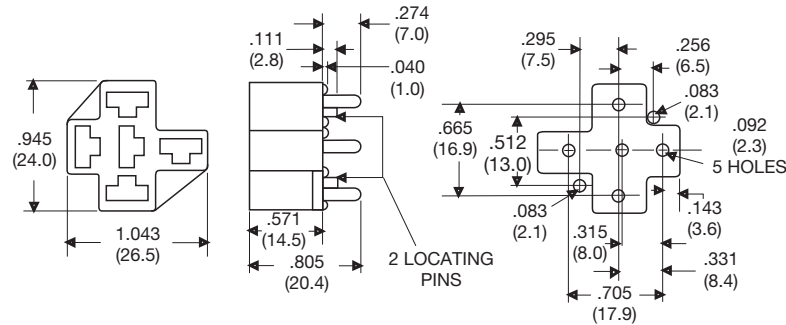


**Connectors for Mini ISO Relays**

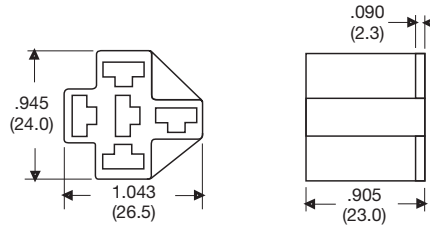
**PCB Socket  
VCF4-1000**

(Mounting Recommendation: To keep insertion force away from the PCB the soldering of the socket to the PCB should be done with already inserted relay).



**Connector  
VCF4-1001**

(Terminals to be ordered separately).

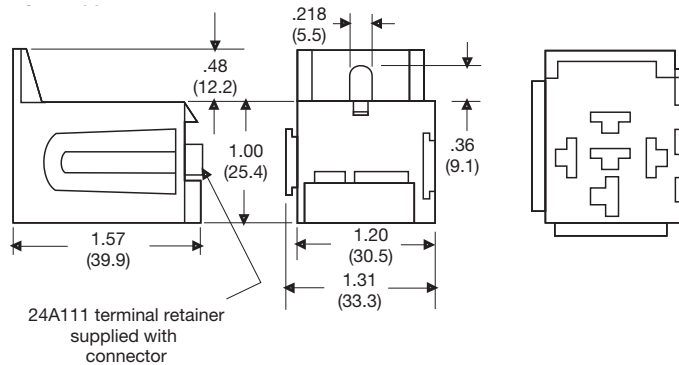


**Connector with Mounting Flap**

(To be mounted individually or can be interlocked).

**VCF4-1002**

(Crimp terminals to be ordered separately).



**Selection of fitting crimp terminals 1) 2)**

| Part numbers for connectors |             | Wire mm <sup>2</sup><br>(AWG)                               | Quantity required |        | Part number for crimp terminals           |
|-----------------------------|-------------|---|-------------------|--------|---|
| Product code                | Part number |   | Form A            | Form C |   |
| VCF4-1000                   | 1393310-3   | -   | -                 | -      | -   |
| VCF4-1001                   | 3-1393310-7 | 1.3 - 3.3 (16-12)<br>0.8 - 2.1 (18-14)                      | 4                 | 5      | 60249-1<br>42281-1                        |
| VCF4-1002                   | 4-1419106-0 | 0.5 - 0.8 (20-18)<br>1.3 - 2.1 (16-14)<br>3.3 - 5.3 (12-10) | 4                 | 5      | 1-1393310-8<br>1-1393310-9<br>2-1393310-0 |

1) Crimp terminals are to be ordered separately.

2) Mentioned crimp terminals are delivered in strip form. Loose pieces and hand tool available on request.

单击下面可查看定价，库存，交付和生命周期等信息

[>>TE Connectivity\(泰科\)](#)