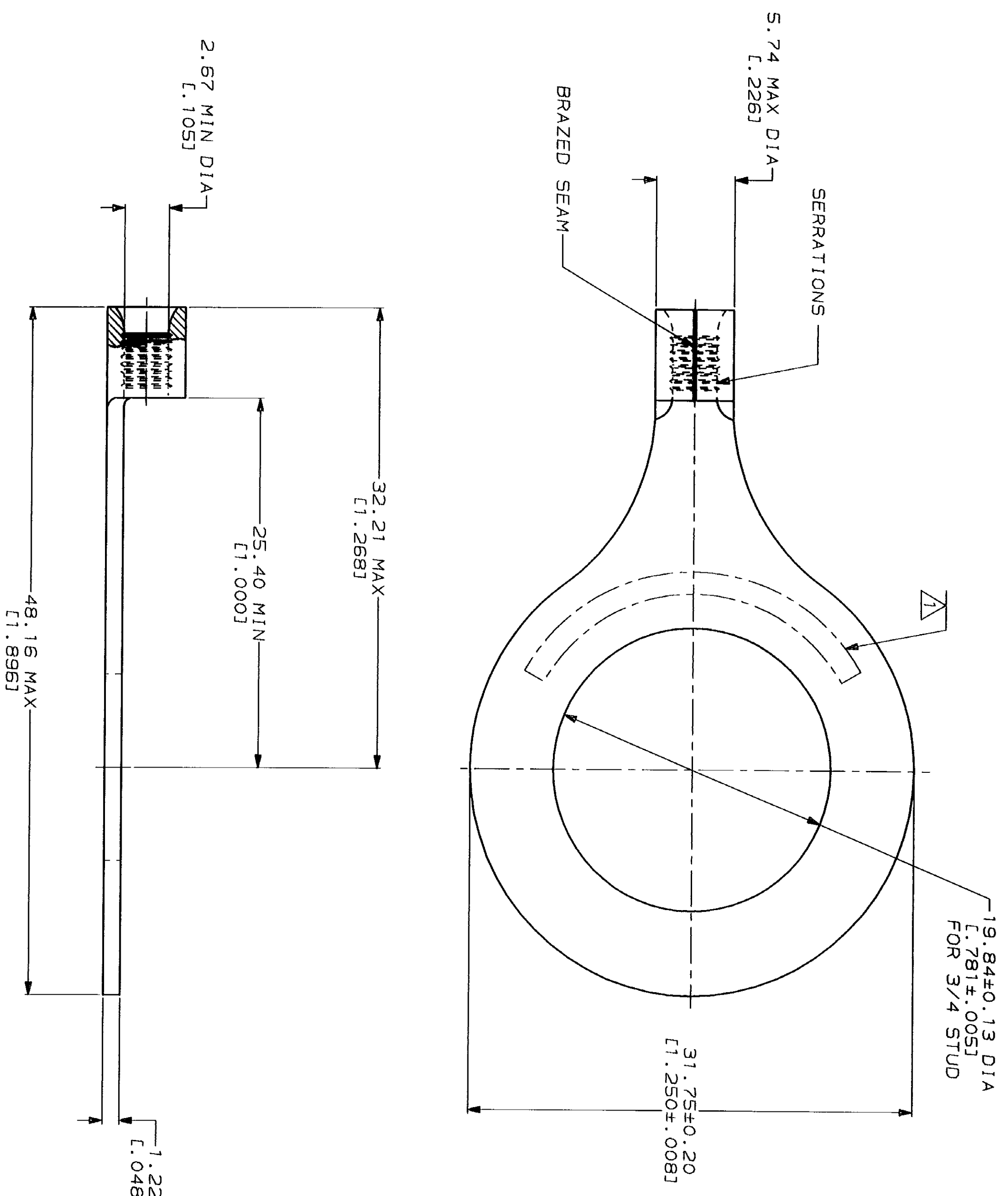


LOC	DIST	ZONE	LTR	DESCRIPTION	DATE	APPD
G	14	P	C	REV & REDRAWN PER 0720-0040-93	3-17-93	16 DAP

METRIOR
 DIMENSIONS LISTED IN mm [INCHES]

AMP WIRE RANGE	UL E13288 Listed
16-14HD AWG SOLID OR STRANDED	16-14HD AWG STRANDED
LR7189 Certified	MILITARY P/N AND CLASS
16-14HD AWG SOLID OR STRANDED	NOT APPLICABLE

△ STAMP AMP 16-14HD* APPROX AS SHOWN



**AMP INCORPORATED
 CUSTOMER SERVICE SYSTEMS**

FOR ADDITIONAL PRODUCT INFORMATION OR COPIES OF DRAWINGS AND TECHNICAL DOCUMENTS	PRODUCT INFORMATION CENTER 1-800-522-6752
FOR APPLICATION TOOLING INFORMATION	TOOLING ASSISTANCE CENTER 1-800-722-1111
FOR ORDER ENTRY	1-800-526-5142

MAX RECOMMENDED OPERATING
 TEMPERATURE: 170°C MAX

DO NOT SCALE PRINT.
 UNLESS SPECIFIED
 DIMENSIONS IN mm - FINISHES -
 TOLERANCES ON:
 2 PLC DEC ±
 3 PLC DEC ±
 ANGLES
 MATERIAL
 COPPER PER
 ASTM B-152
 ANNEALED

DR 3-17-93 TA BRINKMAN
CHK 3-17-93 DA PATTERSON
APPD 3-17-93 DE MILLER
APPD 3-17-93 JL MECKLEY

AMP
 AMP Incorporated
 Harrisburg, PA 17105-3608

TERMINAL, RING TONGUE,
 HEAVY DUTY, SOLISTRAND™

FINISH
 TIN PLATE
 0.0025AL.000100] MIN
 THK PER MIL-T-10727

APPLICATION SPEC
WEIGHT

SIZE	CAGE CODE	DRAWING NO
SCALE	4:1	320759
		SHEET
		1 OF 1

单击下面可查看定价，库存，交付和生命周期等信息

[>>TE Connectivity\(泰科\)](#)