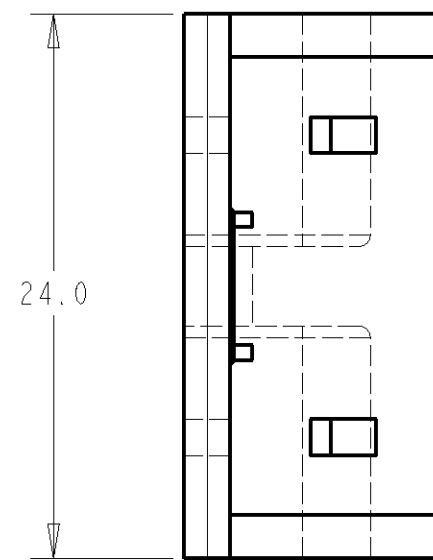
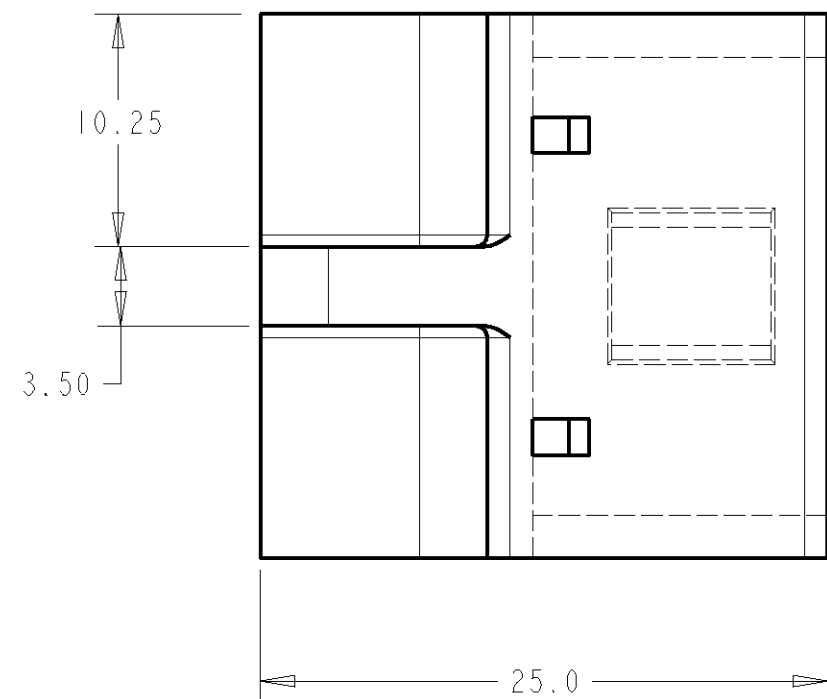
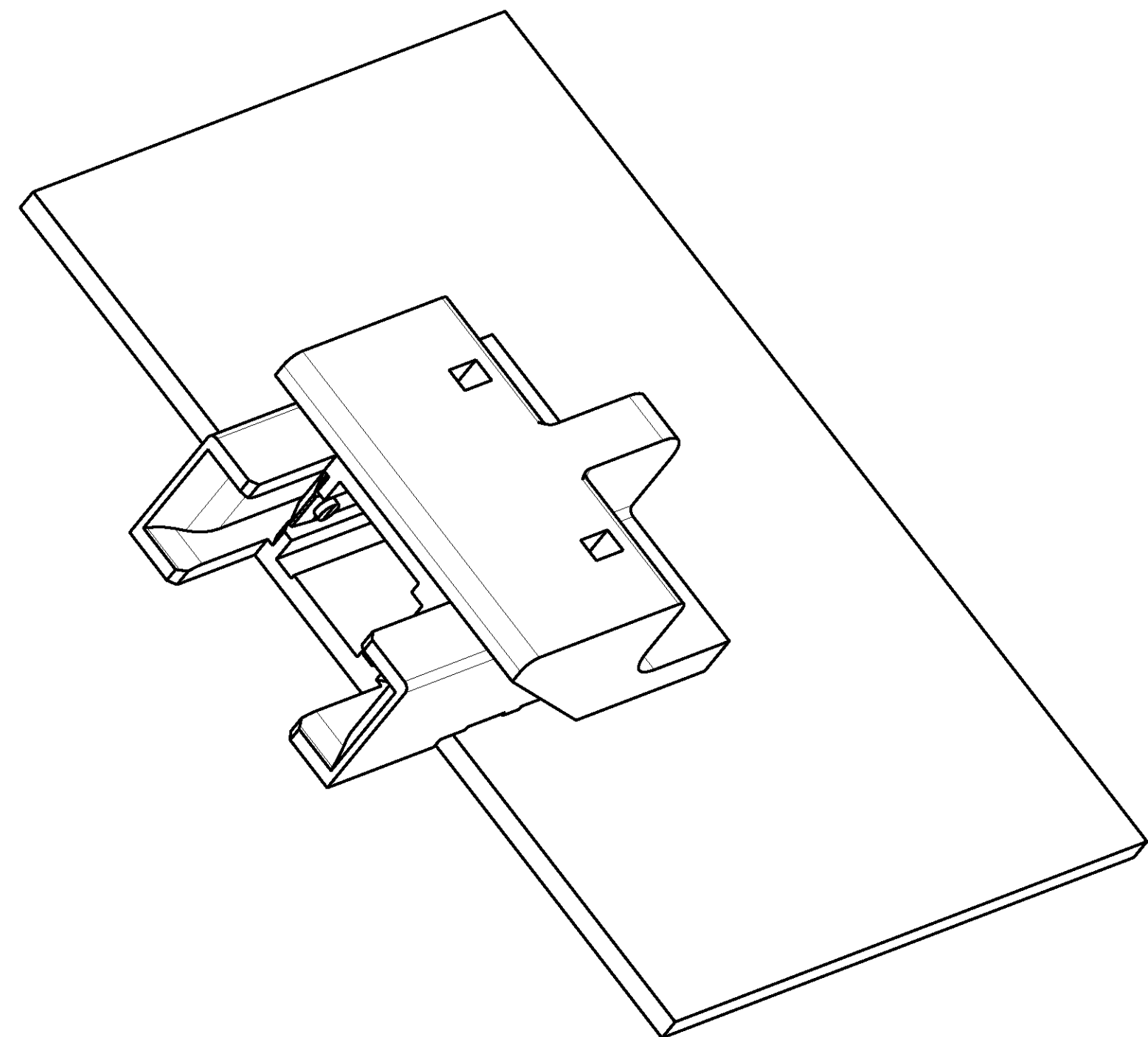


THIS DRAWING IS UNPUBLISHED. RELEASED FOR PUBLICATION .19  
 © COPYRIGHT 19 BY AMP INCORPORATED. ALL RIGHTS RESERVED.

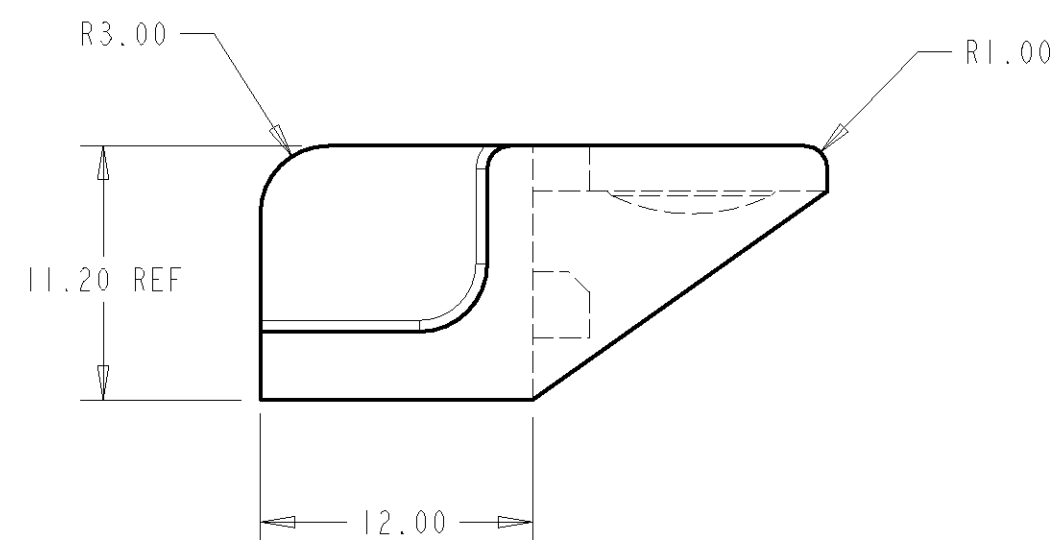
LOC	DIST	REVISIONS					
CE	16	F	LTR	DESCRIPTION	DATE	DWN	APVD
			0	DRAWN	04AUG98	JDL	LAB



△ MATERIAL: ELASTOMER  
 ARNITEL PL460S  
 FLAMABILITY RATING: UL94V-0  
 COLOR: BLACK



SCALE 3:1



1278201-1  
 PART NUMBER

THIS DRAWING IS A CONTROLLED DOCUMENT FOR AMP INCORPORATED. IT IS SUBJECT TO CHANGE AND THE CONTROLLING ENGINEERING ORGANIZATION SHOULD BE CONTACTED FOR THE LATEST REVISION.		DWN J. LOCONDRO 04AUG98	AMP Incorporated Harrisburg, PA 17105-3608	
DIMENSIONS: mm		CHK L. BARKUS 04AUG98	NAME <b>AMP</b> DUST COVER MPX DAUGHTERCARD HOUSING	
TOLERANCES UNLESS OTHERWISE SPECIFIED: 0 PLC ± 1 PLC ±0.3 2 PLC ±0.02 3 PLC ±0.005 4 PLC ±0.0005 ANGLES ±1		APVD L. BARKUS 04AUG98		
MATERIAL		PRODUCT SPEC	SIZE A2	CAGE CODE 00779
FINISH		APPLICATION SPEC	DRAWING NO. C-1278201	RESTRICTED TO
		WEIGHT	SCALE 3:1	SHEET 1 OF 1
		CUSTOMER DRAWING	REV 0	

单击下面可查看定价，库存，交付和生命周期等信息

[>>TE Connectivity\(泰科\)](#)