

4

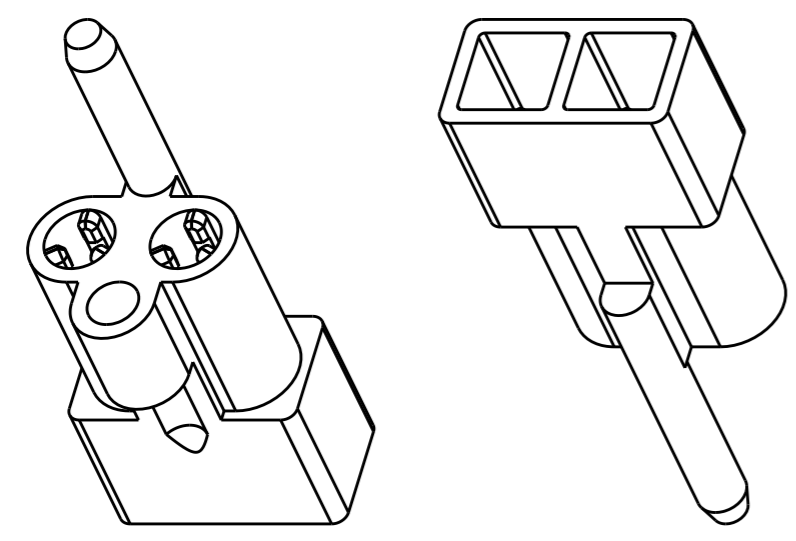
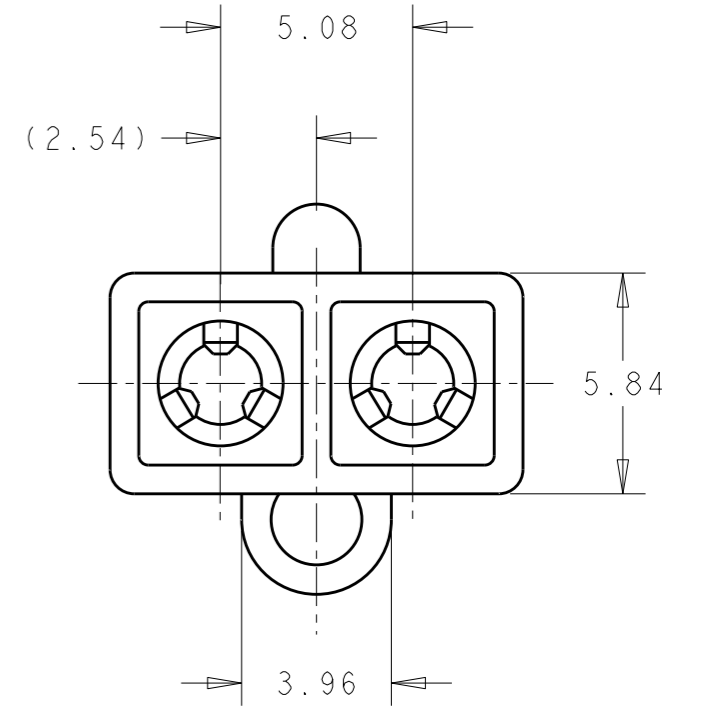
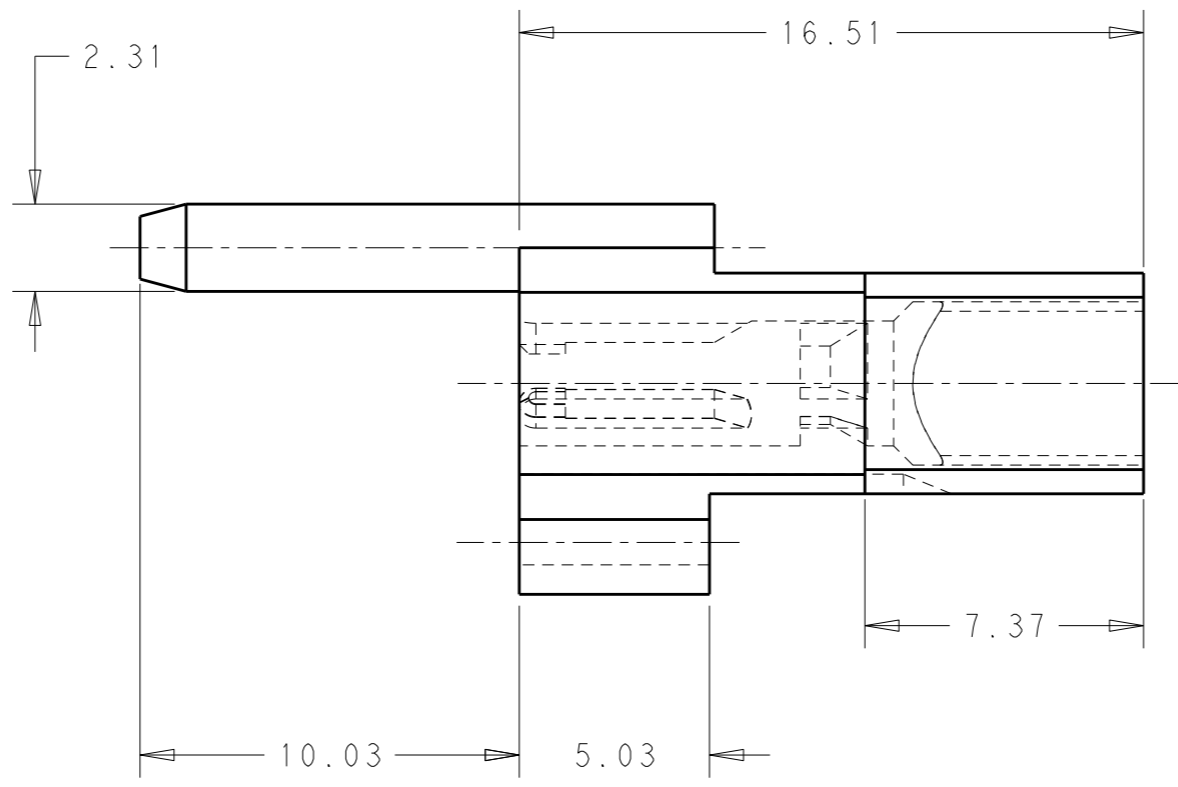
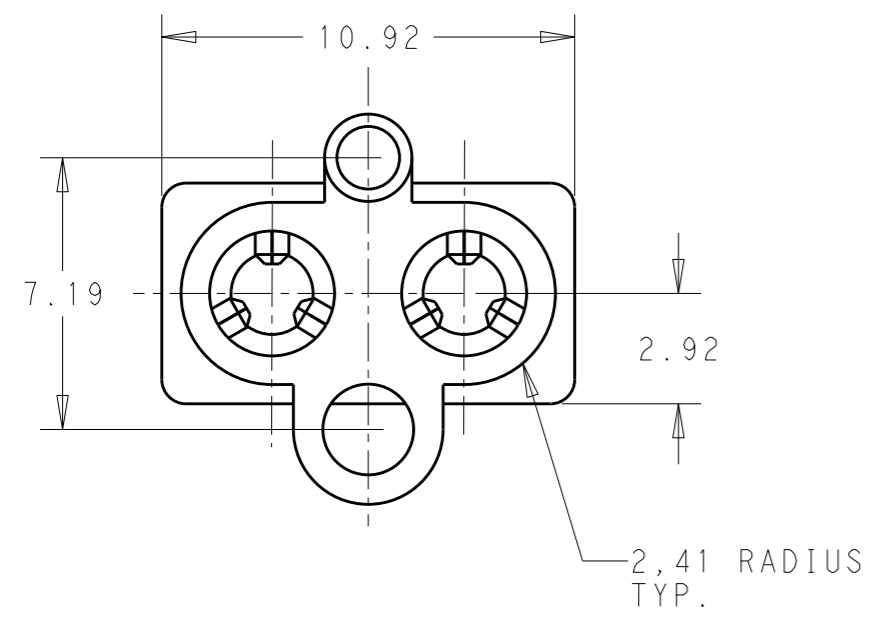
3

2


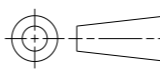
1

THIS DRAWING IS UNPUBLISHED. RELEASED FOR PUBLICATION 20
 © COPYRIGHT 20 BY - ALL RIGHTS RESERVED.

LOC	DIST	REVISIONS			
P	LTR	DESCRIPTION	DATE	DWN	APVD
AP	-	AB	REVISED BY ECO-11-014179	07FEB2012	HC WLS



NATURAL	PA - 6.6	152302-5
FINISH	MATERIAL	PART NUMBER

THIS DRAWING IS A CONTROLLED DOCUMENT.		DWN H.C. CANTERI 29APR2011	 TE Connectivity	
DIMENSIONS: mm		CHK W.L. STEFANI 29APR2011		
		APVD -	NAME 2 WAY SOCKET HOUSING FOR P.C. BOARD	
TOLERANCES UNLESS OTHERWISE SPECIFIED:		PRODUCT SPEC -	RESTRICTED TO -	
0 PLC ±- 1 PLC ±0,4 2 PLC ±0,4 3 PLC ±- 4 PLC ±- ANGLES ±1		APPLICATION SPEC -	SIZE A3	CAGE CODE -
MATERIAL -	FINISH -	WEIGHT -	DRAWING NO C-152302	SCALE 5/1
CUSTOMER DRAWING		SHEET 1 OF 1		REV AB

单击下面可查看定价，库存，交付和生命周期等信息

[>>TE Connectivity\(泰科\)](#)