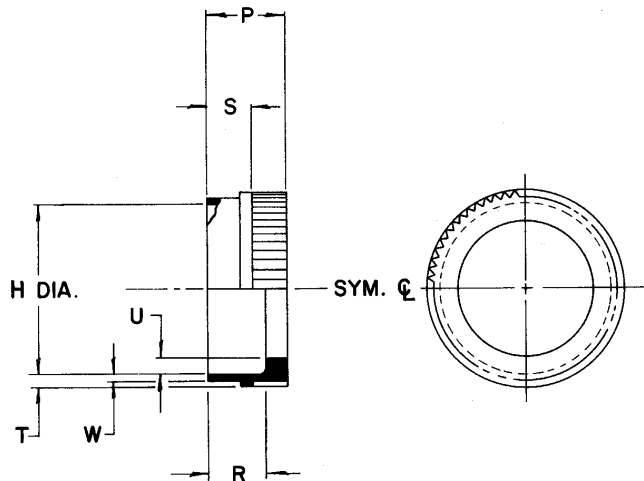


THE MOFIT • SPECIFICATION CONTROL DRAWING • MOLDED PARTS

NOTES

- All dimensions are in inches; all angles are in degrees.
- Dimensions appearing in table below are as follows:
a - As supplied b - After unrestricted recovery
- Weight shown in table of dimensions is based on polyolefin part.



ORDERING INFORMATION

Matl No.	Description	Rayclad Matl. Spec.	Specific Grav. Max.
3	Polyolefin	RT 301	1.40
4	Flex Poly	RT 1304	1.40

Add material number as suffix to part number;
Example - Order 201A711-3 when polyolefin is required.

TABLE OF DIMENSIONS

PART NO.	H		P		R		S		T		U		W		Weight lbs.	
	Min a	±5% b	Min a	±10% b	Min a	±10% b	Min a	±10% b	Min a	±20% b	Max a	Max b	Max a	±20% b	Max	Max
201A711-	.57	.51	—	.44	—	.32	—	.25	—	.10	—	.06	—	.03	—	.0024
201A722-	.70	.62	—	.44	—	.32	—	.25	—	.10	—	.06	—	.03	—	.0028
201A732-	.78	.68	—	.44	—	.32	—	.25	—	.10	—	.06	—	.03	—	.0032
201A742-	.90	.80	—	.44	—	.32	—	.25	—	.10	—	.06	—	.03	—	.0037
201A752-	1.17	.94	—	.44	—	.32	—	.25	—	.10	—	.06	—	.03	—	.0045
201A772-	1.40	1.16	—	.44	—	.32	—	.25	—	.10	—	.06	—	.03	—	.0054
201A792-	1.62	1.40	—	.44	—	.32	—	.25	—	.10	—	.06	—	.03	—	.0065

PART NO.	This Part Fits Connector Shell Size						Weight lbs.	Max
	MIL-C-26482 Type "E"							
	Cannon	Bendix	Burndy	Deutsch	Amphenol*	NAS 1599**		
201A711-	8	8	8	10	—	—	—	
201A722-	10	10	—	—	—	—	—	
201A732-	12	12	10	12	10	10	—	
201A742-	14	14	12	14	12	12	—	
201A752-	16, 18	16, 18	14, 16	16, 18	14, 16	14, 16	—	
201A772-	20, 22	20, 22	18, 20	20, 22	18	18, 20	—	
201A792-	24	24	22, 24	24	22	22, 24	—	

Raychem

If this document is printed it becomes uncontrolled.
Check for the latest revision.

E.O. HOP
REV VDL
DATE BT

DESCRIPTION
*Amphenol series 48 less clamp.
**1599 with NAS 1665 end bell.
201A722 added.
Flex Poly added. T dim. changed.
T & U dim. changed

DD
CHK'D
AUTH
AUTH

PART DESCRIPTION
SLEEVE, CONNECTOR ADAPTER

PART NO.
201A711 thru 792

DATE September 15, 1973

REV LTR
C

单击下面可查看定价，库存，交付和生命周期等信息

[>>TE Connectivity\(泰科\)](#)