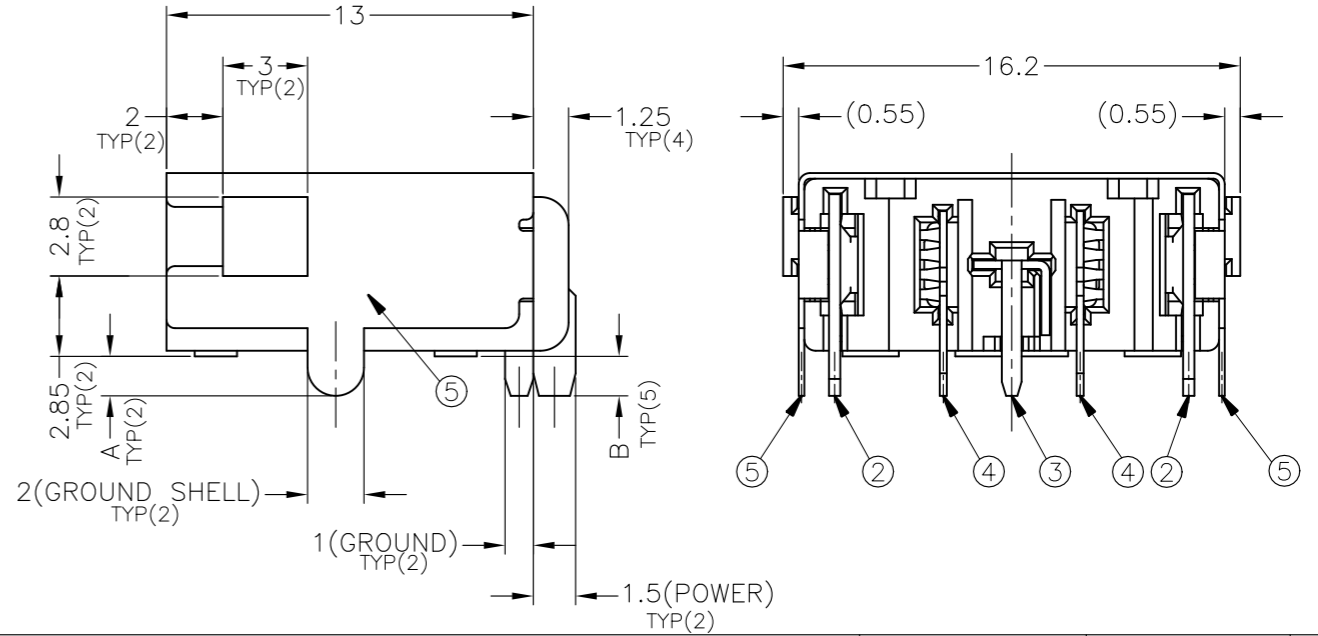
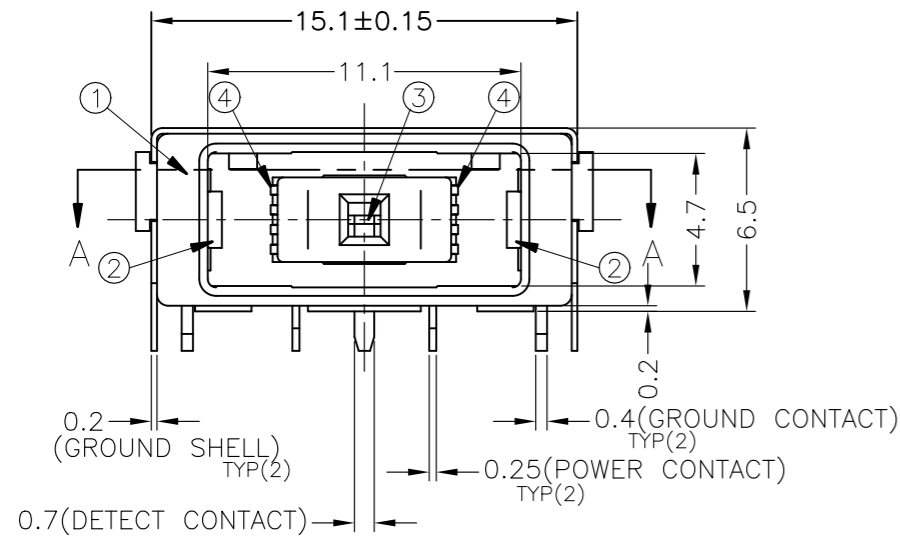
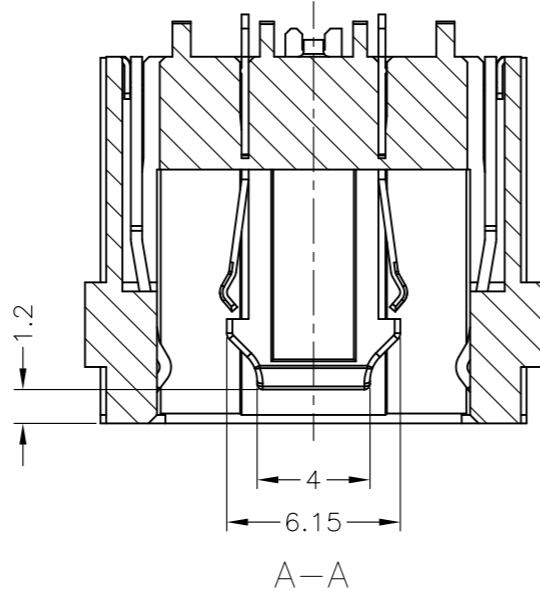
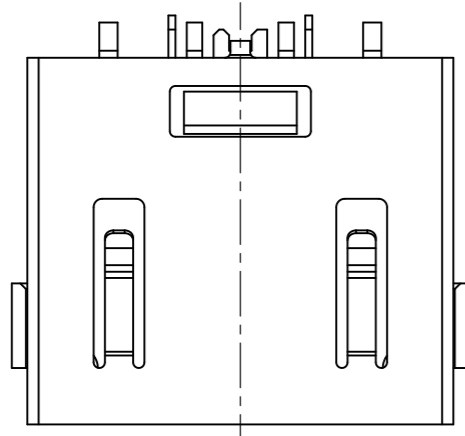


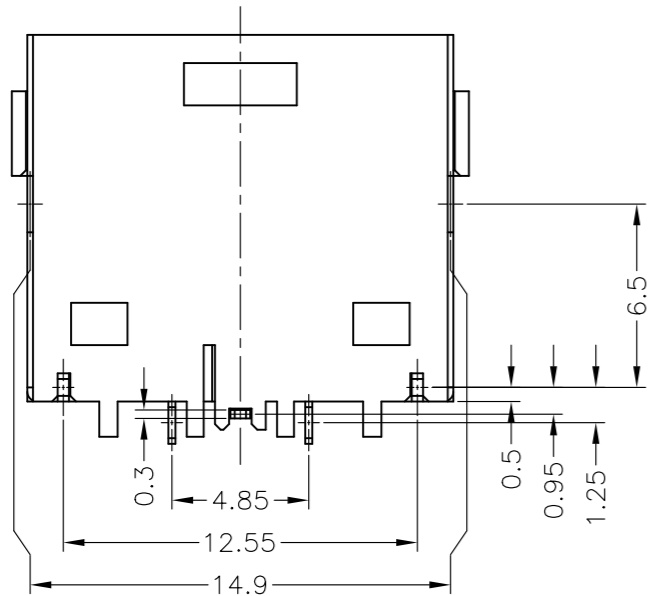
THIS DRAWING IS UNPUBLISHED. RELEASED FOR PUBLICATION - .4:1 .
 © COPYRIGHT - By - ALL RIGHTS RESERVED.

LOC		DIST		REVISIONS			
P	LTR	DESCRIPTION		DATE	DWN	APVD	
	B2	REVISED(ECR-18-000596)		10JAN18	T.Z	H.W	



A'SSY P/N					
	1-2129458-3	1-2129458-2	1-2129458-1	2129458-2	2129458-1
DIM B	2.1	1.2	1.4	1.2	1.4
DIM A	2.1	1.2	1.4	1.2	1.4
Q'TY	1	1	1	1	1

			FINISH/COLOR	MATERIAL	PART NAME	NO.
1	1	1	0.002mm MATTE TIN PLATING ON SOLDER AREA, 0.00127mm MIN. NICKEL UNDERPLATED ALL OVER	COPPER ALLOY	GROUND SHELL	⑤
2	2	2	0.0002mm GOLD PLATING ON CONTACT AREA, 0.002mm MATTE TIN PLATING ON SOLDER AREA, 0.002mm MIN. NICKEL UNDERPLATED ALL OVER	COPPER ALLOY	POWER CONTACT	④
1	1	1	0.0002mm GOLD PLATING ON CONTACT AREA, 0.002mm MATTE TIN PLATING ON SOLDER AREA, 0.002mm MIN. NICKEL UNDERPLATED ALL OVER	COPPER ALLOY	DETECT CONTACT	③
2	2	2	0.0002mm GOLD PLATING ON CONTACT AREA, 0.002mm MATTE TIN PLATING ON SOLDER AREA, 0.002mm MIN. NICKEL UNDERPLATED ALL OVER	COPPER ALLOY	GROUND CONTACT	②
1	1	1	BLACK	HIGH TEMPERATURE THERMO-PLASTIC (UL94V-0)	HOUSING	①



THIS DRAWING IS A CONTROLLED DOCUMENT.

DIMENSIONS: mm

TOLERANCES UNLESS OTHERWISE SPECIFIED:
 0 PLC ±
 1 PLC ±
 2 PLC ±0.25
 3 PLC ±3°
 4 PLC ±
 ANGLES ±

MATERIAL: SEE TABLE

FINISH: -

DWN: S.HUANG 20JUN2012
 CHK: V.PENG 20JUN2012
 APVD: W.KODAMA 20JUN2012

NAME: DC POWER JACK CONNECTOR DIP TYPE (10.7A)

PRODUCT SPEC: 108-99040
 APPLICATION SPEC: 501-99041

WEIGHT: 1.94g

SIZE: A3
 CAGE CODE: 00779
 DRAWING NO: C=2129458

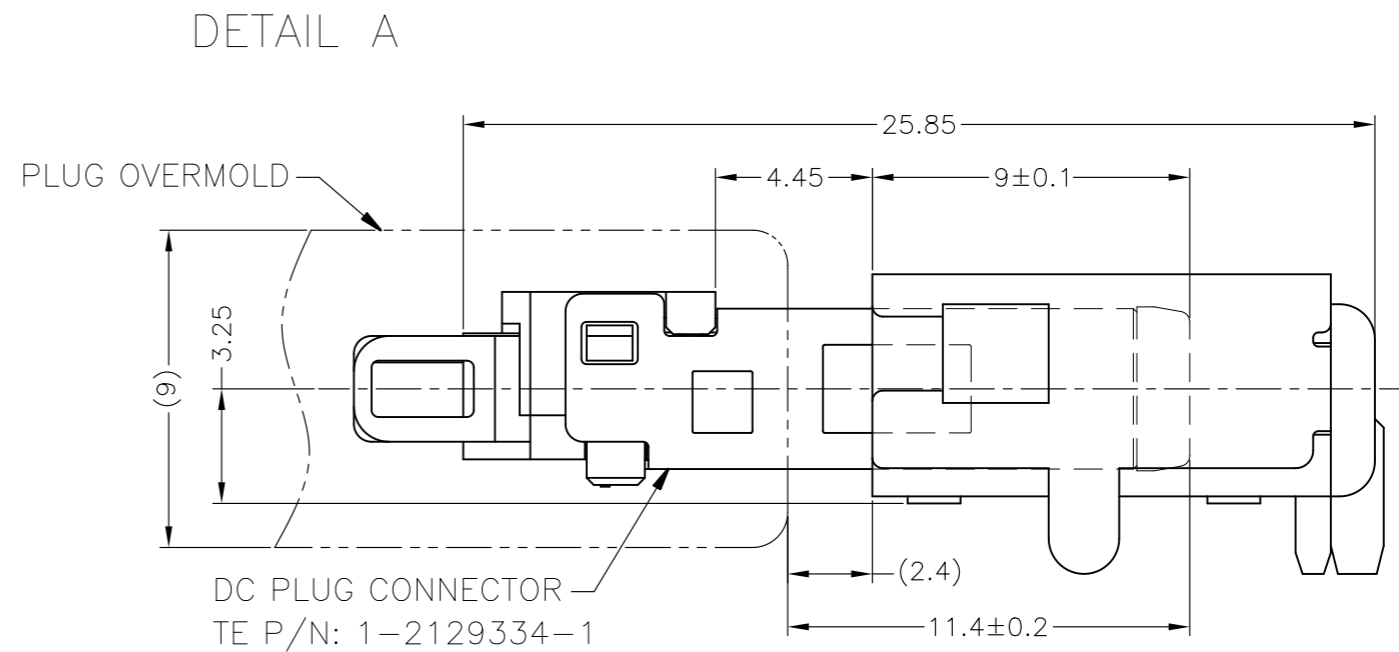
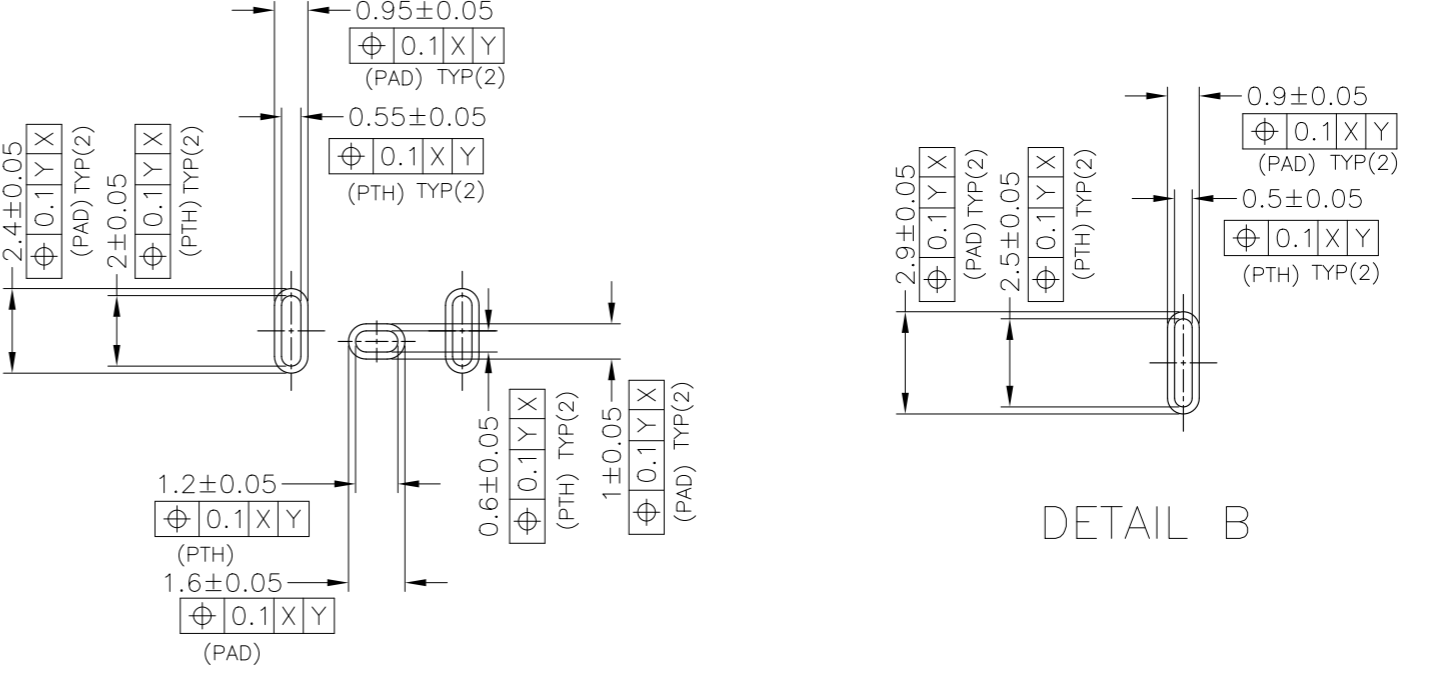
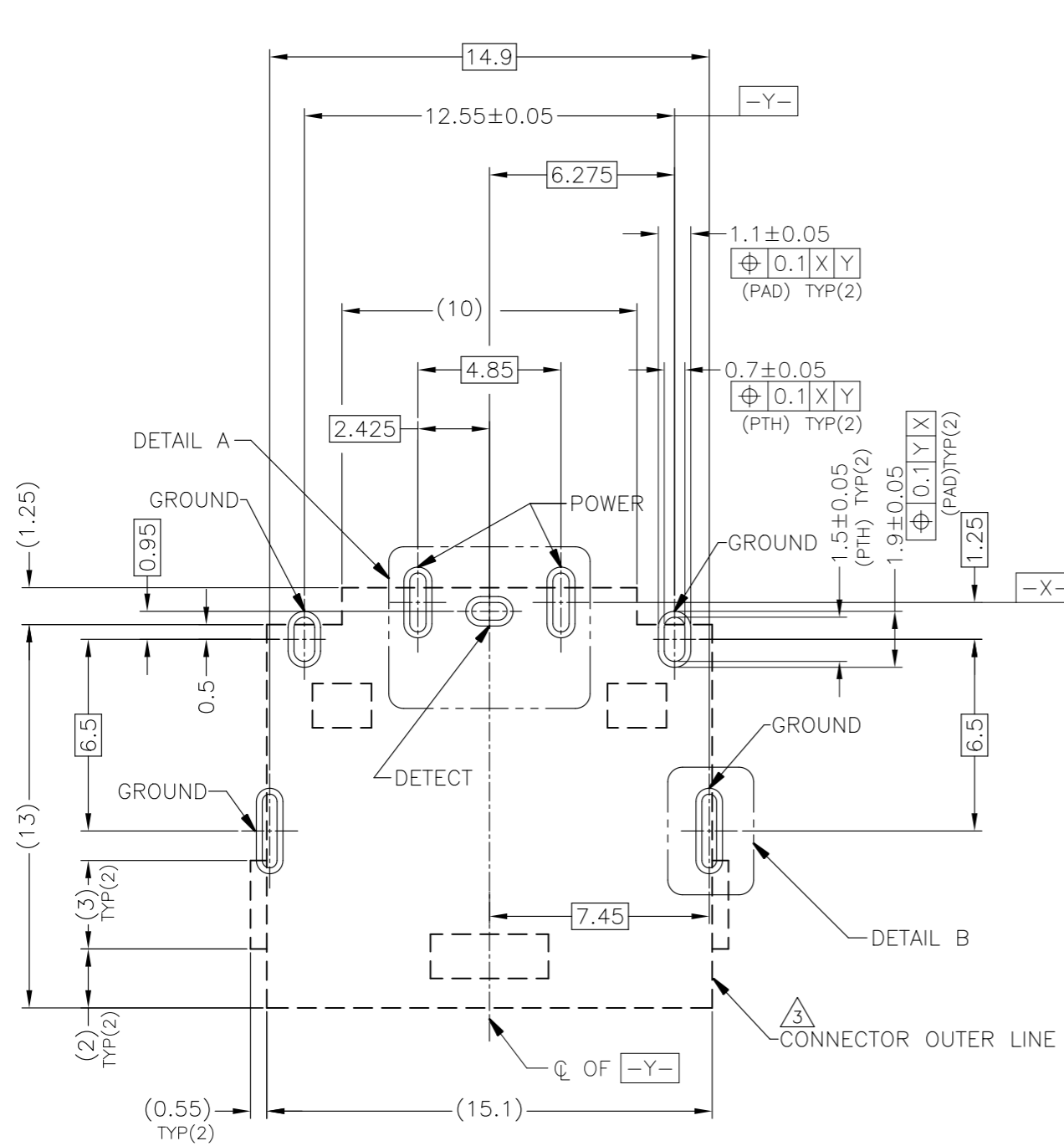
RESTRICTED TO: -

CUSTOMER DRAWING

SCALE: 4:1
 SHEET: 1 of 3
 REV: B2

- EU ROHS-RELATED RESTRICTED SUBSTANCE SPEC IN HOMOGENEOUS MATERIAL REFER TO TEC-138-702 REV.G:
 LEAD < 1000PPM, CADMIUM < 100PPM, MERCURY < 1000PPM
 CHROMIUM VI < 1000PPM, PBB <1000PPM, PBDE < 1000PPM
- HALOGEN FREE SPEC:
 CHLORINE (Cl): 900 ppm MAX.
 BROMINE (Br): 900 ppm MAX.
 CHLORINE (Cl) + BROMINE (Br): 1500 ppm MAX.

LOC	DIST	REVISIONS			
P	LTR	DESCRIPTION	DATE	DWN	APVD
DW		SEE SHEET 1	-	-	-



RECOMMENDED P.C.BOARD PATTERN LAYOUT (TOP VIEW)
 TOLERANCE: ±0.05 (THICKNESS=0.8mm)

⚠ [] : CONNECTOR OUTER LINE (NO COMPONENT AREA)

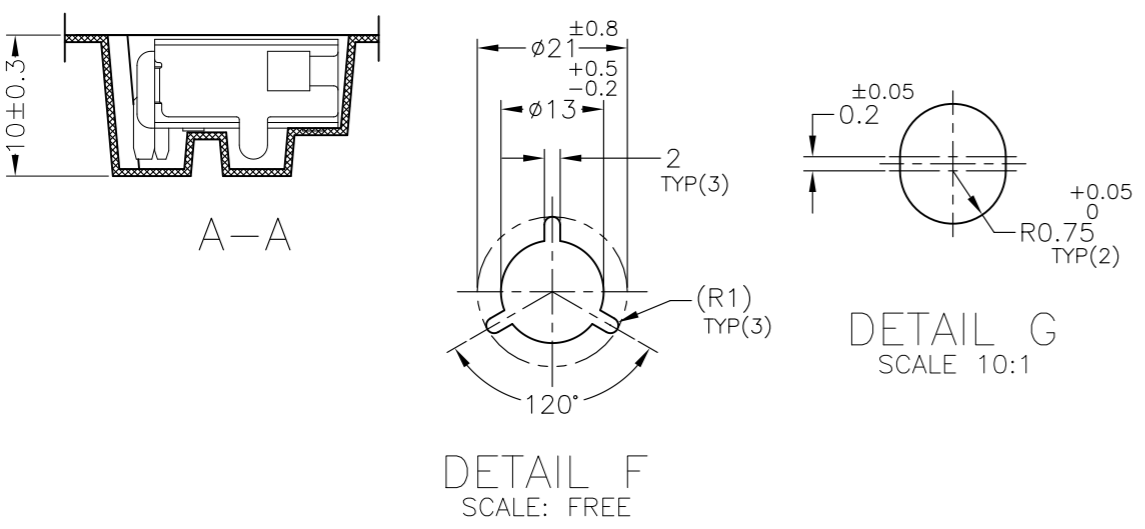
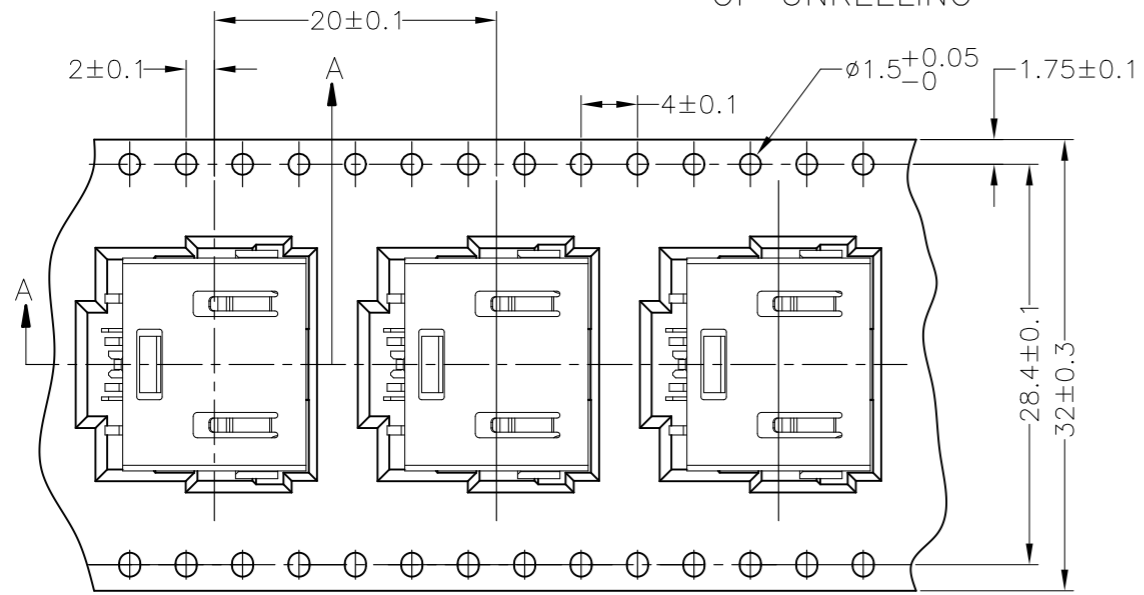
THIS DRAWING IS A CONTROLLED DOCUMENT.		DWN		TE Connectivity NAME DC POWER JACK CONNECTOR DIP TYPE (10.7A)	
DIMENSIONS: mm		CHK			
TOLERANCES UNLESS OTHERWISE SPECIFIED:		APVD			
0-PLC ±- 1-PLC ±- 2-PLC ±- ±0.25 3-PLC ±- ±3 4-PLC ±- ANGLES ±-		PRODUCT SPEC			
MATERIAL		WEIGHT		APPLICATION SPEC	
FINISH		SIZE		CAGE CODE	
		A3		00779	
		DRAWING NO		RESTRICTED TO	
		C=2129458			
CUSTOMER DRAWING		SCALE		SHEET	
		5:1		2 of 3	
				REV B2	

THIS DRAWING IS UNPUBLISHED. RELEASED FOR PUBLICATION
 © COPYRIGHT - By - ALL RIGHTS RESERVED.

LOC	DIST	REVISIONS					
DW		P	LTR	DESCRIPTION	DATE	DWN	APVD
			-	SEE SHEET 1	-	-	-



4. SHIPPING BOX DIMENSION: 445mmX445mmX270mm



450	5	2250
PCS/REEL	REEL/SHIPPING BOX	TOTAL Q'TY

THIS DRAWING IS A CONTROLLED DOCUMENT.		DWN		-		 TE Connectivity NAME DC POWER JACK CONNECTOR DIP TYPE (10.7A)					
DIMENSIONS:		CHK		-							
mm		APVD		-							
TOLERANCES UNLESS OTHERWISE SPECIFIED:		PRODUCT SPEC		-							
0 PLC ± - 1 PLC ± - 2 PLC ± - 3 PLC ± - 4 PLC ± - ANGLES ± -		APPLICATION SPEC		-		SIZE	CAGE CODE	DRAWING NO	RESTRICTED TO		
MATERIAL		FINISH		WEIGHT		A3	00779	C=2129458	-		
CUSTOMER DRAWING						SCALE	NA	SHEET	3 of 3	REV	B2

单击下面可查看定价，库存，交付和生命周期等信息

[>>TE Connectivity\(泰科\)](#)