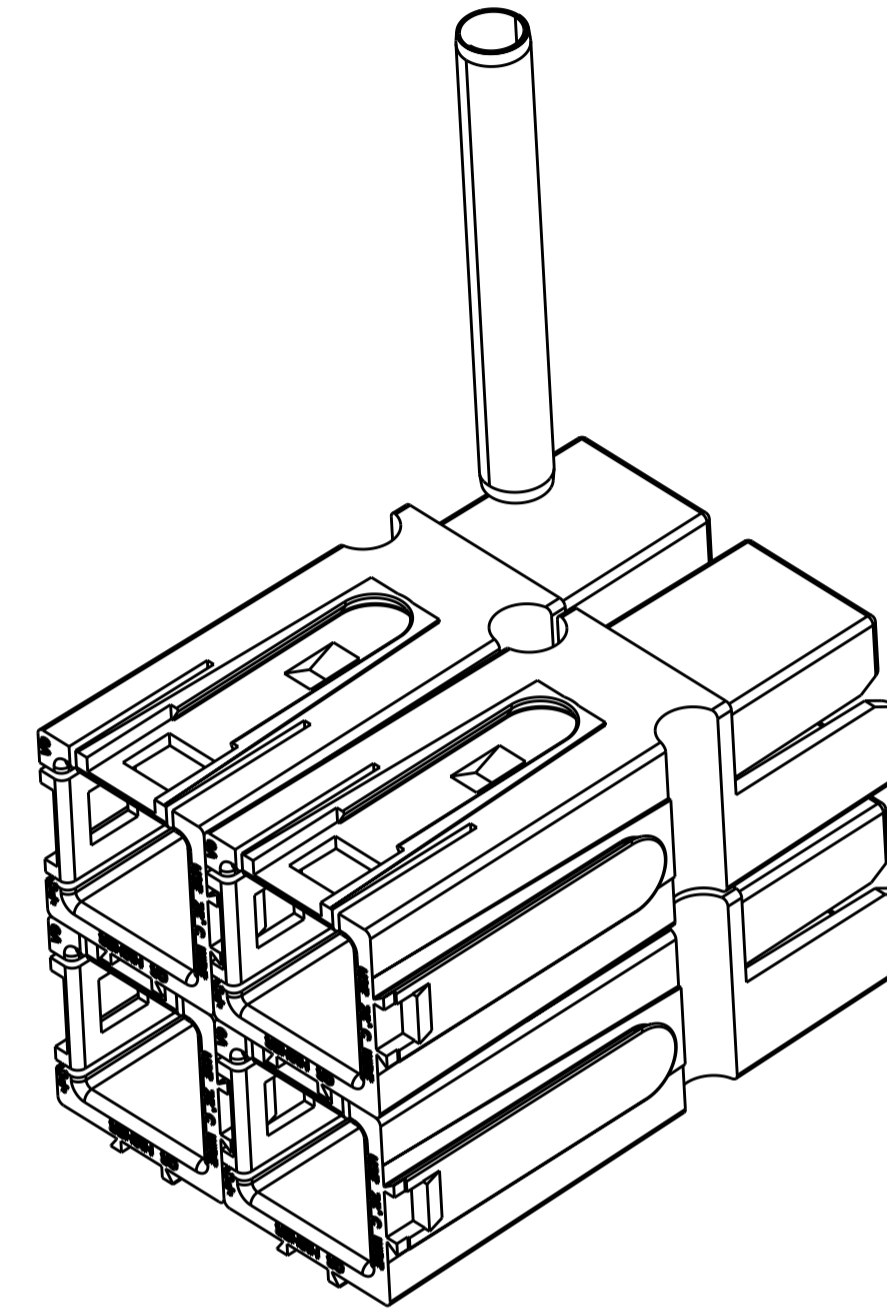
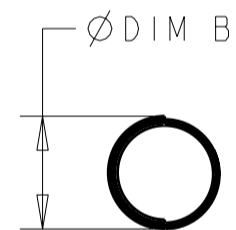
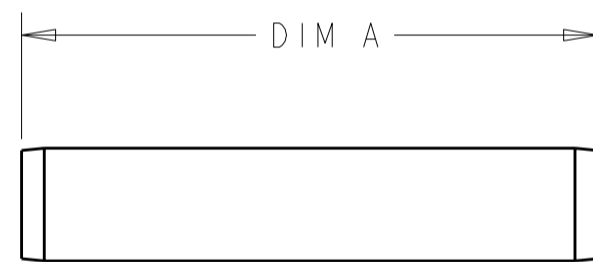
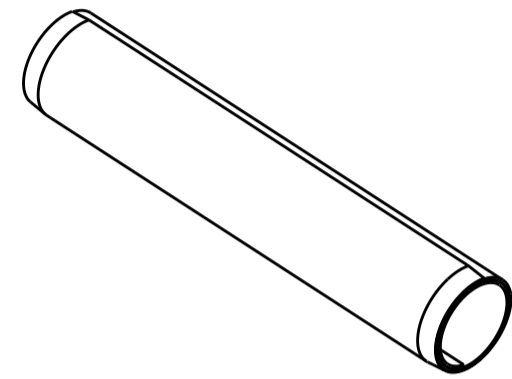


THIS DRAWING IS UNPUBLISHED. RELEASED FOR PUBLICATION 20
 © COPYRIGHT 20 BY ALL RIGHTS RESERVED.

LOC	DIST	REVISIONS			
P	LTR	DESCRIPTION	DATE	DWN	APVD
CM	00				
P		REVISED PER ECO-11-005140	23MAR2011	RK	HMR



TYPICAL USES

⚠ OBSOLETE PARTS: OBSOLETE CIS STREAMLINING PER D.RENAUD/D.SINISI

⚠ OBSOLETE

2.36-2.51	21.59	1445886-6
2.51-2.69	11.18	1445886-5
2.49-2.62	6.35	1445886-4
5-5.25	38.10	1445886-3
5-5.25	25.40	1445886-2
5-5.25	14.22	1445886-1
Ø DIM B	DIM A	PART NUMBER

METRIC

THIS DRAWING IS A CONTROLLED DOCUMENT.		DWN	BH	15OCT01	 TE Connectivity	
DIMENSIONS:		CHK	KAK	15OCT01		
mm		APVD	KAK	15OCT01		
		PRODUCT SPEC				
TOLERANCES UNLESS OTHERWISE SPECIFIED:		APPLICATION SPEC			NAME	RETAINER PIN, POWER PRODUCT
0 PLC	±-	WEIGHT		-	SIZE	A2
1 PLC	±-	CUSTOMER DRAWING			CAGE CODE	00779
2 PLC	±0.13	SCALE		3:1	DRAWING NO	C-1445886
3 PLC	±-	SHEET		1	RESTRICTED TO	-
4 PLC	±-	OF		1	REV	P
ANGLES	±-	REV				
FINISH	PASSIVATED					

单击下面可查看定价，库存，交付和生命周期等信息

[>>TE Connectivity\(泰科\)](#)