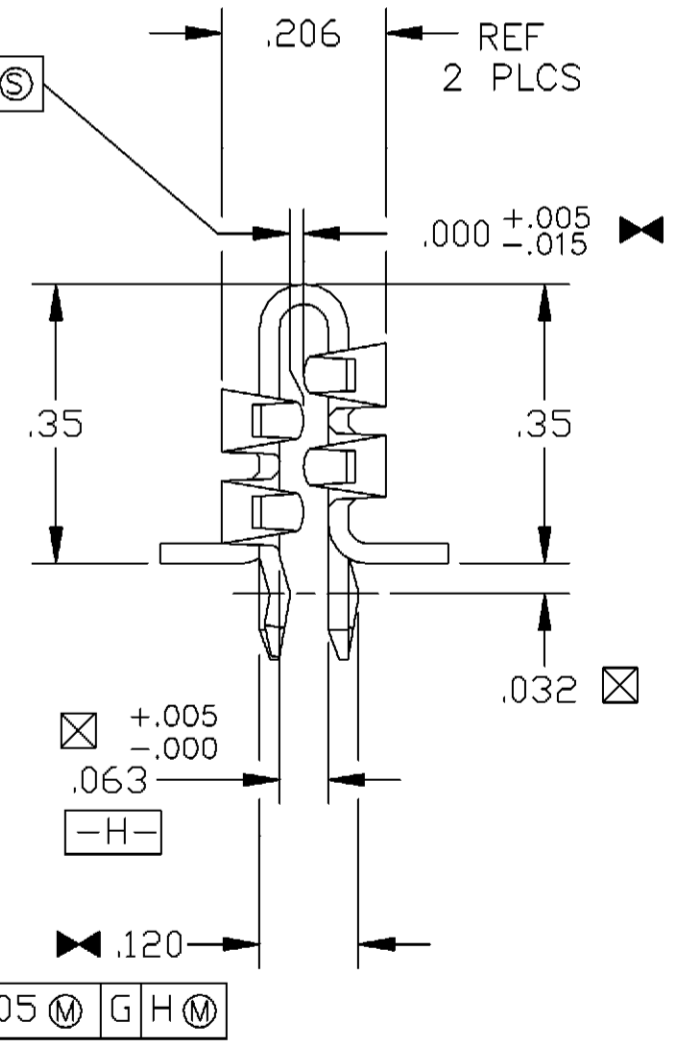
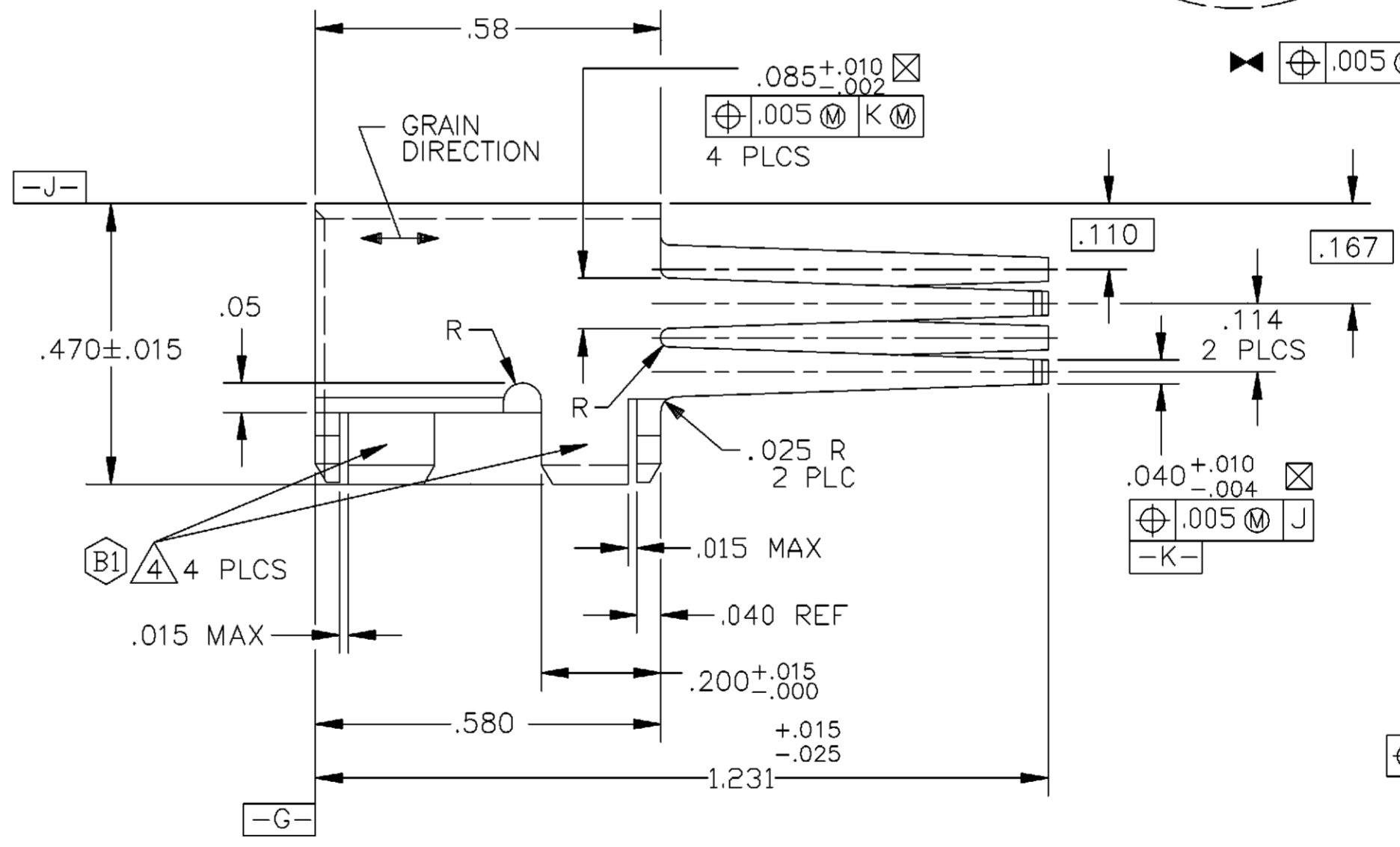
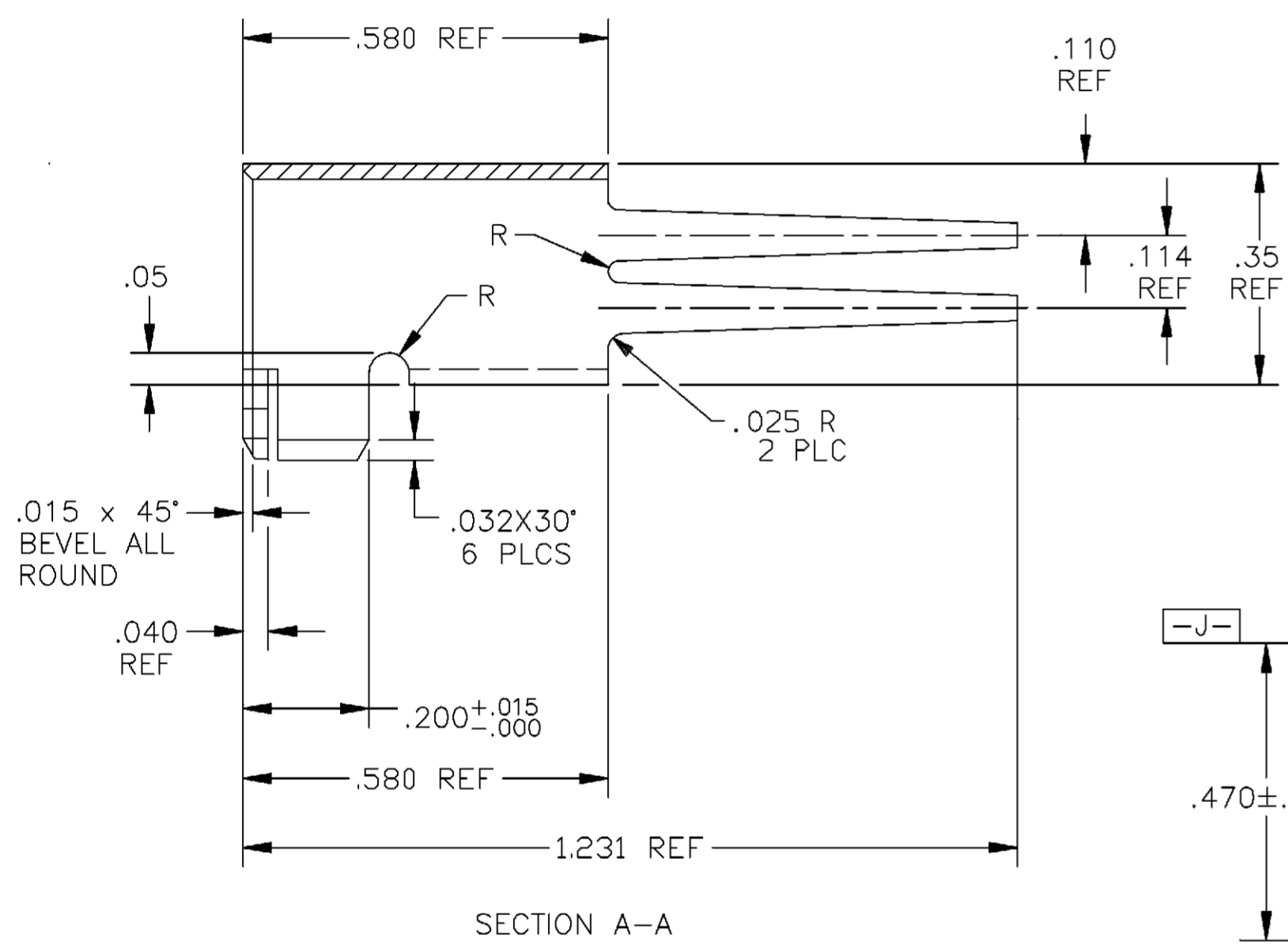
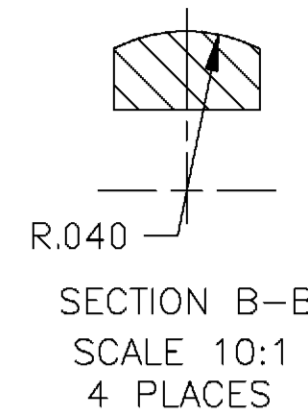
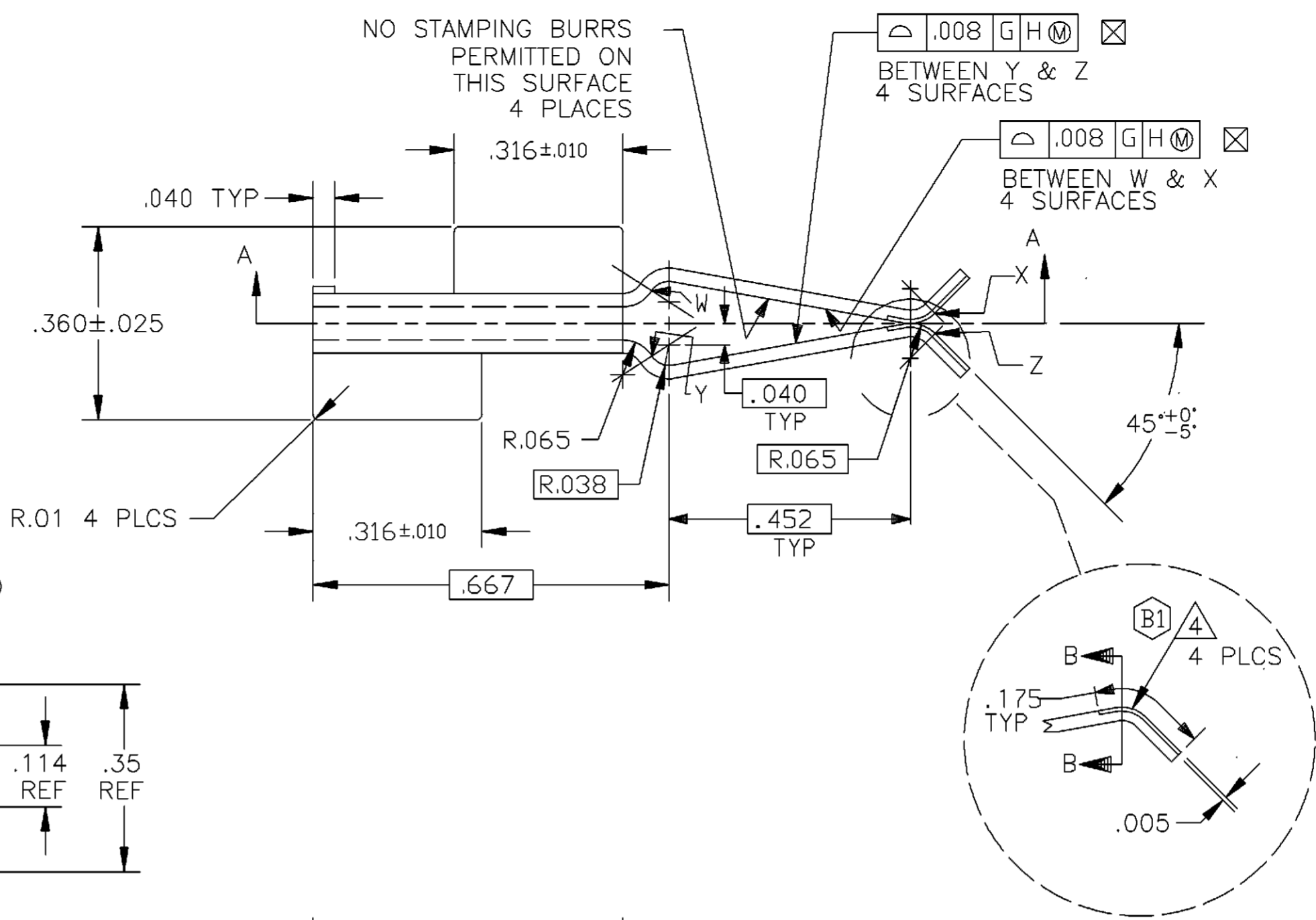


83952  
 THIS DRAWING IS A CONTROLLED DOCUMENT FOR AMP INCORPORATED. IT IS SUBJECT TO CHANGE AND THE CONTROLLING ENGINEERING ORGANIZATION SHOULD BE CONTACTED FOR THE LATEST REVISION.

- 1 FINISH: PLATE .000250-.000350 THK SILVER, AMP 112-32-2 (INCLUDING ANTI-TARNISH TREATMENT), OVER .000050-.000100 THK NICKEL, AMP 112-25-2.
- 2 LUBRICATE ENTIRE TERMINAL WITH MILLER STEPHENSON MS-181 OR EQUIVALENT AFTER PLATING
- 3 SURFACE AREA 1.51 SQ IN
- 4 TARNISH NOT ALLOWED IN CRITICAL AREAS - CONTACT AREAS ON SPRING MEMBERS - 4 PLCS.

B1



LOC  
BG  
DIST  
5

REV	DESCRIPTION	DATE	BY	CHKD
B1	REV PER LC00-0084-98	05AUG98	MM	RK
B	REV PER LC00-0043-96	02APR96	PC	BJ
A	REV PER LC00-0078-95	06SEP95	MC	BJ
0	RELEASE PER LC00-0026-95	14MAR95	GG	GG
P	LTR		DWN	APVD

LEGEND	
	SPC CONTROLLED DIMENSION
	MAJOR DIMENSION
DIMENSIONS:	
INCHES	
	TOLERANCES UNLESS OTHERWISE SPECIFIED.
0 PLC	±-
1 PLC	±-
2 PLC	±.02
3 PLC	±.005
4 PLC	±-
ANGLES ± 0°-30°	
SURFACE TEXTURE 32 REMOVE BURRS, BREAK SHARP EDGES R.015 MAX.	

UNPLATED FINISH	83952-1	83952-2
GEORGE GEE	703397-7	83952-1
J. SADABA	MATERIAL	PART NO.
G. GOTO	SEE TABLE	NONE
NAME: CONNECTOR, BOARD MOUNT STYLE, 062 SERIES, PLUGGABLE BUS BAR CONNECTOR		
SCALE: 4:1	SIZE: A2	DRAWING NO: 83952
SHEET: 1 OF 1	REV: B1	

单击下面可查看定价，库存，交付和生命周期等信息

[>>TE Connectivity\(泰科\)](#)