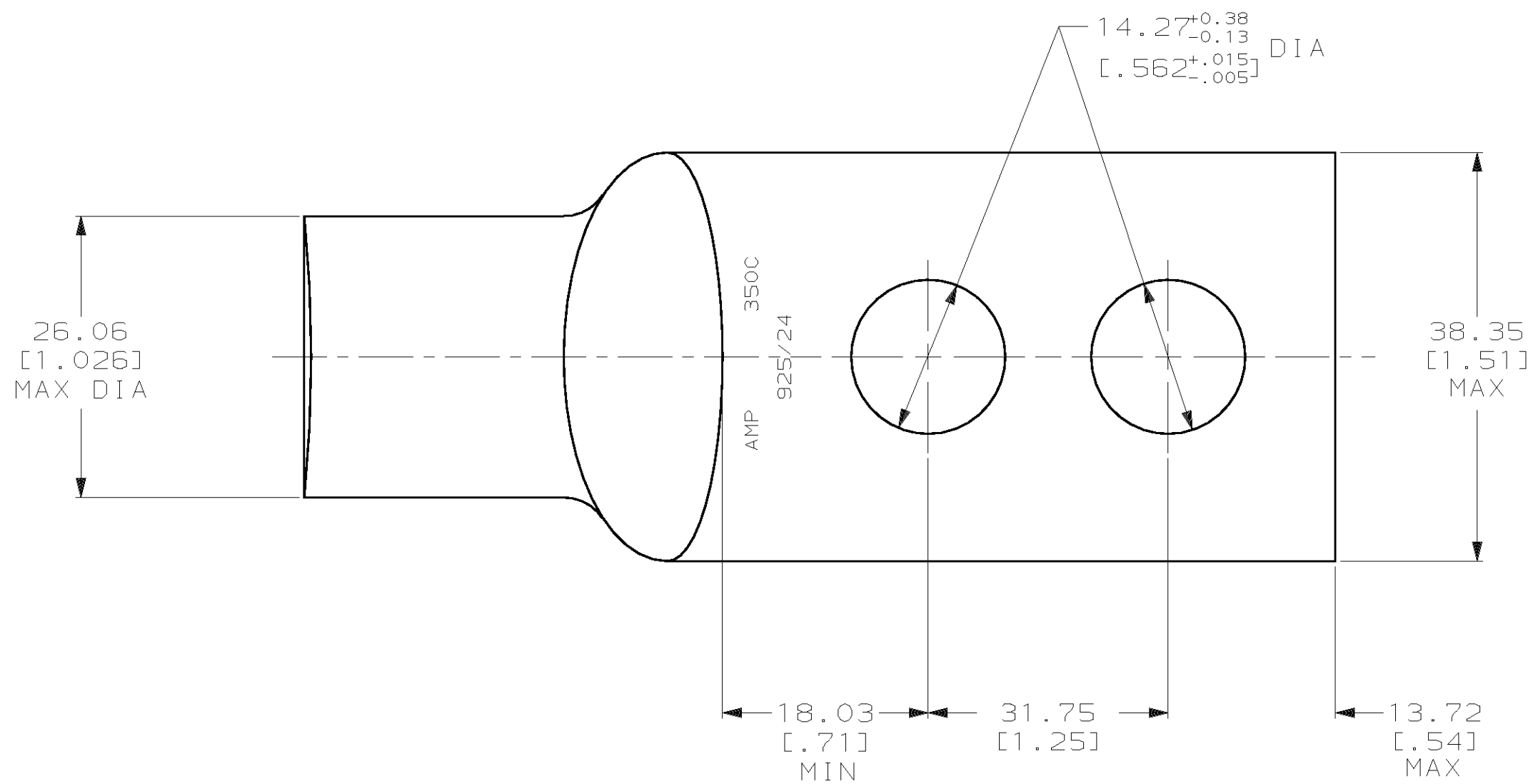
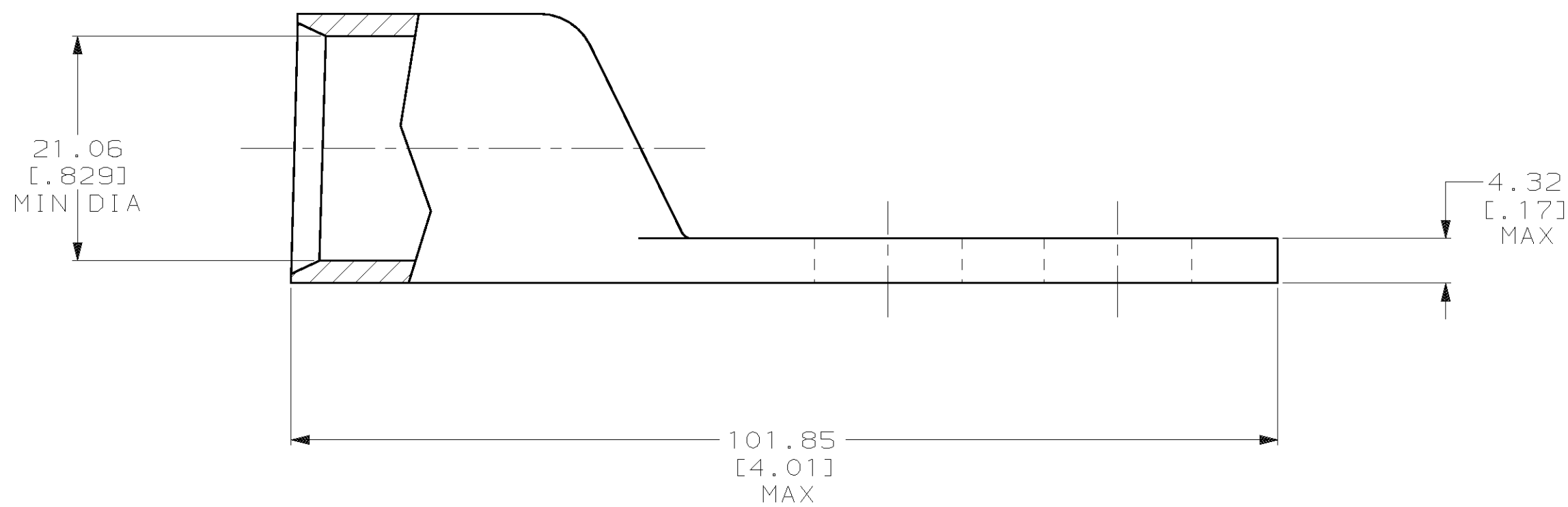


THIS DRAWING IS UNPUBLISHED. RELEASED FOR PUBLICATION  
 © COPYRIGHT 19 BY AMP INCORPORATED. ALL INTERNATIONAL RIGHTS RESERVED.

LOC		DIST		P		F		ZONE		LTR		REVISIONS		DATE	APPD
G		86										REV PER 063A-0561-01		080CT02	JR/MS



1 CIRCULAR MIL AREA RANGE: 325-375 MCM  
 2 TIN PL 0.00381 [0.000150] MIN THK PER MIL-T-10727



**METRIC**

DO NOT SCALE PRINT. UNLESS SPECIFIED DIMENSIONS IN mm [INCHES] TOLERANCES ON : 2 PLC DEC ± 0.51 [0.020] 3 PLC DEC ± - ANGLES ± -		DR 03/09/90 DK SCHRUM		325926-1	
MATERIAL ANNEALED COPPER ASTM B-75		CHK 23JAN95 MS FEHER		PART NO	
FINISH		APPD 23JAN95 WJ VOCKROTH		AMP INCORPORATED Harrisburg, Pa. 17105	
APPLICATION SPEC -		APPD 23JAN95 TL SHUTTER		NAME	
WEIGHT .259 LB		PRODUCT SPEC 108-30200		TERMINAL, AMPPOWER™ WIRE SIZE: 350 MCM	
SCALE 2:1		APPLICATION SPEC -		DRAWING NO 325926	
CAGE CODE 00779		WEIGHT .259 LB		SHEET 1 OF 1	

单击下面可查看定价，库存，交付和生命周期等信息

[>>TE Connectivity\(泰科\)](#)