

THIS DRAWING IS UNPUBLISHED. RELEASED FOR PUBLICATION
 © COPYRIGHT BY TYCO ELECTRONICS CORPORATION. ALL RIGHTS RESERVED.

| LOC | DIST | REVISIONS | | | | | |
|-----|------|-----------|-----|-----------------------|----------|-----|------|
| | | P | LTR | DESCRIPTION | DATE | DWN | APVD |
| J | — | A | | REVISED ECR-08-015164 | 16JUN'08 | J.S | S.M |

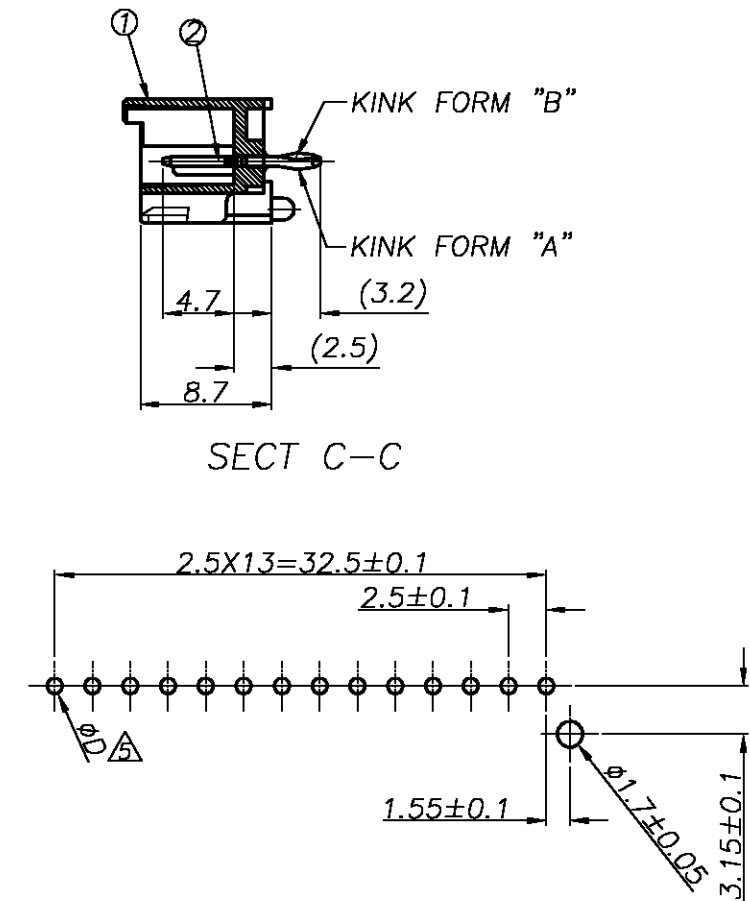
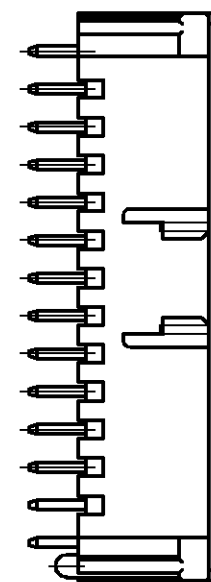
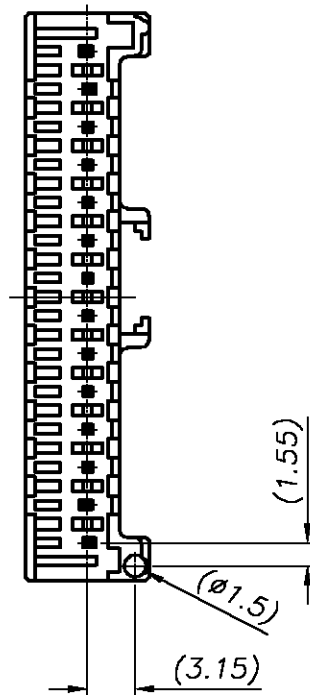
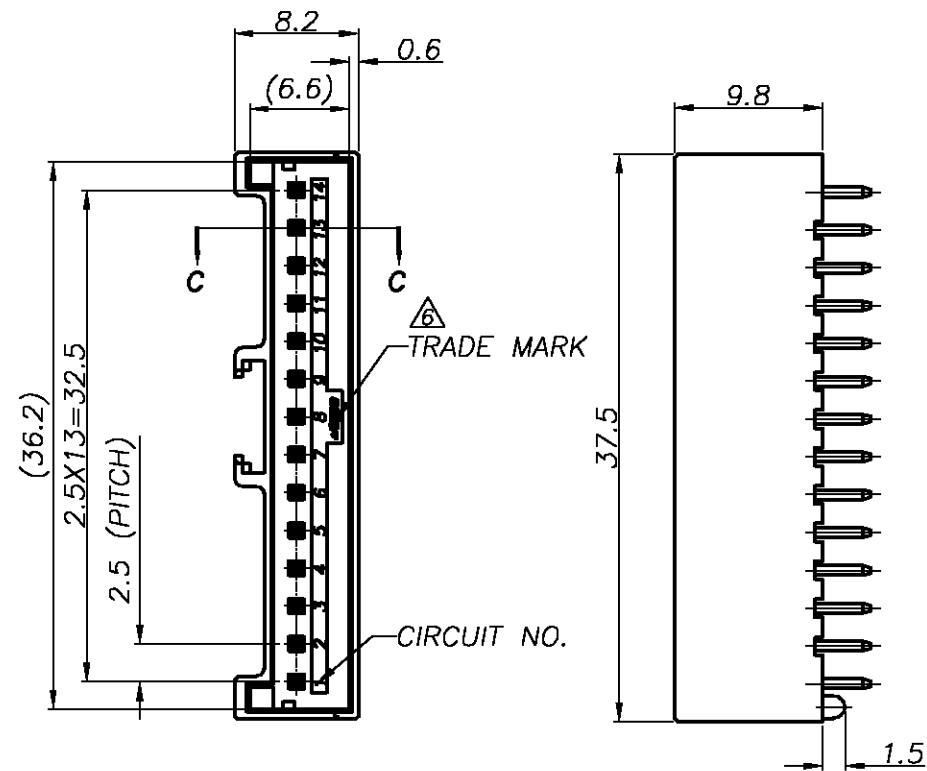


TABLE 1

| PART NO. | PART NAME | MATERIAL & FINISH |
|----------|--------------|--------------------------------|
| ① | HDR HOUSING | 66 NYLON GLASS FILLED(UL94V-0) |
| ② | POST CONTACT | PRE TIN COPPER ALLOY |

TABLE 3

| TRADE MARK | MANUFACTURING PLACE |
|------------|---------------------|
| | KOREA |

NOTES

- 1. APPLICABLE P.C.B THK.;1.6t
- 2. MATING CONN. P/N
 PLUG HOUSING(66 NYLON):1743063
 REC CONTACT (L) ; 917683
 REC CONTACT (M) ; 917684
- ③ KINKING POSITION (SEE TABLE2)
- ④ APPLICABLE P.C.B LAYOUT SEE FIG.1
- ⑤ APPLICABLE P.C.B HOLE DIA.
 PUNCHED HOLE ; 0.9^{+0.1}₋₀
 DRILLED HOLE ;1.1±0.05
- ⑥ SEE TABLE 3

TABLE 2

| TYPE OF KINK FORM | CIRCUIT NO. | | | | | | | | | | | | | | WITH | WITH | RED | 14 | 1746062-2 |
|-------------------|-------------|---|---|---|---|---|---|---|---|----|----|----|----|----|------|-----------|-------|------|-----------|
| | 1 | 2 | 3 | 4 | 5 | 6 | 7 | 8 | 9 | 10 | 11 | 12 | 13 | 14 | | | | | |
| A | B | — | — | — | — | — | — | — | — | — | — | — | A | B | BOSS | KINK FORM | COLOR | Pos. | P/N |

FIG.1 APPLICABLE P.C.B LAYOUT

| | | | | |
|---|--|-------------------------------|--|-----------------|
| THIS DRAWING IS A CONTROLLED DOCUMENT. | | DWN J.SATO 16JUN2008 | Tyco Electronics Corporation Kawasaki, Japan | |
| DIMENSIONS: 単位: 概 mm | | CHK S.MANABE 16JUN2008 | NAME 名称 2.5mm SIGNAL DBL-LOCK 14P POST HEADER ASS'Y(V-TYPE) | |
| TOLERANCES UNLESS OTHERWISE SPECIFIED: 一般公差 | | APVD S.MANABE 16JUN2008 | PRODUCT SPEC 製品規格 108-5459 | |
| MATERIAL 材料 SEE TABLE 1 | | FINISH 仕上 | APPLICATION SPEC 取付適用規格 114-5203 | |
| ANGLES ±3° | | WEIGHT | SIZE A3 | |
| CUSTOMER DRAWING | | SCALE 尺度 2:1 | | SHEET 1 OF 1 |
| DRAWING NO 番号 C-1746062 | | RESTRICTED TO — | | REV A |

单击下面可查看定价，库存，交付和生命周期等信息

[>>TE Connectivity\(泰科\)](#)