

| | | | | | | | |
|--|-----------|-----------|-----|---------------------------|---------|-----|------|
| LOC A1 | DIST — | REVISIONS | | | | | |
| | | P | LTR | DESCRIPTION | DATE | DWN | APVD |
| ÄNDERUNGEN, DIE DEM TECHNISCHEN FORTSCHRITT DIENEN, BEHALTEN WIR UNS VOR | | P | | REVISED PER ECO-11-005301 | 02MAR11 | RK | HMR |


RELEASED FOR PUBLICATION

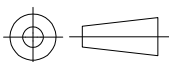
ALL RIGHTS RESERVED.

SIEHE ZEICHNUNG
826 629 BLATT 4

VON DIESER ZEICHNUNG GIBT ES KEIN ORIGINAL

| | | |
|-------------|-----------|---------------------|
| — | — | — |
| BESTELL-NR. | WERKSTOFF | OBERFLÄCHE FARBE |

| | | | | | | |
|--|------------------|---|--|-----------|------------|---------------|
| DIMENSIONS: mm | DWN | — | MATERIAL | — | FINISH | — |
| | CHK | — |  TE Connectivity | | | |
| TOLERANCES UNLESS OTHERWISE SPECIFIED: | APVD | — | | | | |
| 0 PLC ± - | PRODUCT SPEC | — | NAME AMPMODU II STIFTLAISTE 90DEG ZWEIREIHIG | | | |
| 1 PLC ± - | APPLICATION SPEC | — | SIZE | CAGE CODE | DRAWING NO | RESTRICTED TO |
| 2 PLC ± - | | | A4 | 00779 | C-826953 | — |
| 3 PLC ± - | WEIGHT | — | CUSTOMER DRAWING | | | |
| 4 PLC ± - | | | SCALE | SHEET | REV | |
| ANGLES ± - | | | — | 1 OF 1 | P | |



单击下面可查看定价，库存，交付和生命周期等信息

[>>TE Connectivity\(泰科\)](#)