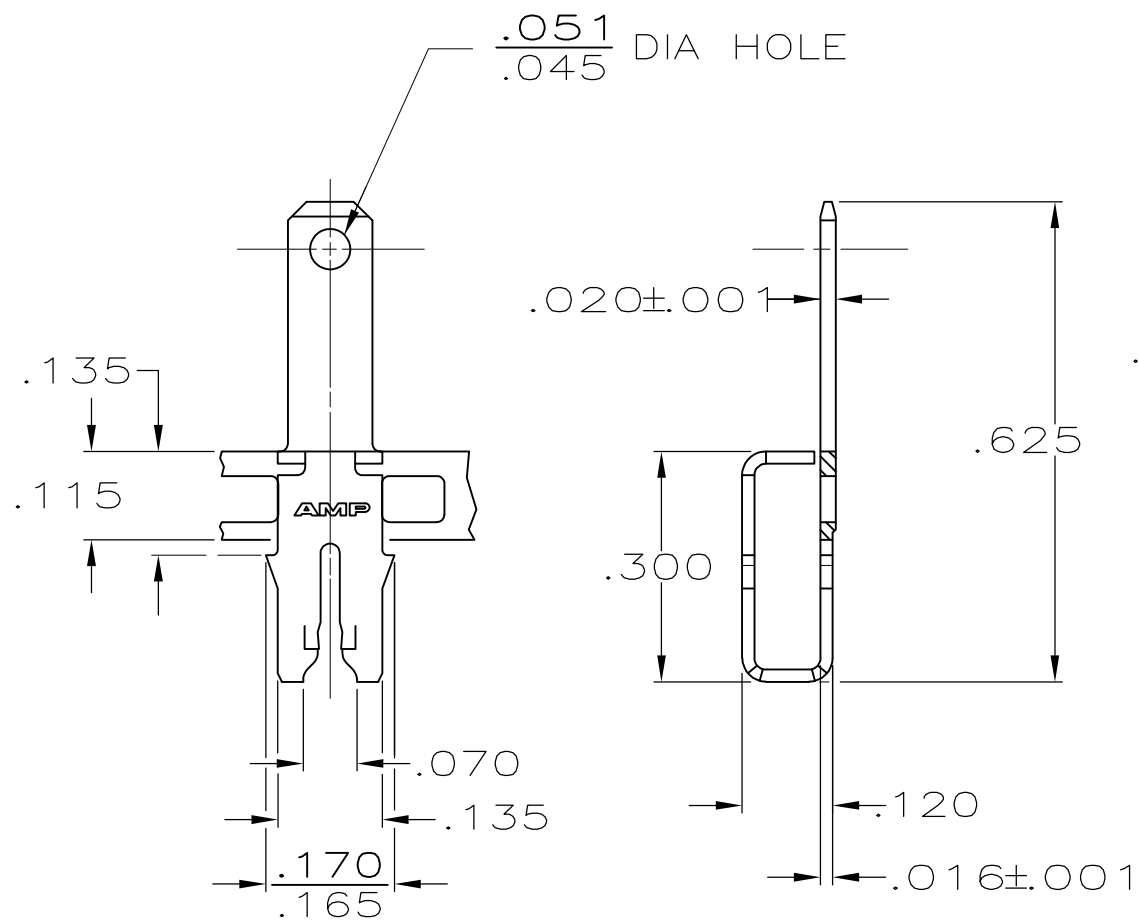
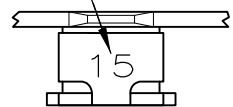


THIS DRAWING IS UNPUBLISHED. RELEASED FOR PUBLICATION
 © COPYRIGHT - By - ALL RIGHTS RESERVED.

LOC	DIST	REVISIONS			
P	LTR	DESCRIPTION	DATE	DWN	APVD
AF	50	L	PART TO DWG REV MISMATCH CORRECTED	17DEC15	PKS RRP

IDENTIFICATION NUMBER 15 FOR MAGNET WIRE RANGE.



- 1 MAG-MATE CAVITY SPECIFICATION.
- 2 CONTINUOUS STRIP ON REELS WITH TERMINALS LOCATED ON ON .220 CENTERS.
- 3 SLOT ACCEPTS #23-#20 COPPER MAGNET WIRE. SLOT ACCEPTS #21-#19 ALUMINUM MAGNET WIRE. ALUMINUM WIRE RANGE APPLIES FOR POST-TIN PLATED VERSIONS ONLY.
- 4 AFTER INSERTION INTO PLASTIC HOLDER TAB PORTION MUST BE BENT OVER 45° TO 90° OR POTTED TO PREVENT PULL-OUT WHEN MATING RECEPTACLE IS DISCONNECTED.

63486-1

THIS DRAWING IS A CONTROLLED DOCUMENT.		DWN M S FEHER 2/23/89	TE Connectivity														
DIMENSIONS: INCHES		CHK JR RUTH 2/24/89															
TOLERANCES UNLESS OTHERWISE SPECIFIED:		APVD NELSON E NEFF 3/7/89	NAME TAB, 110 FASTON, - MAG-MATE														
<table border="0"> <tr><td>0 PLC</td><td>± -</td></tr> <tr><td>1 PLC</td><td>± -</td></tr> <tr><td>2 PLC</td><td>± -</td></tr> <tr><td>3 PLC</td><td>± .010</td></tr> <tr><td>4 PLC</td><td>± -</td></tr> <tr><td>ANGLES</td><td>± -</td></tr> </table>		0 PLC	± -	1 PLC	± -	2 PLC	± -	3 PLC	± .010	4 PLC	± -	ANGLES	± -	PRODUCT SPEC -	DRAWING NO G-63486		
0 PLC	± -																
1 PLC	± -																
2 PLC	± -																
3 PLC	± .010																
4 PLC	± -																
ANGLES	± -																
MATERIAL BRASS		FINISH TIN PLATE	APPLICATION SPEC 114-2046 1	SIZE A3	CAGE CODE 00779												
CUSTOMER DRAWING			WEIGHT -	RESTRICTED TO -	SCALE 4:1												
			SHEET 1 OF 1		REV L												

单击下面可查看定价，库存，交付和生命周期等信息

[>>TE Connectivity\(泰科\)](#)