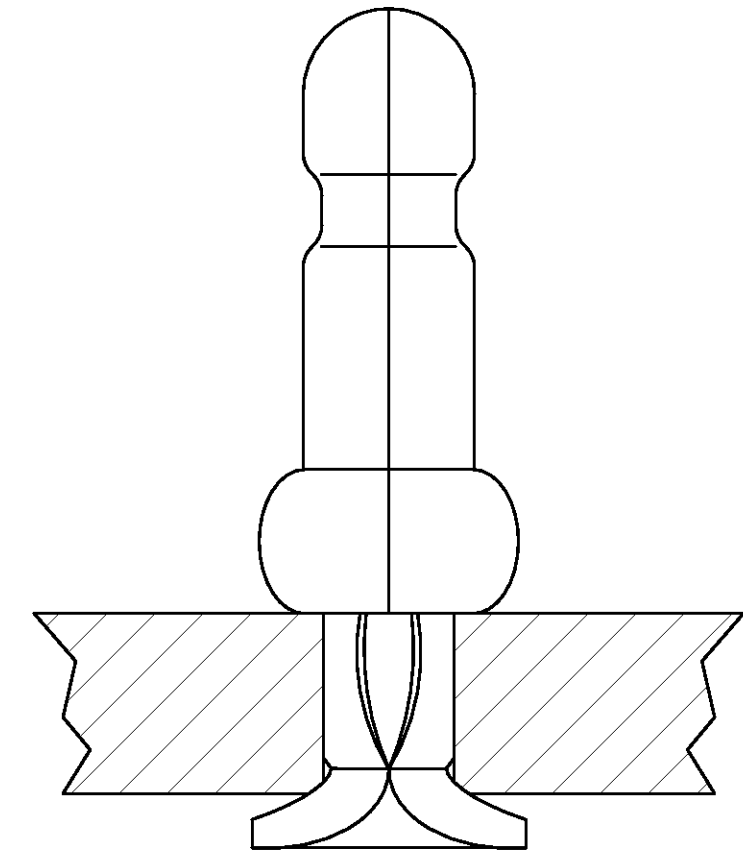
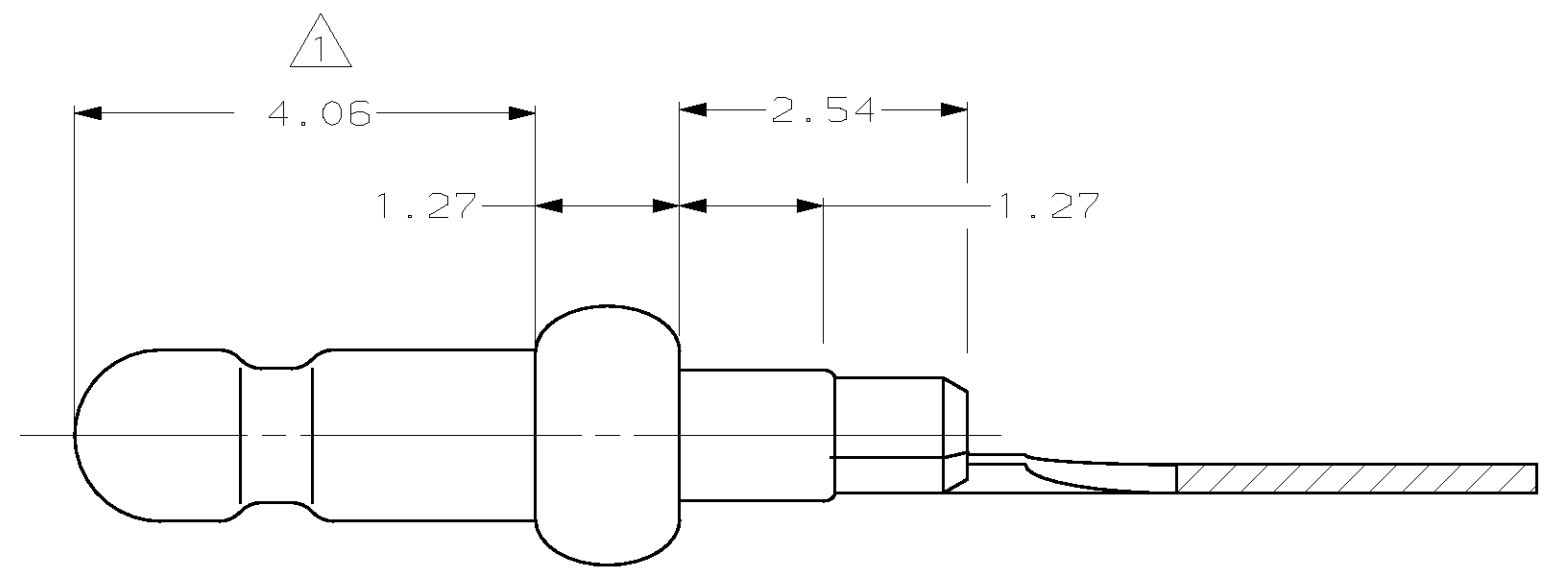
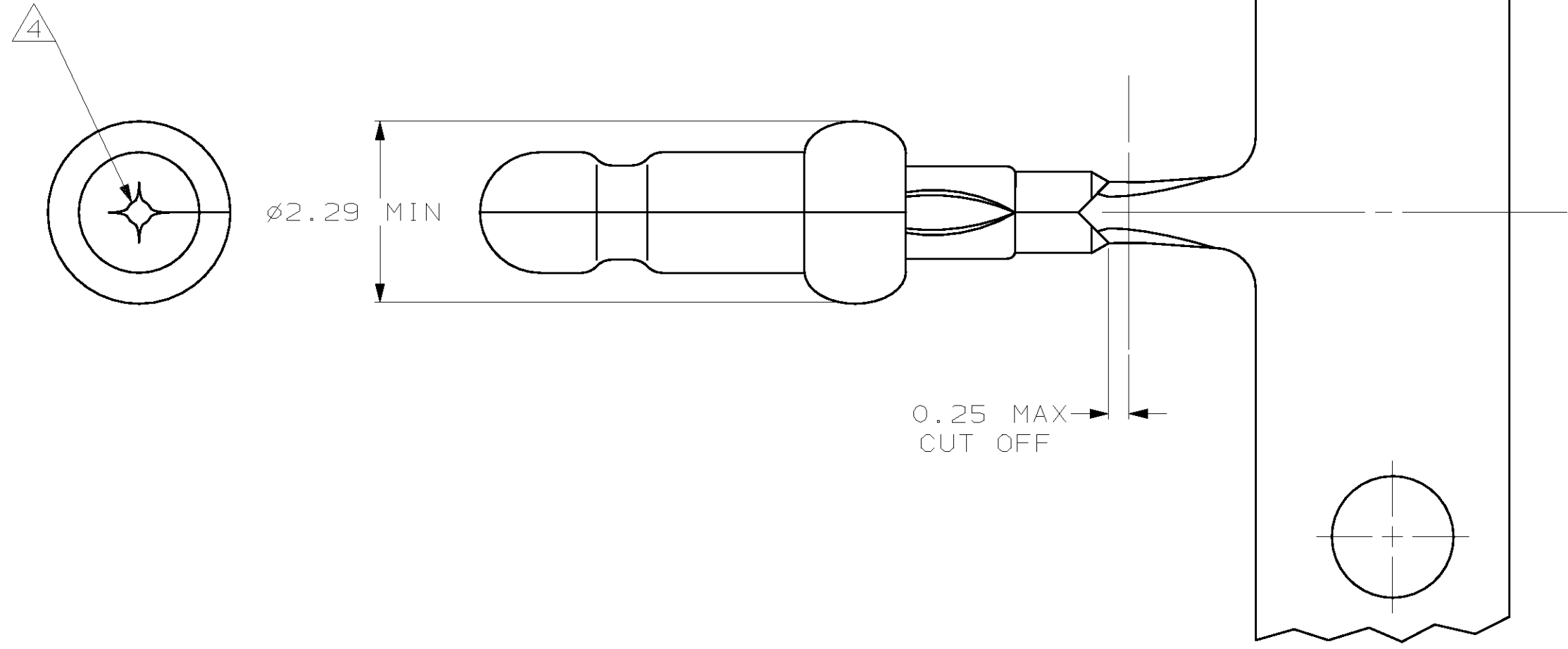


THIS DRAWING IS UNPUBLISHED. RELEASED FOR PUBLICATION
 (C) COPYRIGHT 19 BY AMP INCORPORATED. ALL RIGHTS RESERVED.

LOC		DIST		REVISIONS			
P	LTR	DESCRIPTION	DATE	DWN	APVD		
CM	52	H	REACT -3 PER EC OL30-0184-97	9-29-97	JH	RS	

1. 0.00076 MIN GOLD PLATING IN THIS AREA WITH GOLD FLASH ON THE REMAINDER BOTH OVER 0.00127 MIN NICKEL UNDERPLATE.
2. FITS 1.17 - 1.27 DIAMETER HOLE IN A 1.57 PRINTED CIRCUIT BOARD.
3. PARTS TO COMPLY WITH AMP SOLDERABILITY SPECIFICATION 109-11-3.
4. 0.05 - 0.25 DIAMETER OPENING REQUIRED IN TIP OF PIN.
5. APPLICATOR FEED: 8.00 - 8.26



TIN	640967-3
△	640967-2
FINISH	PART NUMBER

MM	IN	MM	IN	MM	IN	MM	IN
0.13	.005	1.47	.058	4.06	.160	-	-
0.05	.002	1.27	.050	2.54	.100	-	-
0.00127	.000050	1.17	.046	2.29	.090	8.26	.325
0.00076	.000030	0.25	.010	1.57	.062	8.00	.315

CONVERSION TABLE

METRIC

THIS DRAWING IS A CONTROLLED DOCUMENT.		DWN	T. BECK	8-27-97	AMP Incorporated Harrisburg, PA 17105-3608			
DIMENSIONS:		CHK	R. SWING	8-27-97				
mm		APVD	A. BEDDICK	9-10-97				
TOLERANCES UNLESS OTHERWISE SPECIFIED:		PRODUCT SPEC	108-1025					
0 PLC ±- 1 PLC ±- 2 PLC ±0.13 3 PLC ±- 4 PLC ±- ANGLES ±-		APPLICATION SPEC		114-1008	SIZE	CAGE CODE	DRAWING NO	RESTRICTED TO
MATERIAL		FINISH		SEE TABLE	WEIGHT	A2 00779 C-640967		-
0.25 PH BRZ		SEE TABLE		CUSTOMER DRAWING	SCALE	15:1	SHEET	1 OF 1

640967

单击下面可查看定价，库存，交付和生命周期等信息

[>>TE Connectivity\(泰科\)](#)