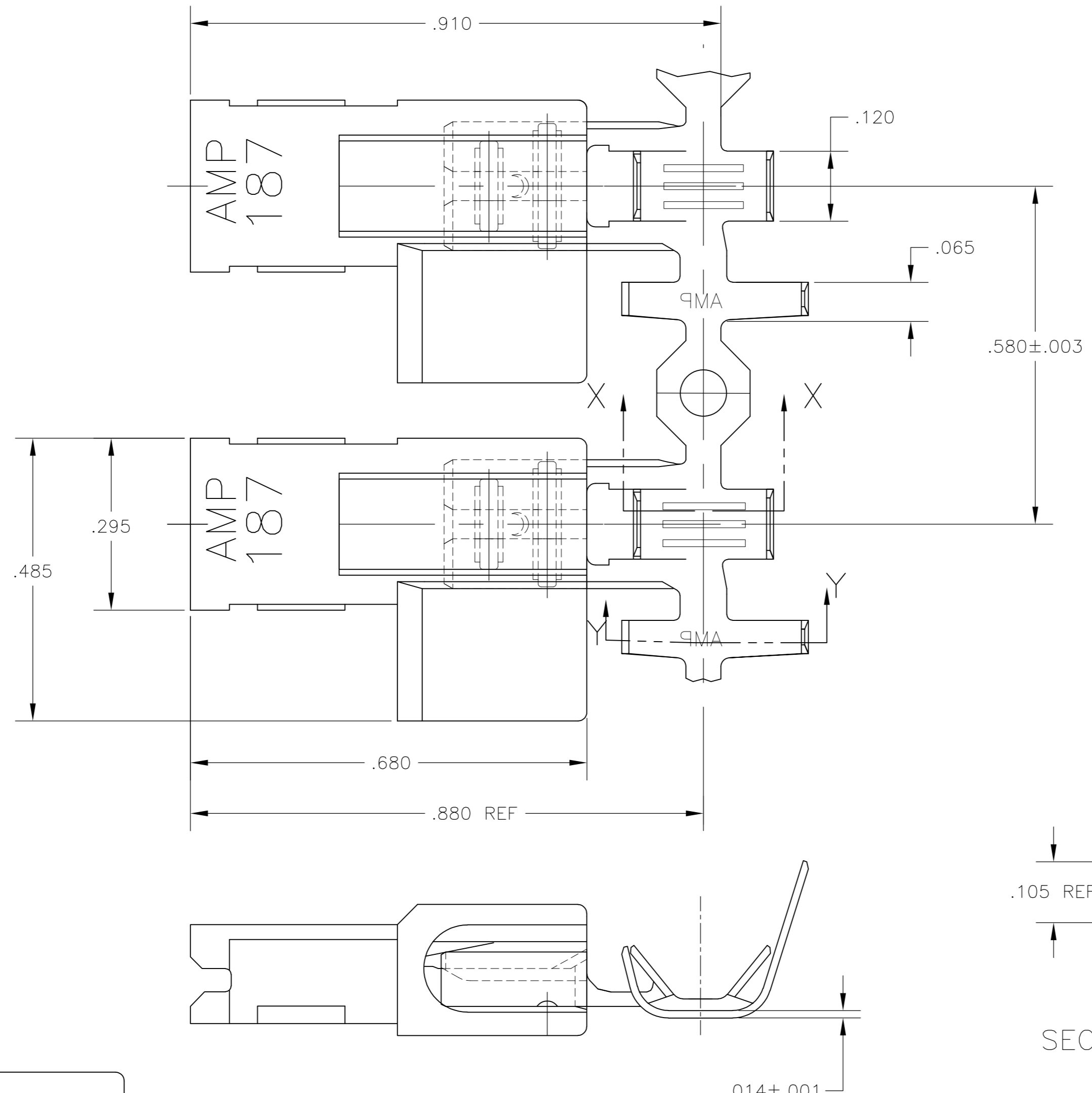
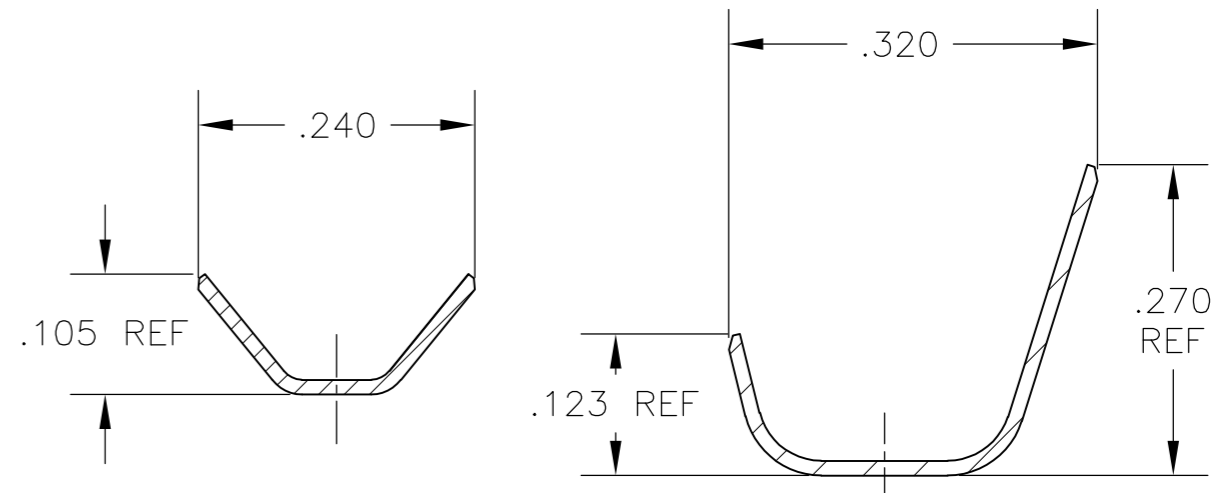


THIS DRAWING IS UNPUBLISHED. RELEASED FOR PUBLICATION
 © COPYRIGHT - By - ALL RIGHTS RESERVED.

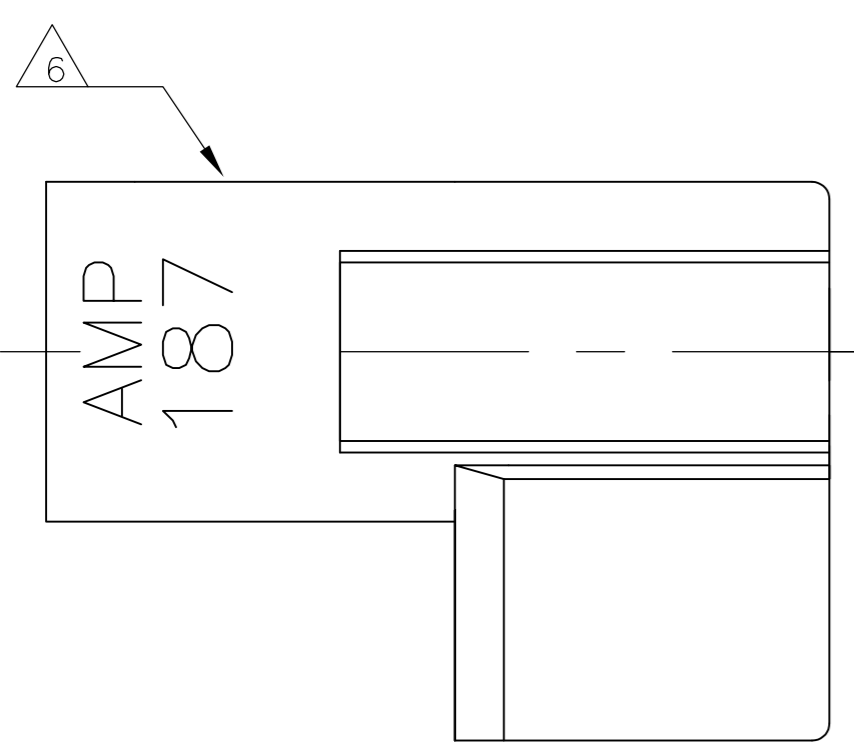
LOC	DIST	REVISIONS			
P	LTR	DESCRIPTION	DATE	DWN	APVD
AF	50	B	REVISED PER ECR-12-013062	17DEC12	KH KR



- 2 WIRE SIZE IS #18-#14 AWG OR TWO #18'S
- 3 INSULATION RANGE IS .110-.150 DIA OR TWO AT .110 MAX DIA.
- 4 MATERIAL;
 TERMINAL: BRASS, FINISH SEE TABLE
 HOUSING: V2 NYLON, NATURAL COLOR (WHITE)
- 5 FITS .187 X .020 THK FASTON TAB
- 6 ALTERNATIVE HOUSING FORM
- 7 PRELIMINARY - NOT FOR PRODUCTION.
- 8 GLOW WIRE APPROVED; CONTACT TE ENGINEERING FOR SPECIFICATION (ALL WALL THICKNESSES ARE BETWEEN 0.4-3.0[.015-.118])



SECTION X-X SECTION Y-Y



.000040 MIN TIN PLATE	8	1969133-2
NO PLATING	7	1969133-1
TERMINAL: FINISH		PART NO.

THIS DRAWING IS A CONTROLLED DOCUMENT.		DWN RAGHAVENDRA 07MAY07	TE Connectivity	
DIMENSIONS: INCHES		CHK G D PORTA 07MAY07	NAME ASSEMBLY, RECPT, FLAG, ULTRA-POD, .187 SERIES 18-14 AWG, V2 HOUSING	
TOLERANCES UNLESS OTHERWISE SPECIFIED:		APVD G D PORTA 07MAY07	SIZE A2	CAGE CODE 00779
0 PLC ± -	1 PLC ± -	PRODUCT SPEC 108-2215	DRAWING NO C=1969133	RESTRICTED TO -
2 PLC ± -	3 PLC ± .010	APPLICATION SPEC 114-2124	SCALE 6:1	SHEET 1 of 1
4 PLC ± -	ANGLES ± -	WEIGHT -	REV B	
MATERIAL SEE NOTES	FINISH SEE NOTES	CUSTOMER DRAWING		

单击下面可查看定价，库存，交付和生命周期等信息

[>>TE Connectivity\(泰科\)](#)