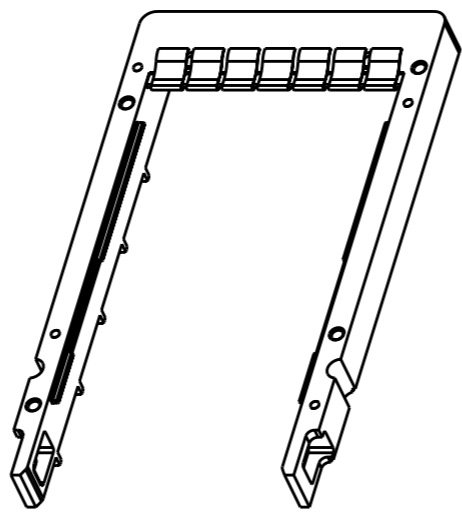


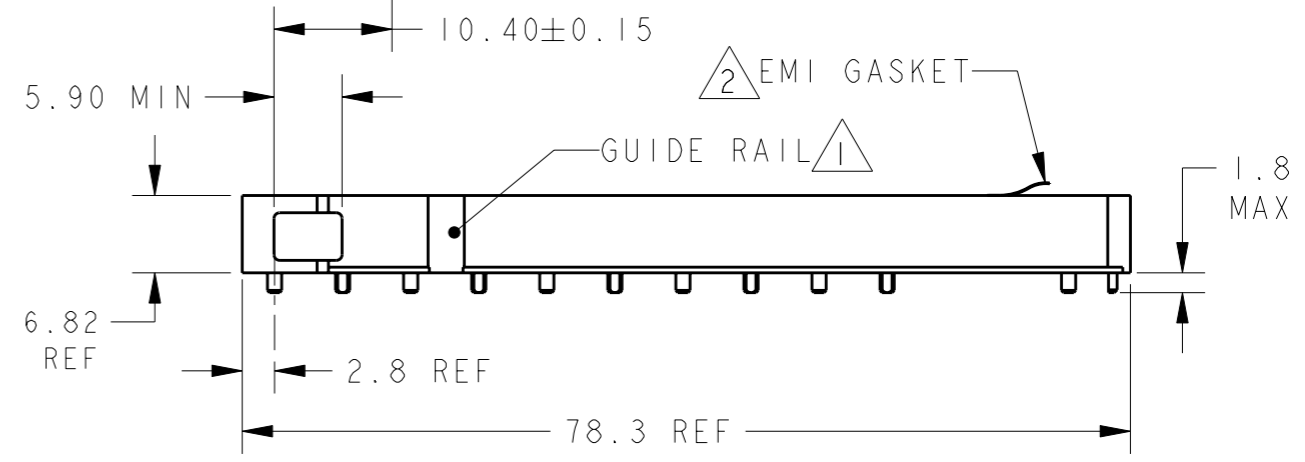
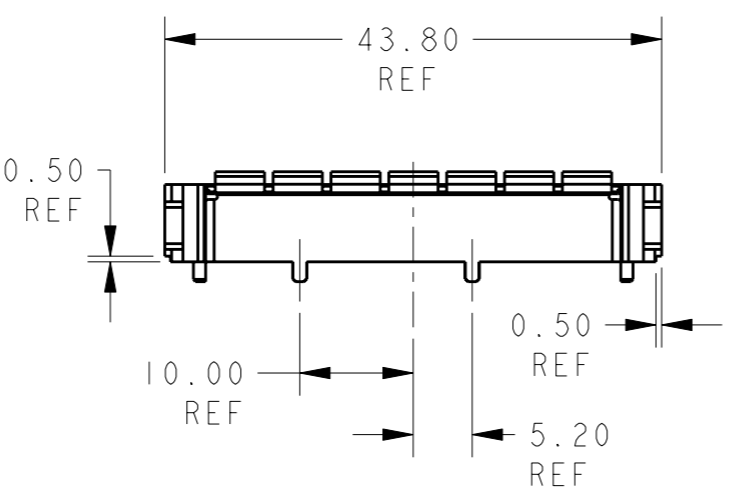
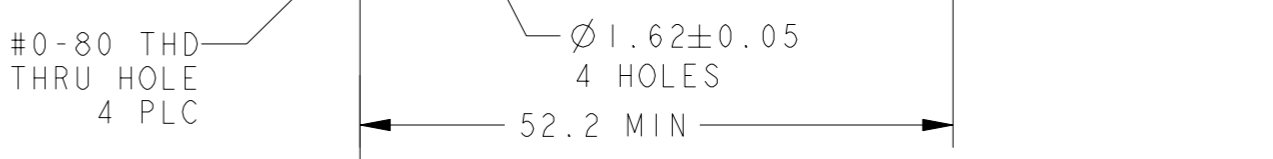
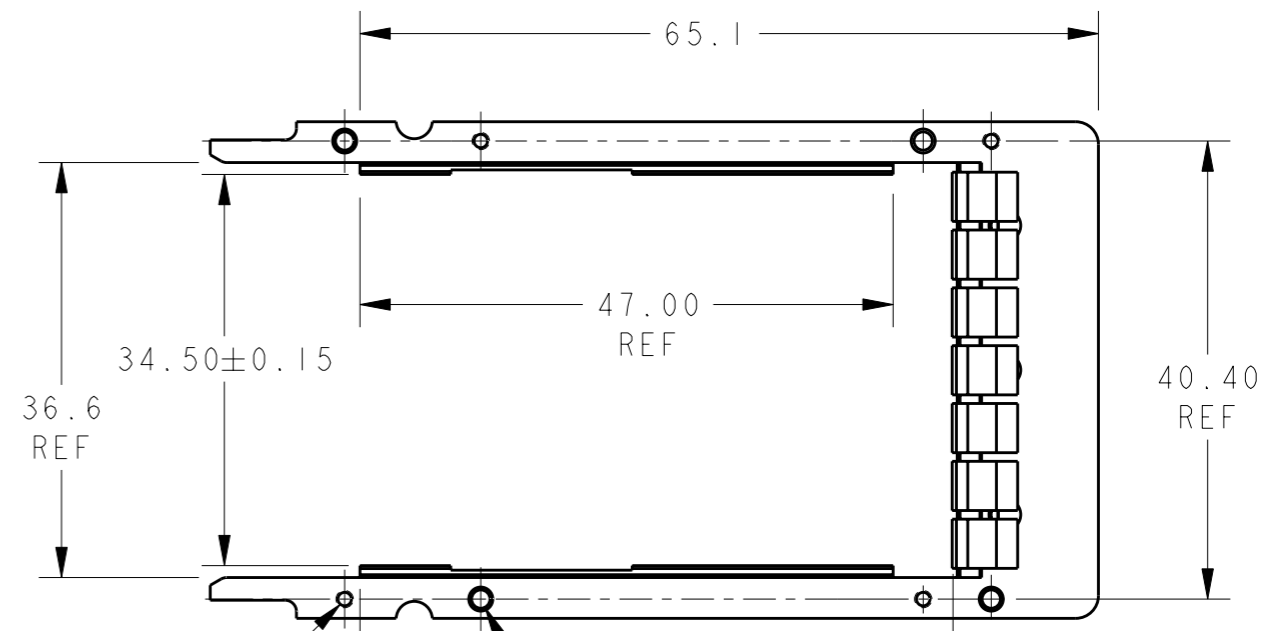
THIS DRAWING IS UNPUBLISHED. RELEASED FOR PUBLICATION 20  
 © COPYRIGHT 20 BY TYCO ELECTRONICS CORPORATION. ALL RIGHTS RESERVED.

LOC		DIST		REVISIONS			
P	LTR	DESCRIPTION		DATE	DWN	APVD	
-	-	A		RELEASED PER ECO-07-007698	11APR07	BM	MS
-	-	AI		ECR-08-019072	31JUL08	AZ	SY

- 1 GUIDE RAIL MATERIAL: ZINC  
GUIDE RAIL PLATING: 1.27 μM MIN THICK NICKEL,  
OVER 5.0 μM MIN THK COPPER
- 2 EMI GASKET MATERIAL: COPPER ALLOY  
EMI GASKET PLATING: MATTE TIN, 2.0 μM MIN THK
- 3 DATUMS X AND Y TO BE ESTABLISHED BY CUSTOMER
- 4. DESIGN ACCEPTS MODULES THAT ARE COMPLIANT WITH X2 SPECIFICATION REV 2.0b
- 5 SEE CUSTOMER DRAWING 1367337-1 FOR CONNECTOR PAD DIMENSIONS
- 6 RECOMMENDATION FOR PCB HOLES:  
A. HOLE DIA. AFTER DRILLING: 1.55 +0.02  
B. HOLE DIA. AFTER TIN-LEAD PLAT: 1.45+.05  
C. 25-50 MICROMETERS COPPER UNDERPLATE  
D. MAXIMUM 35 MICROMETERS TIN-LEAD PLATING
- 7. 3.0 MINIMUM PCB THICKNESS FOR BELLY TO BELLY APPLICATION
- 8. BEZEL REQUIREMENTS PER X2 MSA SPECIFICATION REV 2.0b
- 9 #0-80 SOCKET HEAD CAP SCREW SUPPLIED BY CUSTOMER. 4 PLACES.
- 10 OPTIONAL HOLES FOR M3 SCREW / STANDOFFS
- 11 CROSS HATCH AREA DENOTES RAISED SURFACE, 0.5mm OFF HOST BOARD
- 12 SURFACE OF RAIL IN CONTACT WITH HOST BOARD
- 13. REFERENCE INSTRUCTION SHEET 408-10102 FOR ADDITIONAL INFORMATION.



SCALE 1:1



PART NUMBER 1367710-1

THIS DRAWING IS A CONTROLLED DOCUMENT FOR TYCO ELECTRONICS CORPORATION IT IS SUBJECT TO CHANGE AND THE CONTROLLING ENGINEERING ORGANIZATION SHOULD BE CONTACTED FOR THE LATEST REVISION.		DWN D.E.STAHL 16JUN2005	 Tyco Electronics Harrisburg, PA 17105-3608	NAME X2 CAST METAL GUIDE FRAME, TYPE 2	
DIMENSIONS: mm		CHK E.BRIGHT 16JUN2005		PRODUCT SPEC	
TOLERANCES UNLESS OTHERWISE SPECIFIED: 0 PLC ±.5 1 PLC ±.2 2 PLC ±.1 3 PLC ±.05 4 PLC ±. ANGLES ±.1		APVD E.BRIGHT 16JUN2005		APPLICATION SPEC	
MATERIAL		FINISH	WEIGHT	SIZE A300779	CAGE CODE C-1367710
CUSTOMER DRAWING			SCALE 3:2	SHEET 1	OF 4
			REV AI	RESTRICTED TO	

4

3

2

1

THIS DRAWING IS UNPUBLISHED. RELEASED FOR PUBLICATION 20  
 © COPYRIGHT 20 BY TYCO ELECTRONICS CORPORATION. ALL RIGHTS RESERVED.

LOC	DIST	REVISIONS			
P	LTR	DESCRIPTION	DATE	DWN	APVD
-	-	SEE SHEET 1	-	-	-

D

D

C

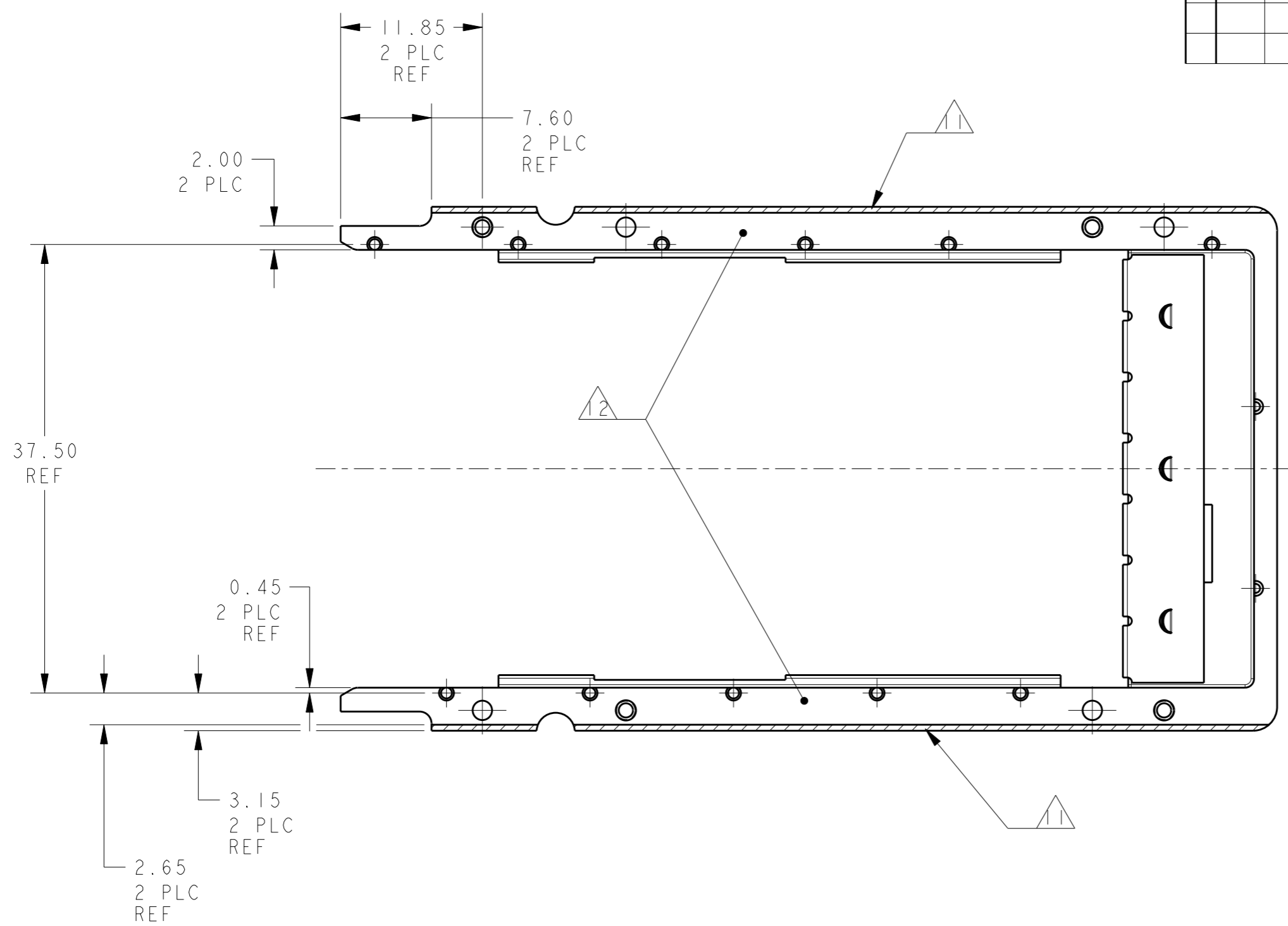
C

B

B

A

A

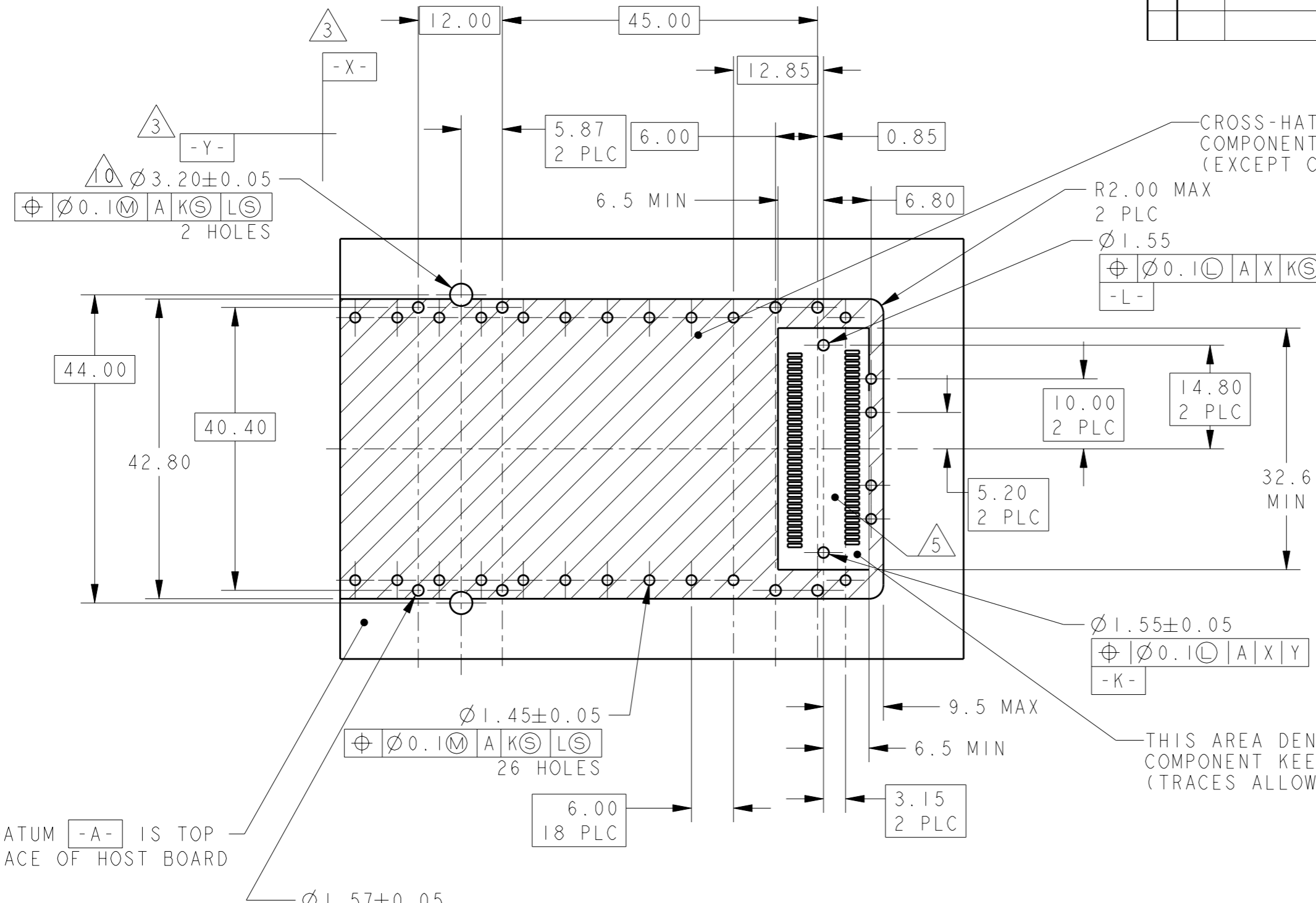


<small>THIS DRAWING IS A CONTROLLED DOCUMENT FOR TYCO ELECTRONICS CORPORATION          IT IS SUBJECT TO CHANGE AND THE CONTROLLING ENGINEERING ORGANIZATION          SHOULD BE CONTACTED FOR THE LATEST REVISION.</small>		DWN D.E. STAHL 16JUN2005 CHK E. BRIGHT 16JUN2005 APVD E. BRIGHT 16JUN2005		Tyco Electronics Harrisburg, PA 17105-3608	
DIMENSIONS: mm		TOLERANCES UNLESS OTHERWISE SPECIFIED: 0 PLC ±.5 1 PLC ±.2 2 PLC ±.1 3 PLC ±.05 4 PLC ±. ANGLES ±.1		NAME X2 CAST METAL GUIDE FRAME, TYPE 2	
		MATERIAL - FINISH -		PRODUCT SPEC - APPLICATION SPEC - WEIGHT -	
CUSTOMER DRAWING		SCALE 3:2		SIZE A3 CAGE CODE 00779 DRAWING NO C-1367710 RESTRICTED TO -	
				SHEET 2 OF 4 REV A	



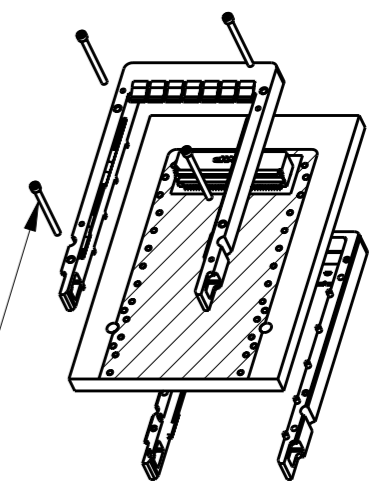
THIS DRAWING IS UNPUBLISHED. RELEASED FOR PUBLICATION 20  
 © COPYRIGHT 20 BY TYCO ELECTRONICS CORPORATION. ALL RIGHTS RESERVED.

LOC	DIST	P	LTR	DESCRIPTION	DATE	DWN	APVD
-	-	-	-	SEE SHEET 1	-	-	-



CROSS-HATCHED AREA DENOTES RECOMMENDED COMPONENT AND TRACE KEEP-OUT AREA (EXCEPT CHASSIS GROUND)

X2 RECOMMENDED PCB LAYOUT FOR BELLY TO BELLY CONFIGURATION SCALE 2:1



THIS AREA DENOTES COMPONENT KEEP-OUT AREA (TRACES ALLOWED)

DATUM -A- IS TOP SURFACE OF HOST BOARD

THIS DRAWING IS A CONTROLLED DOCUMENT FOR TYCO ELECTRONICS CORPORATION IT IS SUBJECT TO CHANGE AND THE CONTROLLING ENGINEERING ORGANIZATION SHOULD BE CONTACTED FOR THE LATEST REVISION.

DIMENSIONS: mm		TOLERANCES UNLESS OTHERWISE SPECIFIED:	
		0 PLC	±.5
		1 PLC	±.2
		2 PLC	±.1
		3 PLC	±.05
		4 PLC	±.
ANGLES	±.1		
MATERIAL	-	FINISH	-

DWN	D.E. STAHL	16JUN2005
CHK	E. BRIGHT	16JUN2005
APVD	E. BRIGHT	16JUN2005
PRODUCT SPEC	-	
APPLICATION SPEC	-	
WEIGHT	-	
CUSTOMER DRAWING		

<b>tyco</b> Electronics		Tyco Electronics Harrisburg, PA 17105-3608	
NAME X2 CAST METAL GUIDE FRAME, TYPE 2			
SIZE	CAGE CODE	DRAWING NO	RESTRICTED TO
A3	00779	C-1367710	-
SCALE 3:2		SHEET 4 OF 4	REV A

单击下面可查看定价，库存，交付和生命周期等信息

[>>TE Connectivity\(泰科\)](#)