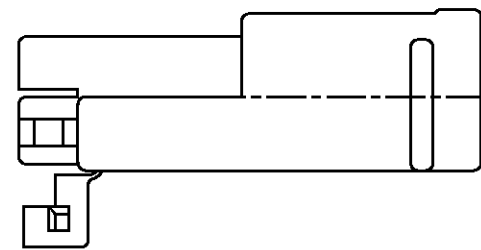
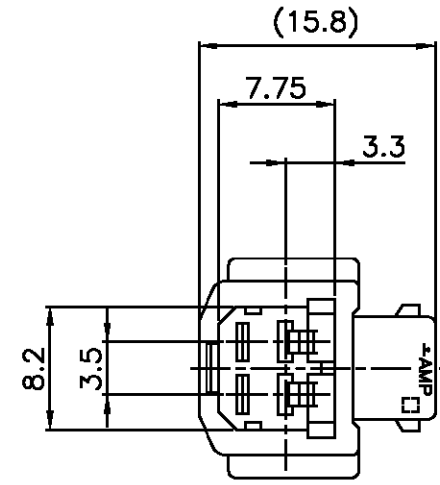
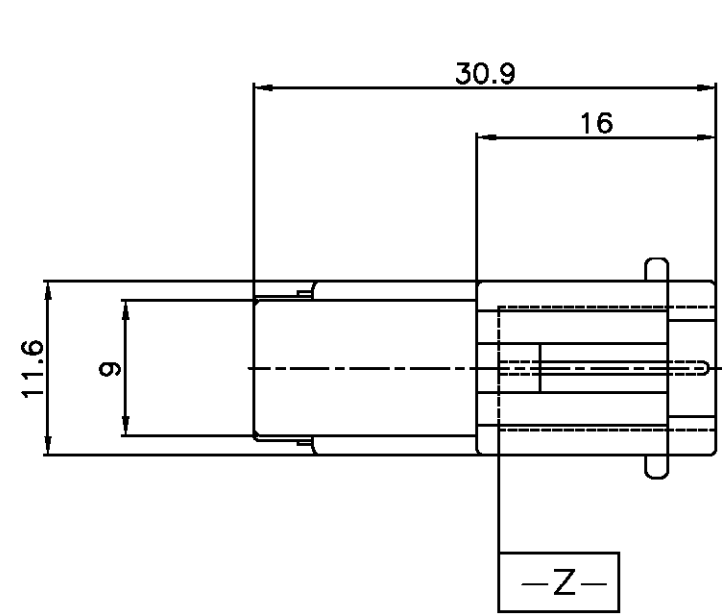


P	LTR	DESCRIPTION	DATE	DWN	APVD
	O	RELEASED(FC00-0002-00)	04,JAN,00	HS	CS
	A	REVISED(FC00-0050-01)	11,MAY,01	MS	CS



NOTES

- 1. MUST BE KEPT FROM AND 2.
- 2. THE MATING PLUG HOUSING PART NUMBER: 368538.
- 3. APPLIED TAB CONTACT P/N: 173645.

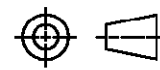
①	368545-3	BLACK
	368545-1	NATURAL
	P/N	COLOR

THIS DRAWING IS A CONTROLLED DOCUMENT FOR AMP INCORPORATED. IT IS SUBJECT TO CHANGE AND THE CONTROLLING ENGINEERING ORGANIZATION SHOULD BE CONTACTED FOR THE LATEST REVISION.

DIMENSIONS:
MM

TOLERANCES UNLESS OTHERWISE SPECIFIED:

0 <XX<10 ± 0.2
 10<XX<30 ± 0.25
 30<XX ± 0.3
 ANGLES ± 3°



3rd ANGLE PROJECTION

MATERIAL
P.B.T

FINISH

DWN MS HER

CHK BM JANG

APVD CS LEE

PRODUCT SPEC

APPLICATION SPEC

WEIGHT

AMP

AMP KOREA.
kyungsan, korea

NAME

.070 MLC 2P CAP HSG.

SIZE

CAGE CODE

DRAWING NO

A3

00779

©= 368545

SCALE 2/1

SHEET 1 OF 1

REV A

单击下面可查看定价，库存，交付和生命周期等信息

[>>TE Connectivity\(泰科\)](#)