

THIS DRAWING IS UNPUBLISHED. VERTRÄULICHE UNVERÖFFENTLICHTE ZEICHNUNG. RELEASED FOR PUBLICATION FREI FÜR VERÖFFENTLICHUNG. 2014. MATED WITH: PASSEND ZU: (C) COPYRIGHT 2014 Tyco Electronics AMP GmbH. ALL RIGHTS RESERVED. ALLE RECHTE VORBEHALTEN.

PROJEKT NR.: PRJ-14-00000805

REVISIONS		DATE	DWN	APVD
ÄNDERUNGEN				
P	LTR	DESCRIPTION		
		BESCHREIBUNG		
	A2	DESCRIPTION CORRECTED FROM SOLDER TO SCREW TERMINAL IN TITLE BLOCK	13NOV2014	CR JK

1 MATERIAL: ITEM NO. 1: HOUSING - ZINC DIECASTING, NICKEL PLATED
 ITEM NO. 2: CONTACT BODY - PA
 ITEM NO. 3: CONTACT FINISH - Au (gold)

2 CONTACT - CuZn (brass)

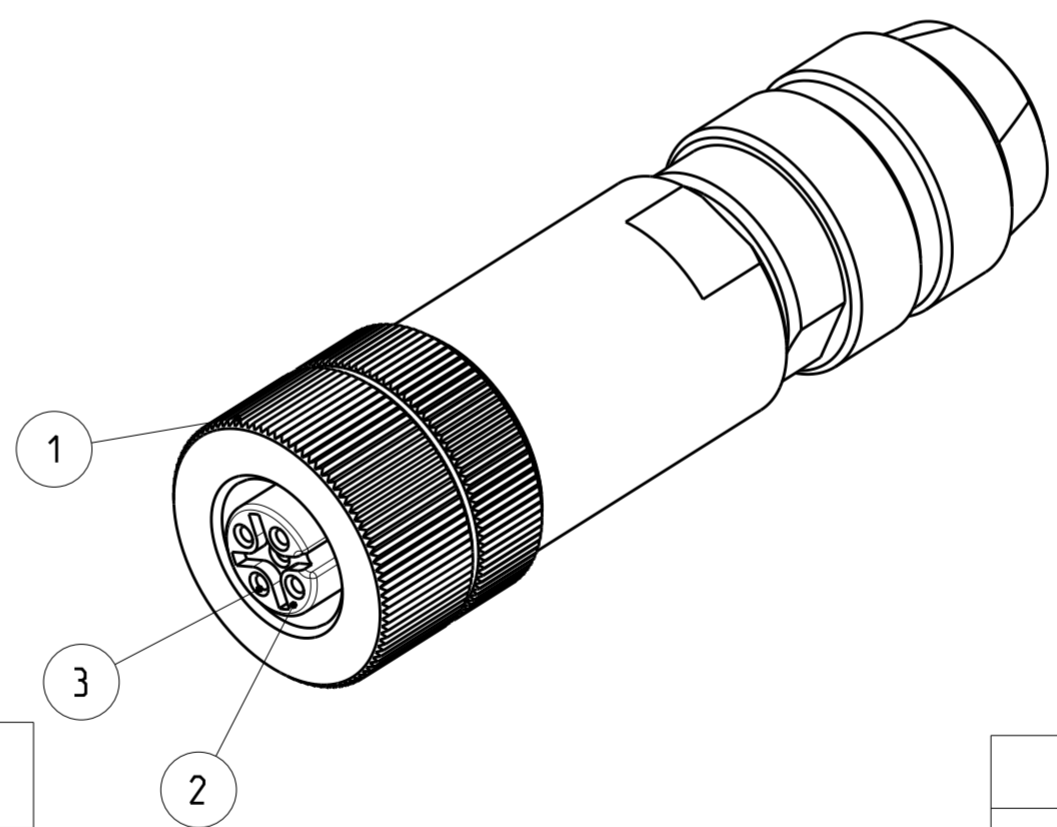
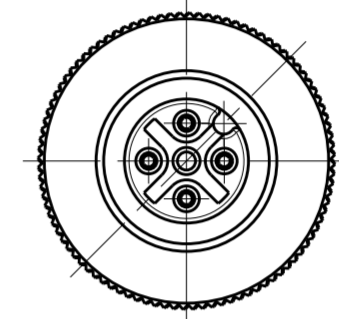
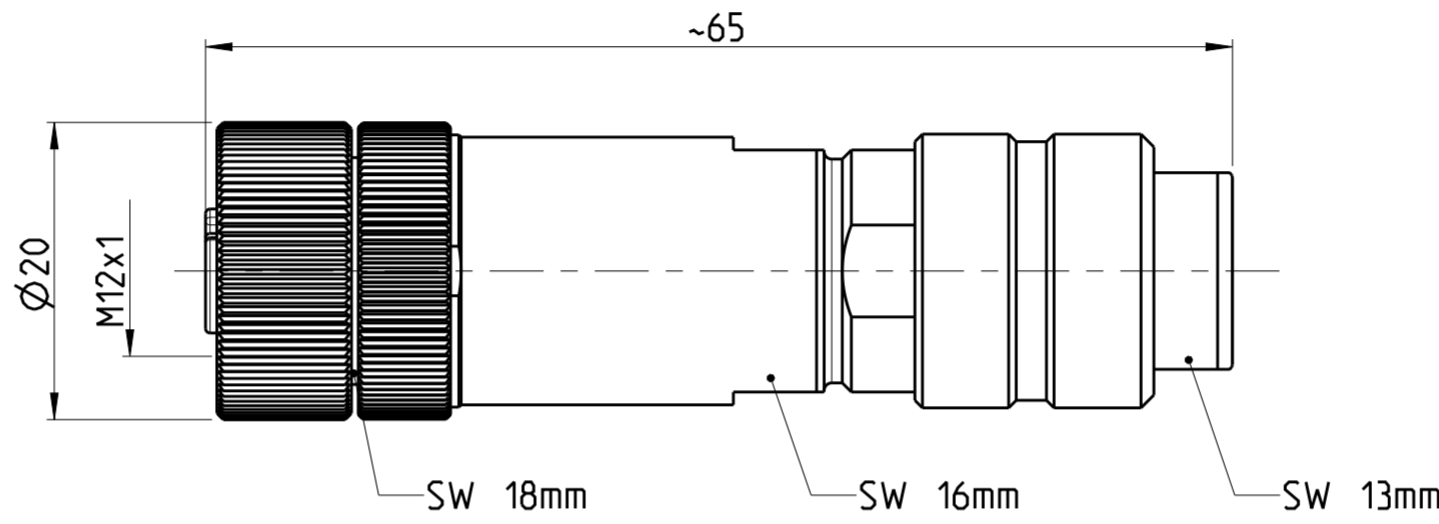
3 CONTACT - CuSn (bronze)

4 ALL DIMENSIONS ARE FOR NOMINAL REFERENCE ONLY UNLESS OTHERWISE STATED

5 MEASUREMENT REFERENCE ONLY

6 PACKAGING: 1 PIECE IN A BAG

TECHNICAL DATA	3-2271117-2	4-2271117-2	5-2271117-2	6-2271117-2
RATED VOLTAGE	250V	125V	60V	30V
RATED IMPULSE VOLTAGE	2500V	1500V	800V	500V
POLLUTION DEGREE	3	3	3	3
OVERVOLTAGE CATEGORY	II	II	II	II
MATERIAL GROUP	II	II	II	II
RATED CURRENT	4A	4A	2A	2A
VOLUME RESISTIVITY	≤ 3mΩ	≤ 3mΩ	≤ 3mΩ	≤ 3mΩ
DEGREE OF PROTECTION	IP67	IP67	IP67	IP67
UPPER TEMPERATURE	+85 °C	+85 °C	+85 °C	+85 °C
LOWER TEMPERATURE	-40 °C	-40 °C	-40 °C	-40 °C



3-2 AS SHOWN WIE GEZEICHNET

PIN ARRANGEMENT A-CODING (SCALE 2:1)

3-2271117-2	4-2271117-2	5-2271117-2	6-2271117-2

CABLE FEED-THROUGH mm	WIRES AWG / mm ²	MATERIAL	NUMBER OF POLES	TE-PART-NO.
6-8	24 / 0.25mm ²	1 3	12	6-2271117-2
5-8	20 / 0.50mm ²	1 2	8	5-2271117-2
5-8	18 / 0.75mm ²	1 2	5	4-2271117-2
5-8	18 / 0.75mm ²	1 2	4	3-2271117-2

DIESE ZEICHNUNG IST EIN KONTROLLIERTES DOKUMENT. BEMASSUNGEN UND TOLERANZEN GEMAESS GPS (ISO STANDARDS). THIS DRAWING IS A CONTROLLED DOCUMENT. DIMENSIONING AND TOLERANCING PER GPS (ISO STANDARDS).

DWN YASHKUMAR 17MAY2014
 CHK M.STRELOW 17MAY2014
 APVD C.SCHREITLINGER 17MAY2014

STE TE Connectivity
 NAME M12 RECEPTACLE, STRAIGHT, FIELD INSTALLABLE, SHIELDED CONNECTOR, SCREW TERMINAL, A-CODING

DIMENSIONS: MASSE/WEITEN: (MM) TOLERANCES UNLESS OTHERWISE SPECIFIED: ALLGEMEINTOLERANZEN
 0 PLC ±
 1 PLC ±
 2 PLC ±
 3 PLC ±
 4 PLC ±
 ANGLES/WINKEL ±
 FINISH/OBERFLAECHE/FARBE

PRODUCT SPEC 108-19483
 APPLICATION SPEC 114-32127
 WEIGHT GEWICHT -
 Customer Drawing /KUNDENZEICHNUNG

SIZE A2 CAGE CODE 00779 DRAWING NO. ZEICHNUNGS-NR. C-2271117 RESTRICTED TO NUR FÜR -
 SCALE MASSSTAB 2:1 SHEET BLATT 1 OF 1 REV A2

单击下面可查看定价，库存，交付和生命周期等信息

[>>TE Connectivity\(泰科\)](#)