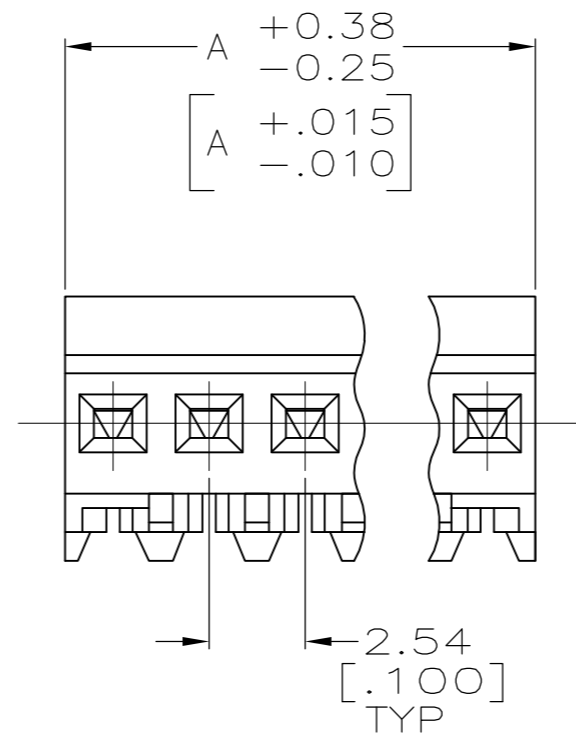
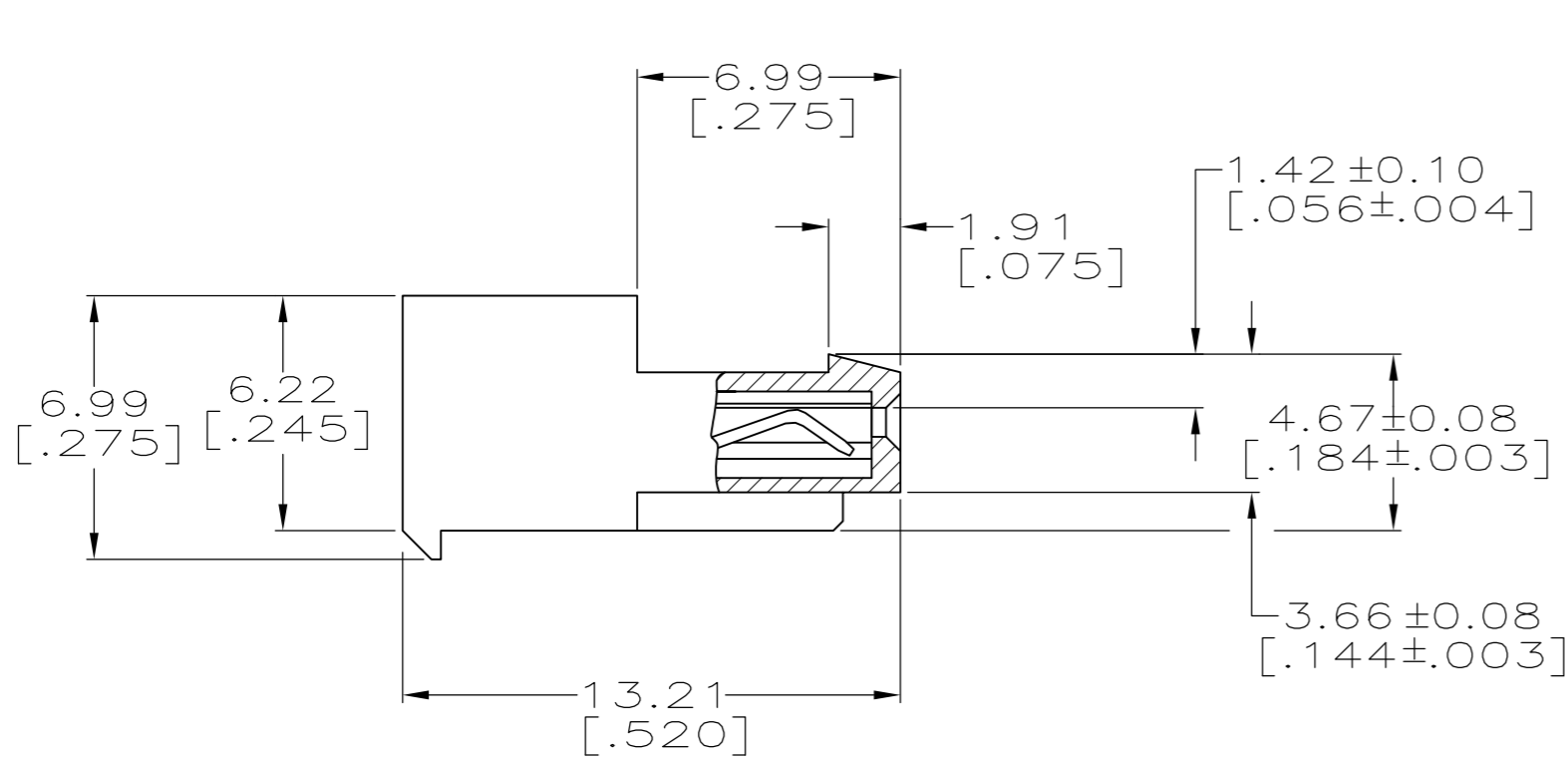
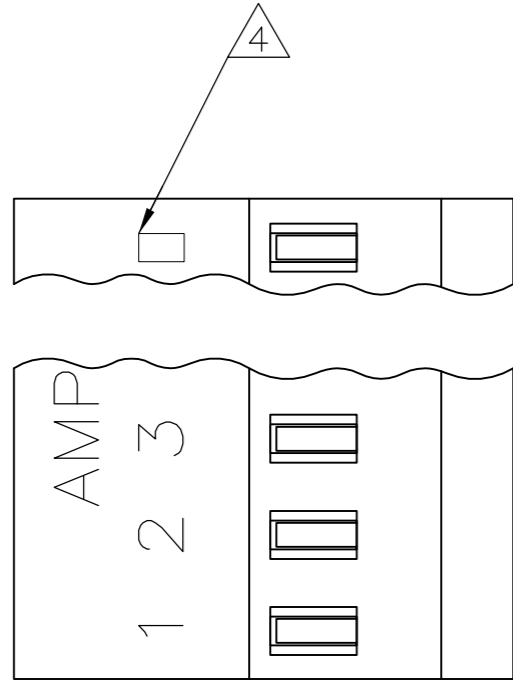


THIS DRAWING IS UNPUBLISHED. RELEASED FOR PUBLICATION
 © COPYRIGHT BY TYCO ELECTRONICS CORPORATION. ALL RIGHTS RESERVED.

LOC	DIST	REVISIONS					
CM	00	P	LTR	DESCRIPTION	DATE	DWN	APVD
		C		REVISED PER ECO-07-003747	27FEB07	KW	DB
		C1		REVISED PER ECO-09-024717	05NOV09	KK	AEG



- 1 MATERIAL: CONNECTOR-NYLON UL94V-0 (BLACK).
CONTACTS-0.30 [.012] THICK COPPER ALLOY
0.00076 [.000030] GOLD IN CONTACT AREA
WITH BRIGHT TIN-LEAD FOR 644315-2 THRU
644315-6, MATTE WHISKER MITIGATED TIN
FOR 3-644315-2 THRU 4-644315-5 OVER
NICKEL UNDERPLATE.
- 2. CONTACTS ACCEPT 26 AWG WIRE WITH 1.52[.060] MAX
INSULATION DIAMETER.
- 3. CONTACTS MUST ACCEPT 0.64±0.03[.025±.001] SQUARE
POST AND REMAIN LOCKED IN POSITION.
- 4 IDENTIFICATION NUMBER FOR LAST CIRCUIT MAY
NOT APPEAR ON ALL ASSEMBLIES.
- 5. DIMENSIONS IN BRACKETS ARE IN INCHES.
- 6. HOUSING FEATURES ARE: CLOSED END WITH LOCKING
RAMP.
- 7 OBSOLETE PARTS: OBSOLETE CIS STREAMLINING PER D.RENAUD/D.SINISI

DIM A	NO OF CIRCUITS	PART NO
38.10 [1.500]	15	4-644315-5
27.94 [1.100]	11	4-644315-1
15.24 [.600]	6	3-644315-6
10.16 [.400]	4	3-644315-4
5.08 [.200]	2	3-644315-2
5.08 [.200]	2	644315-2

7 SUPERCEDED 15.24 [.600] 6 3-644315-6
 7 SUPERCEDED 10.16 [.400] 4 3-644315-4

METRIC

THIS DRAWING IS A CONTROLLED DOCUMENT.		DWN K. WHITAKER 21JULY2005	Tyco Electronics Corporation Harrisburg, Pa 17105-3608	
DIMENSIONS: mm [INCHES]	TOLERANCES UNLESS OTHERWISE SPECIFIED:	CHK D. BOSSI 21JULY2005	NAME MTA 100 CONNECTOR ASSEMBLY, 26 AWG,UL94V-0, SPECIAL	
	0 PLC ± -	APVD D. BOSSI 21JULY2005	SIZE	CAGE CODE
	1 PLC ± -	PRODUCT SPEC	A2	00779
	2 PLC ± -	APPLICATION SPEC	DRAWING NO	
	3 PLC ± 0.13 [.005]	108-1050	C=644315	
	4 PLC ± -	114-1019	SCALE	SHEET
	ANGLES ± -	WEIGHT	5:1	1 OF 1
MATERIAL	FINISH	CUSTOMER DRAWING	REV	C1
1	1			

单击下面可查看定价，库存，交付和生命周期等信息

[>>TE Connectivity\(泰科\)](#)