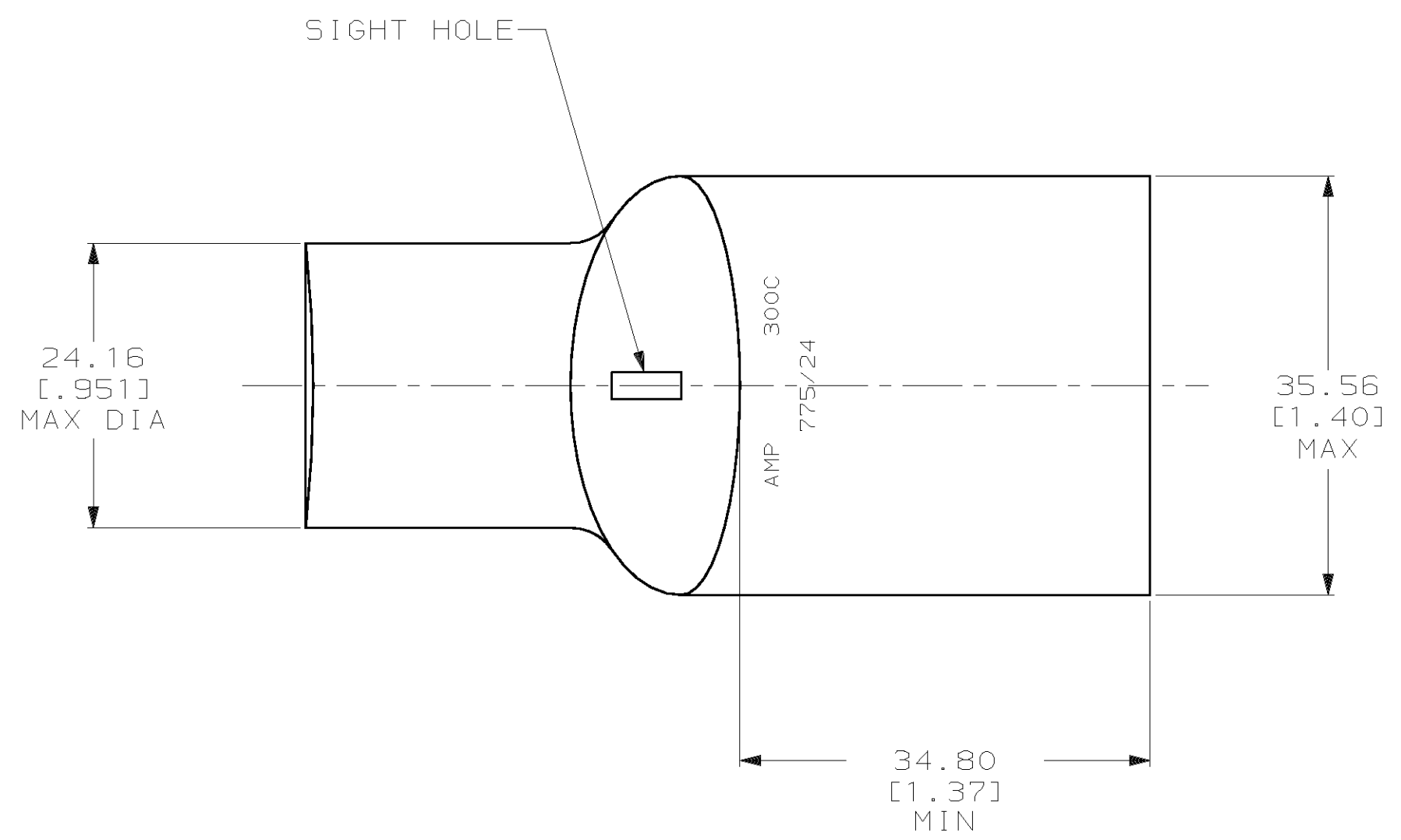
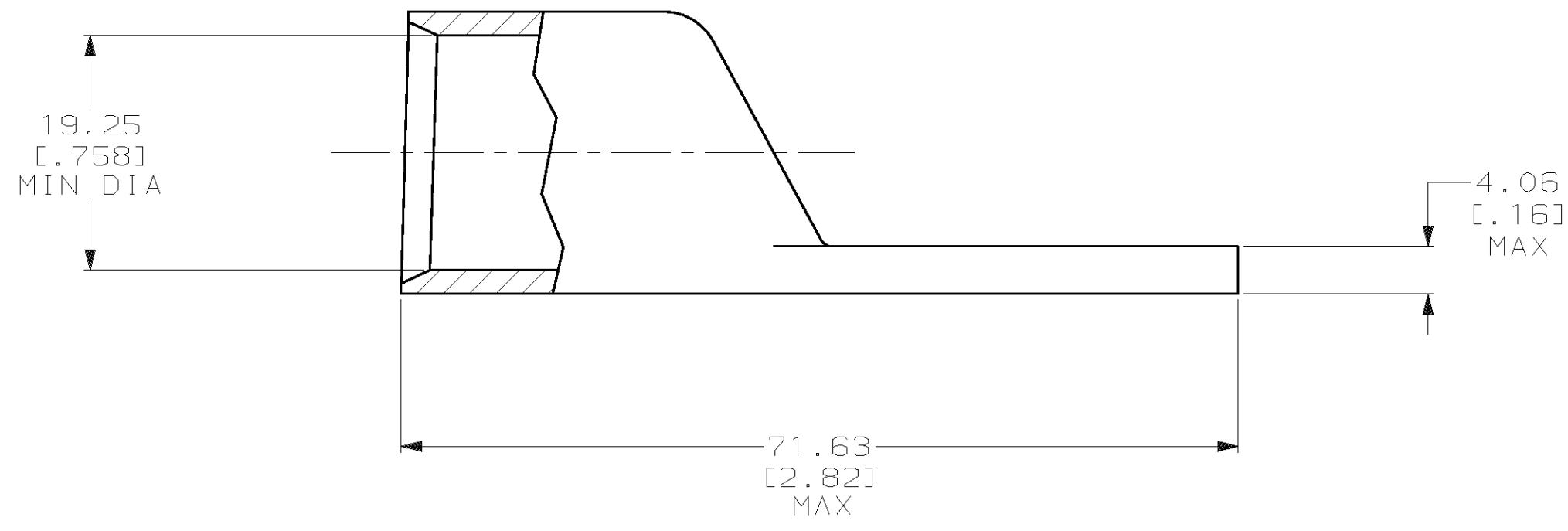


THIS DRAWING IS UNPUBLISHED. RELEASED FOR PUBLICATION, 19 .
 © COPYRIGHT 19 BY AMP INCORPORATED. ALL INTERNATIONAL RIGHTS RESERVED.

LOC		DIST		REVISIONS				DATE	APPD
ZONE	LTR	DESCRIPTION	DATE	APPD					
G	86	P	F	Y	REV PER 063A-0561-01	080CT02	JR/MS		



1 CIRCULAR MIL AREA RANGE: 275-325 MCM
 2 CLEANED, UNPLATED



DO NOT SCALE PRINT. UNLESS SPECIFIED DIMENSIONS IN mm [INCHES] TOLERANCES ON : 2 PLC DEC ± 0.51 [.020] 3 PLC DEC ± - ANGLES ± -		DR 03/09/90 DK SCHRUM	2 FINISH		2-325806-2 PART NO	
MATERIAL ANNEALED COPPER ASTM B-75	FINISH SEE TABLE	CHK 23JAN95 MS FEHER	APPD 23JAN95 WJ VOCKROTH	AMP AMP INCORPORATED Harrisburg, Pa. 17105		
		APPD 23JAN95 TL SHUTTER	PRODUCT SPEC 108-30200	NAME TERMINAL, AMPPOWER™ WIRE SIZE 300 MCM		
		APPLICATION SPEC -	WEIGHT .172 LB	SIZE C	CAGE CODE 00779	DRAWING NO 325806
				SCALE 2:1		SHEET 1 OF 1

单击下面可查看定价，库存，交付和生命周期等信息

[>>TE Connectivity\(泰科\)](#)