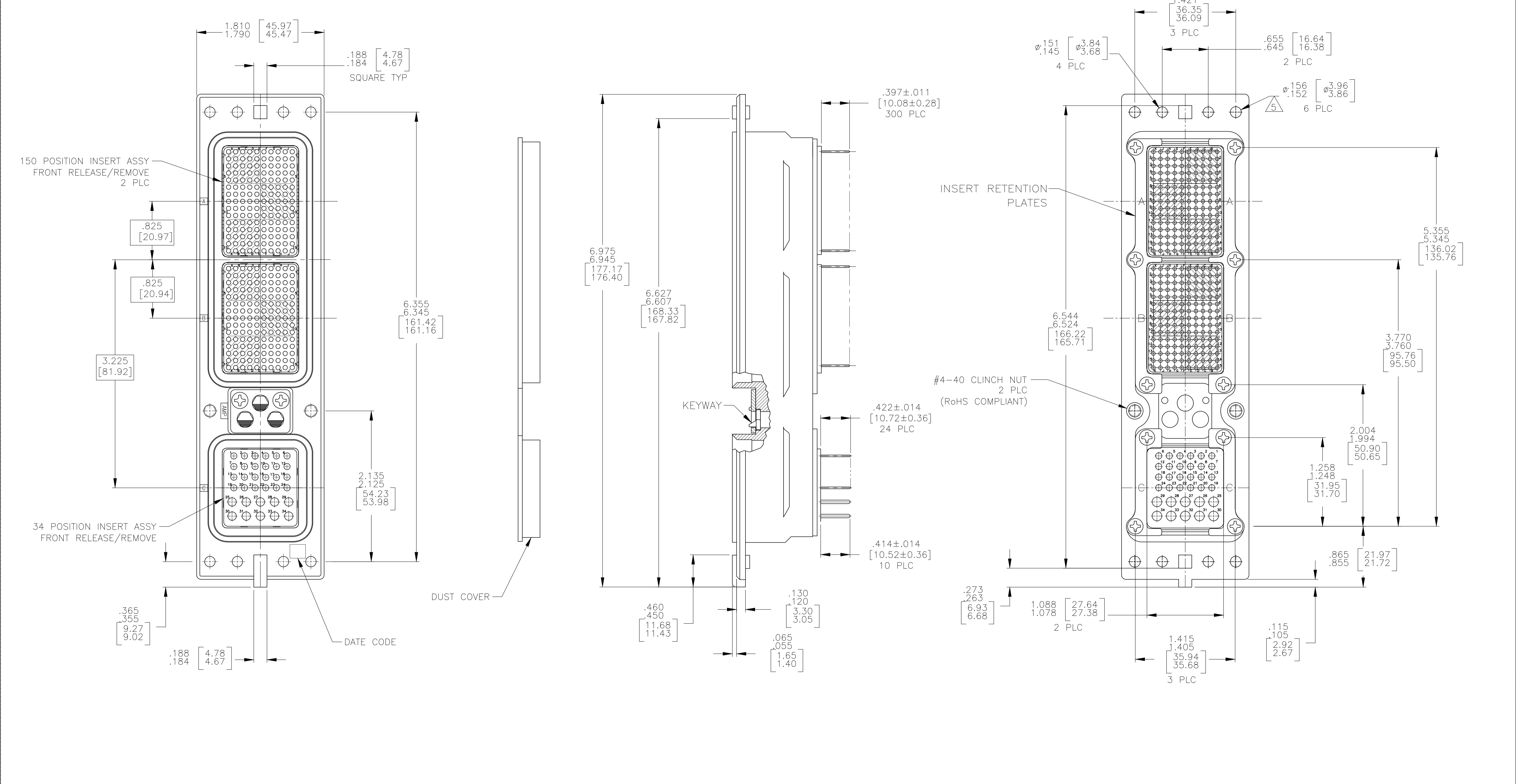


REVISONS		DATE	BY	APPROVED
E	REVISED PER ECO-17-018523	19JAN2018	PHM	CT



- CONNECTOR DIMENSIONS ARE PER ARINC 600 SPECIFICATION
  - DUST COVER INSTALLED FOR SHIPPING.
  - KEYING SHOWN IN POSITION "01" FOR REFERENCE ONLY. SEE TABLE FOR KEYING POSITION. FOR POSITION "00" KEYING SHIPPED UNASSEMBLED.
  - CONTACTS NOT SHOWN IN FRONT AND REAR VIEWS FOR CLARITY.
- 5 TWO OF THE SIX .154 NOMINAL HOLES HAVE #4-40 CLINCH NUTS INSTALLED.

COMPONENT	MATERIAL	FINISH
SHELL	DIE CAST ALUMINUM PER ASTM-B-85	CHROMATE CONVERSION PER MIL-C-5541, TYPE II, CLASS 3
INSERT RETENTION PLATES	ALUMINUM ALLOY PER ASTM-B-209	CHROMATE CONVERSION PER MIL-C-5541, TYPE II, CLASS 3
SCREWS	STEEL OR STAINLESS STEEL	STAINLESS STEEL OR PASSIVATED
POLARIZING KEYS	ZINC ALLOY PER ASTM-B-86	-
POLARIZING KEY RETAINING PLATE	ALUMINUM ALLOY PER ASTM-B-209	BLUE ANODIZED PER MIL-A-8625
INSERTS	THERMOSET OR THERMOPLASTIC PPS PER MIL-M-24519	-
DUST COVER	CONDUCTIVE THERMOPLASTIC	-

KEYING POSITION	CONTACTS INCLUDED AND INSTALLED	PART NUMBER
"01"	MODULE A 211431-6 (SZ 22 POSTED SOCKET CONTACT; QTY=150) MODULE B 211431-6 (SZ 22 POSTED SOCKET CONTACT; QTY=150) MODULE C 2-448138-6 (SZ 20 POSTED PIN CONTACT; QTY=24) 448139-6 (SZ 16 POSTED PIN CONTACT; QTY=10)	2157235-1

THIS DRAWING IS A CONTROLLED DOCUMENT.		DIN C.C.THOMAS 1-11-11	TE Connectivity
DIMENSIONS: INCHES		CHK K.THACKSTON 1-11-11	
TOLERANCES UNLESS OTHERWISE SPECIFIED:		APVD K.THACKSTON 1-11-11	NAME
0 PLC ± -	1 PLC ± -	2 PLC ± -	RCPT ASSY, SIZE 2, ARINC 600 (150/150/34), FR
3 PLC ± -	4 PLC ± -	ANGLES ± -	APPLICATION SPEC
MATERIAL SEE TABLE	FINISH SEE TABLE	WEIGHT	SIZE CAGE CODE DRAWING NO. RESTRICTED TO
			A1 00779 C=2157235
CUSTOMER DRAWING		SCALE 3:2	SHEET 1 OF 1 REV E

单击下面可查看定价，库存，交付和生命周期等信息

[>>TE Connectivity\(泰科\)](#)