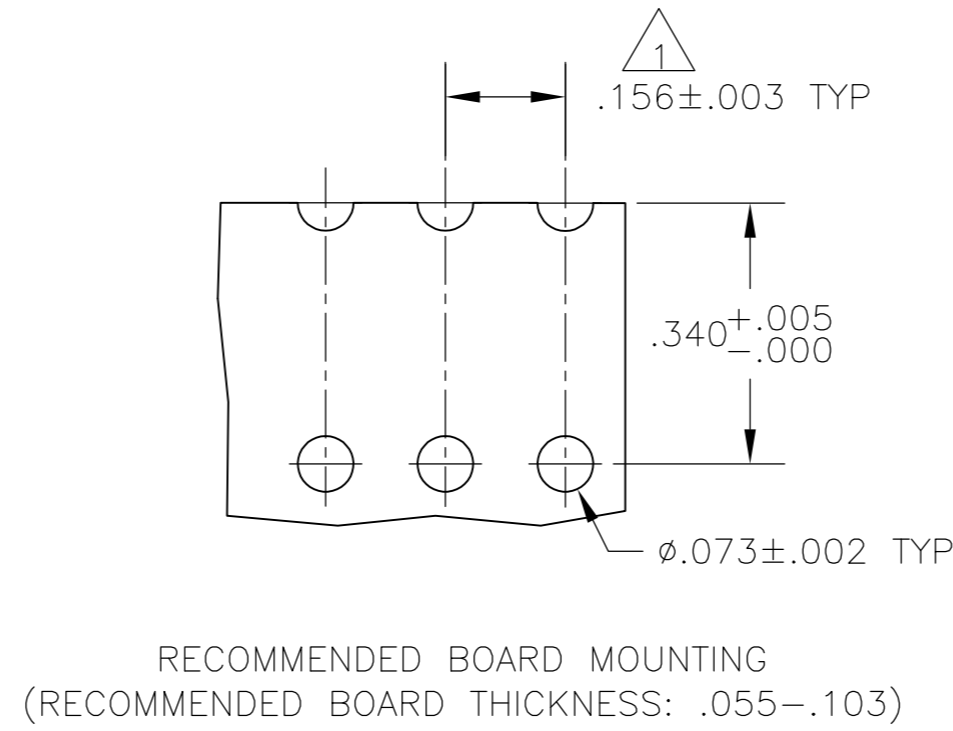
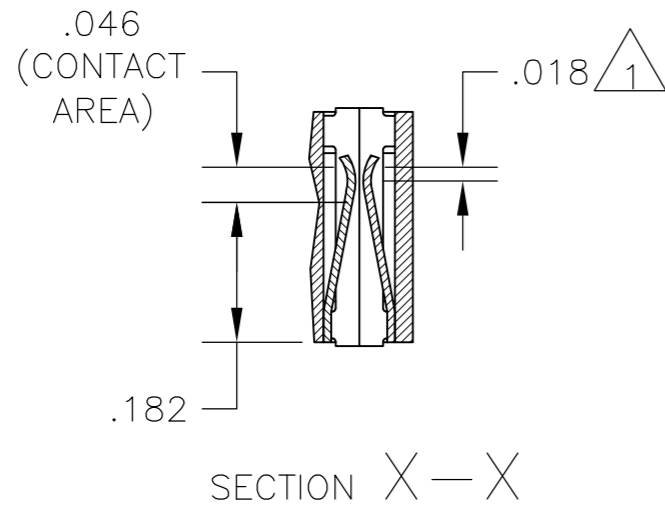
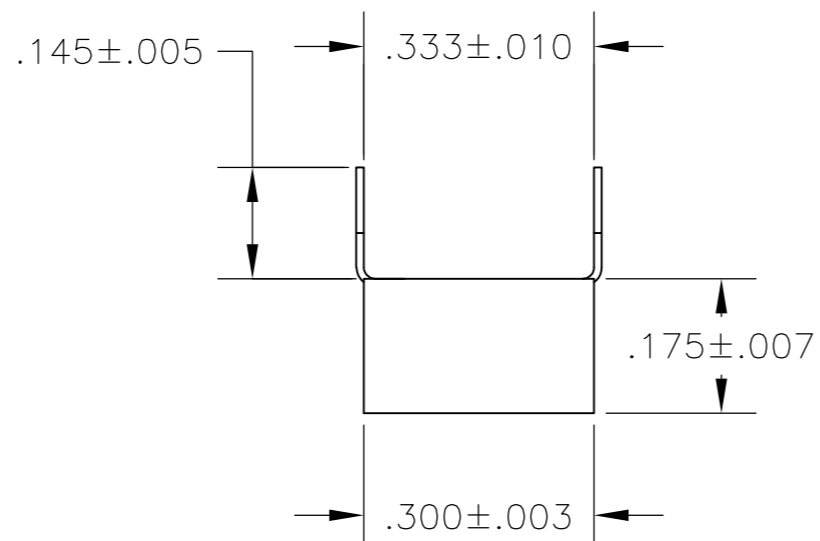
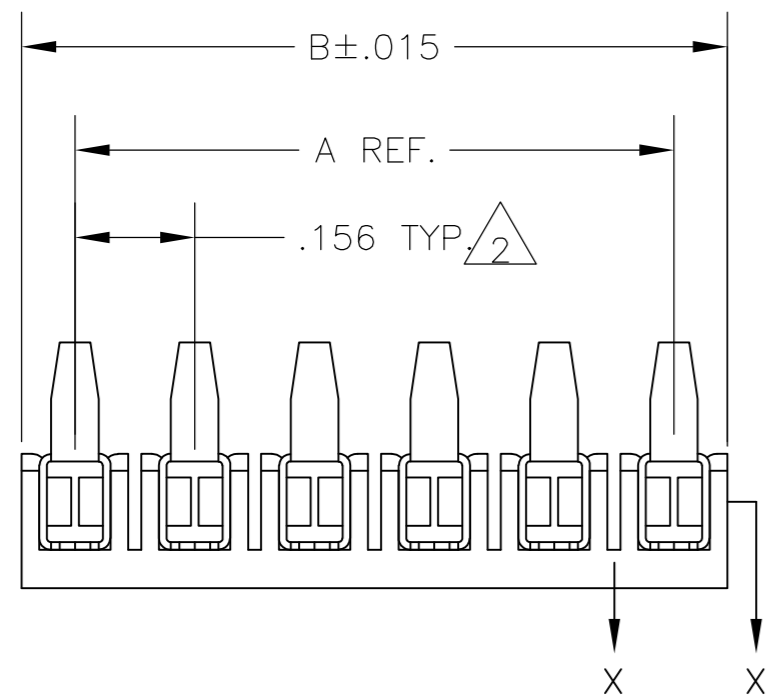
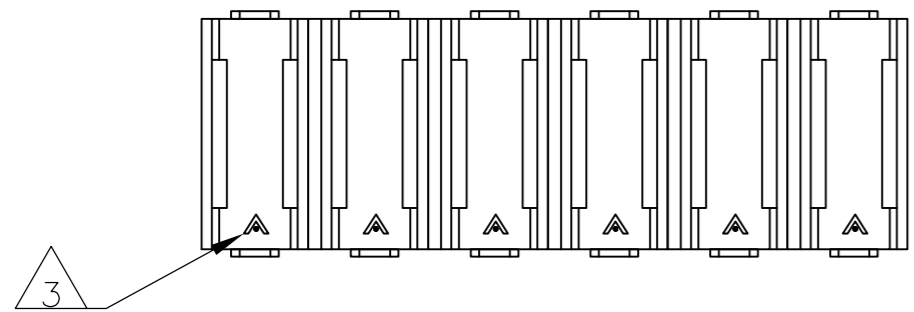


THIS DRAWING IS UNPUBLISHED. RELEASED FOR PUBLICATION
 © COPYRIGHT BY TYCO ELECTRONICS CORPORATION. ALL RIGHTS RESERVED.

LOC		DIST		REVISIONS			
P	LTR	DESCRIPTION	DATE	DWN	APVD		
	L1	REVISED ECO-09-024927	06NOV09	KK	AEG		



- △ 1 POINT OF MEASUREMENT FOR PLATING THICKNESS (INSIDE OF BEAMS).
- △ 2 TOLERANCE NON-CUMULATIVE.
- △ 3 THE MATING END OF THE CONTACT IS IDENTIFIED BY THE LETTER "A" STAMPED ON THE RECEPTACLE BOX.
- △ 4 OBSOLETE PARTS: OBSOLETE CIS STREAMLINING PER D.RENAUD/D.SINISI



	3.120	2.964	20	2-87987-0
OBSOLETE △ 4	2.964	2.808	19	1-87987-9
	2.808	2.652	18	1-87987-8
	2.652	2.496	17	1-87987-7
	2.496	2.340	16	1-87987-6
	2.340	2.184	15	1-87987-5
	2.184	2.028	14	1-87987-4
	2.028	1.872	13	1-87987-3
	1.872	1.716	12	1-87987-2
	1.716	1.560	11	1-87987-1
	1.560	1.404	10	1-87987-0
1.404	1.248	9	87987-9	
1.248	1.092	8	87987-8	
1.092	.936	7	87987-7	
.936	.780	6	87987-6	
.780	.624	5	87987-5	
OBSOLETE △ 4	.624	.468	4	87987-4
	.468	.312	3	87987-3
	.312	.156	2	87987-2
B	A	NO OF POSN	ASSEMBLY PART NUMBER	

THIS DRAWING IS A CONTROLLED DOCUMENT.		DWN L A MAYER 17MAR86	Tyco Electronics Corporation Harrisburg, Pa 17105-3608	
DIMENSIONS: INCHES		CHK P deJONG 17MAR86	NAME	
TOLERANCES UNLESS OTHERWISE SPECIFIED:		APVD P deJONG 17MAR86	ASSY, MOD I, BOARD MOUNT RECP, .156 CL, STD PRESSURE, TYPE C, FOR ROUND HOLE MOUNTING	
0 PLC ± -		PRODUCT SPEC 108-25,016	SIZE A2	CAGE CODE 00779
1 PLC ± -		APPLICATION SPEC 114-25,004	DRAWING NO C=87987	RESTRICTED TO -
2 PLC ± -		WEIGHT -	SCALE 4:1	SHEET 1 OF 1
3 PLC ± .005		CUSTOMER DRAWING	REV L1	
4 PLC ± -				
ANGLES ± -				
FINISH				
MATERIAL HOUSING-FLAME RETARDANT THERMOPLASTIC, COLOR-BLACK CONTACTS-PHOS BRONZE		CONTACTS: .00079 MIN TIN		

单击下面可查看定价，库存，交付和生命周期等信息

[>>TE Connectivity\(泰科\)](#)