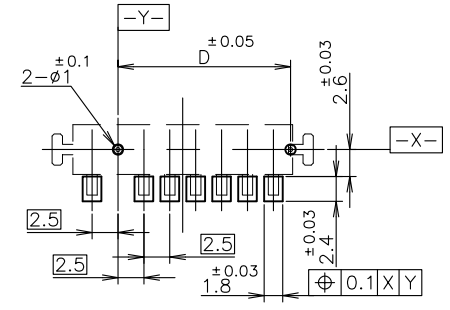
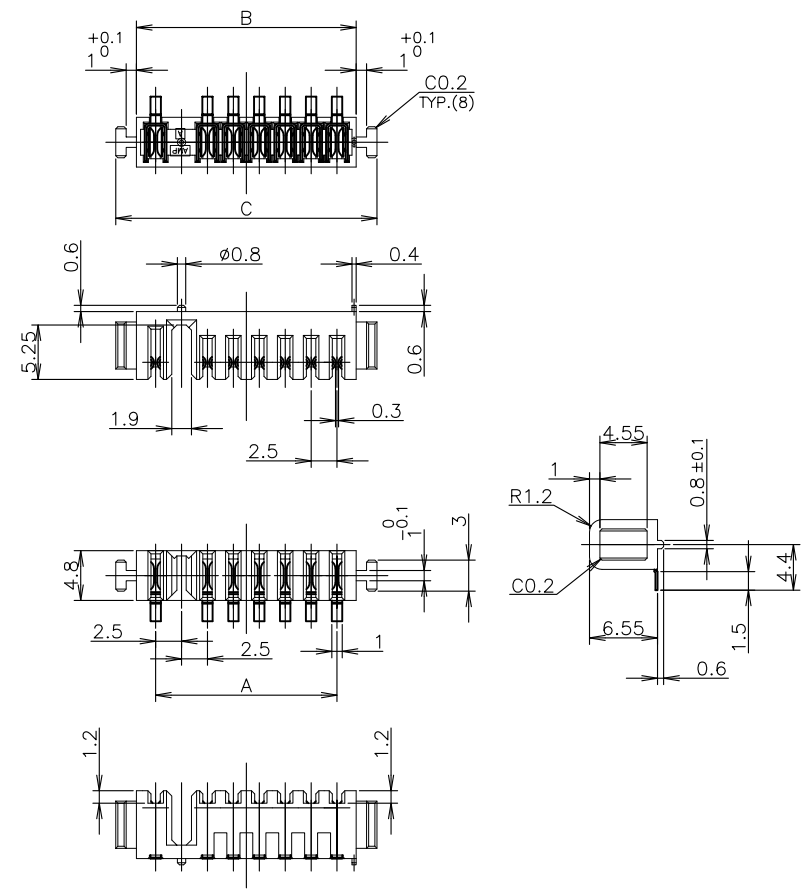


LOC		DIST		REVISIONS			DATE	DWN	APVD
ES				P	LTR	DESCRIPTION			
				B1	REVISED	ECR-08-009526	15MAR2008	A.S	S.Y



REFERENCE P.C. BOARD LAYOUT  
P.C. BOARD THK 0.8~1.2  
(VIEW FROM CONNECTOR MOUNTING SIDE)

- △ MATERIAL HOUSING : THERMOPLASTIC RESIN , UL94V-0  
COLOR ; BLACK  
CONTACT : COPPER ALLOY
- △ FINISH CONTACT : Ni ALL OVER UNDER PLATING  
Pd-Ni PLATING AT CONTACT AREA  
Au FLASH PLATING AT CONTACT AREA  
TIN PLATING AT LEAD AREA

3. CONNECTOR TO BE MATED : 1318573-4

24.15	32.7	28.7	25	10	
21.65	30.2	26.2	22.5	9	
19.15	27.7	23.7	20	8	
16.65	25.2	21.2	17.5	7	1318574-4
14.15	22.7	18.7	15	6	
11.65	20.2	16.2	12.5	5	
9.15	17.7	13.7	10	4	
D	C	B	A	N (POS)	P/N

GENERAL TOLERANCE  
10 ≥ : ±0.2  
30 ≥ > 10 : ±0.25  
100 ≥ > 30 : ±0.3  
ANGLES : ±3°

THIS DRAWING IS A CONTROLLED DOCUMENT.		DWN T.KUSUHARA 17MAY99	Tyco Electronics Corporation Shanghai P.R.CHINA	
DIMENSIONS: mm		CHK T.YAMADA 17MAY99	NAME	
TOLERANCES UNLESS OTHERWISE SPECIFIED: 0 PLC ± - 1 PLC ± - 2 PLC ± - 3 PLC ± - 4 PLC ± - ANGLES ± -		APVD T.YAMADA 17MAY99	RECEPTACLE ASSEMBLY 2.5mm PITCH BATTERY CONNECTOR REVERSE SEQUENTIAL PIN	
MATERIAL		PRODUCT SPEC 108-5599	SIZE A3	CAGE CODE 00779
FINISH		APPLICATION SPEC	DRAWING NO G=1318574	RESTRICTED TO
WEIGHT		CUSTOMER DRAWING		
SCALE 2:1		SHEET 1 OF 1		REV B1

单击下面可查看定价，库存，交付和生命周期等信息

[>>TE Connectivity\(泰科\)](#)