

P	LTR	DESCRIPTION	DATE	DWN	APVD
E		REVISED PER ECR-15-003625	27OCT2021	ED	WH
D		ECO-11-010041	16MAY2011	TITAN	MARTIN

NOTES:

- ① PACK IN ACCORDANCE WITH AMP SPEC 107-3275
- ② 100 TRAY PACK IN ACCORDANCE WITH AMP SPEC 107-3275
- ③ Au PLATING
- ④ Ni PLATING
- ⑤ Sn PLATING

6 ELECTRICAL CHARACTERISTICS

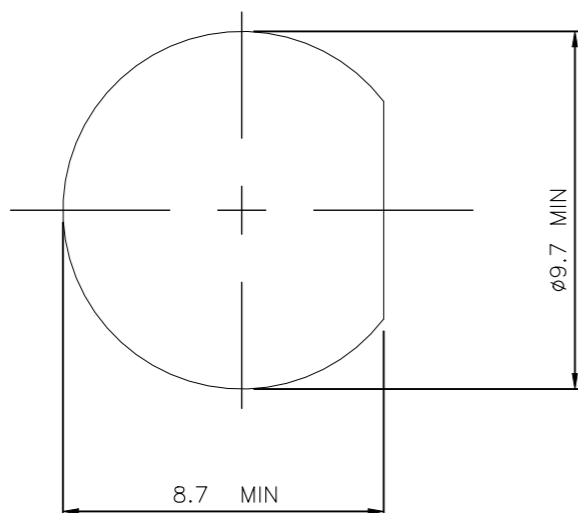
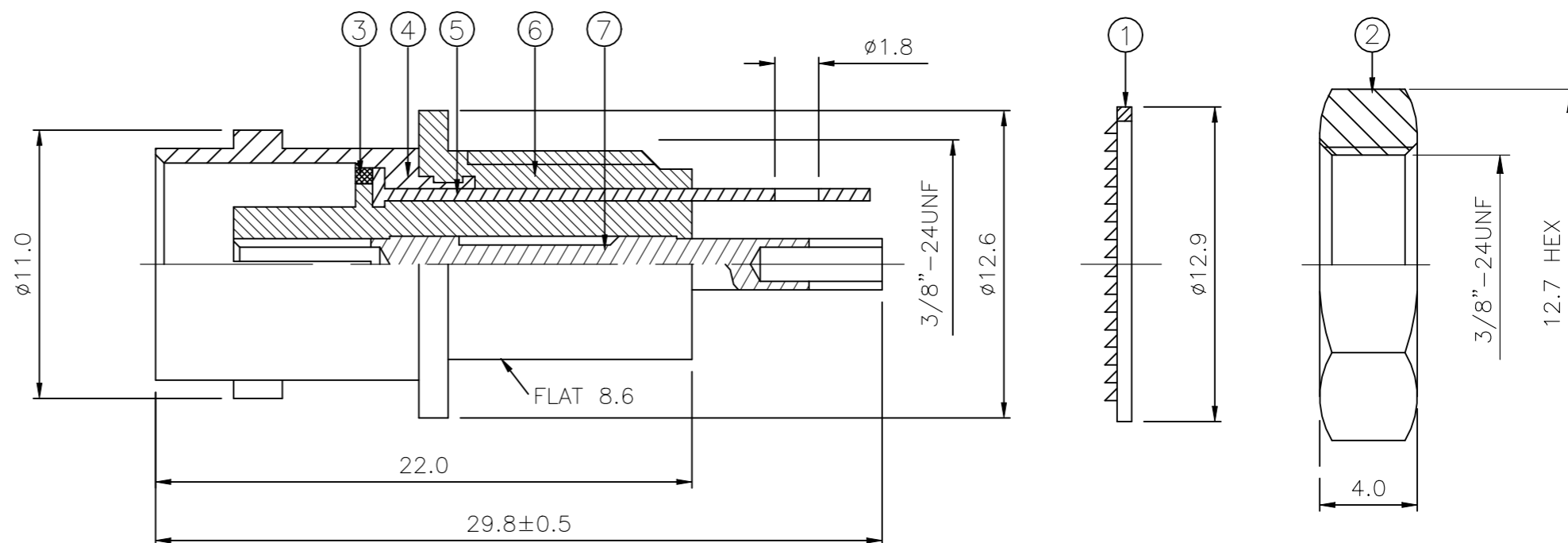
FREQUENCY RANGE: DC - 4 GHz
 NOMINAL IMPEDANCE: 50 Ohms
 INSULATION RESISTANCE: 5000 MOhms Min.
 WORKING VOLTAGE: 500 Volts RMS at Sea Level
 DIELECTRIC WITHSTAND VOLTAGE: 1500 Volts RMS Max
 CONTACT RESISTANCE:
 CENTRE CONTACT: 1.50 mOhms Max
 OUTER CONTACT: 1.0 mOhms Max
 VSWR @ xGHz: 1.3 MAX. @1 GHz
 INSERTION LOSS xdb: 0.2 dB MAX. @1 GHz

7 MECHANICAL CHARACTERISTICS

INTERFACE IN ACCORDANCE WITH: MIL-STD-348A
 DURABILITY: 500 MATINGS

8 ENVIRONMENTAL CHARACTERISTICS

OPERATING TEMPERATURE: -40 to +60 DegC



MOUNTING HOLE

QTY	QTY PER ASSY	MATERIAL	DESCRIPTION	ITEM
1	1	BRASS	CENTER CONTACT	7
1	1	ABS	BODY I	6
1	1	BRASS	GROUNDING TAB	5
1	1	BRASS	BODY II	4
1	1	BRASS	WASHER	3
1	1	BRASS	NUT	2
1	1	STEEL	WASHER	1
6--0	1--0	MATERIAL	DESCRIPTION	ITEM

THIS DRAWING IS A CONTROLLED DOCUMENT.		DWN J.SANDWELL 13DEC05	STE TE Connectivity	
DIMENSIONS: mm		CHK S.PARLOW 13DEC05		
TOLERANCES UNLESS OTHERWISE SPECIFIED:		APVD F.WHEELER-KING 13DEC05	NAME BNC INSULATED BULKHEAD SOCKET FRONT MOUNT 50 OHM	
0 PLC ± -		PRODUCT SPEC	APPLICATION SPEC	
1 PLC ± 0.2		SIZE CAGE CODE DRAWING NO RESTRICTED TO		
2 PLC ± 0.1		WEIGHT 0.000000 A3 00779 C-1337452		
3 PLC ± 0.05		CUSTOMER DRAWING		
4 PLC ± -		SCALE NTS SHEET 1 OF 1 REV E		
ANGLES ± 5°				
FINISH				
MATERIAL SEE TABLE				
SEE TABLE				

单击下面可查看定价，库存，交付和生命周期等信息

[>>TE Connectivity\(泰科\)](#)