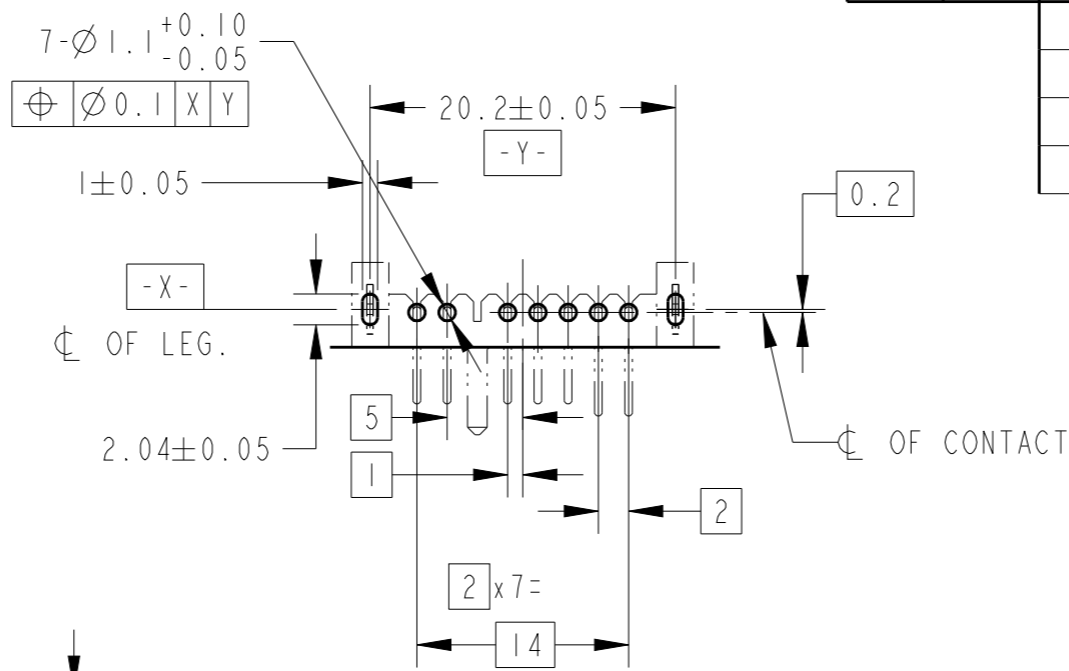
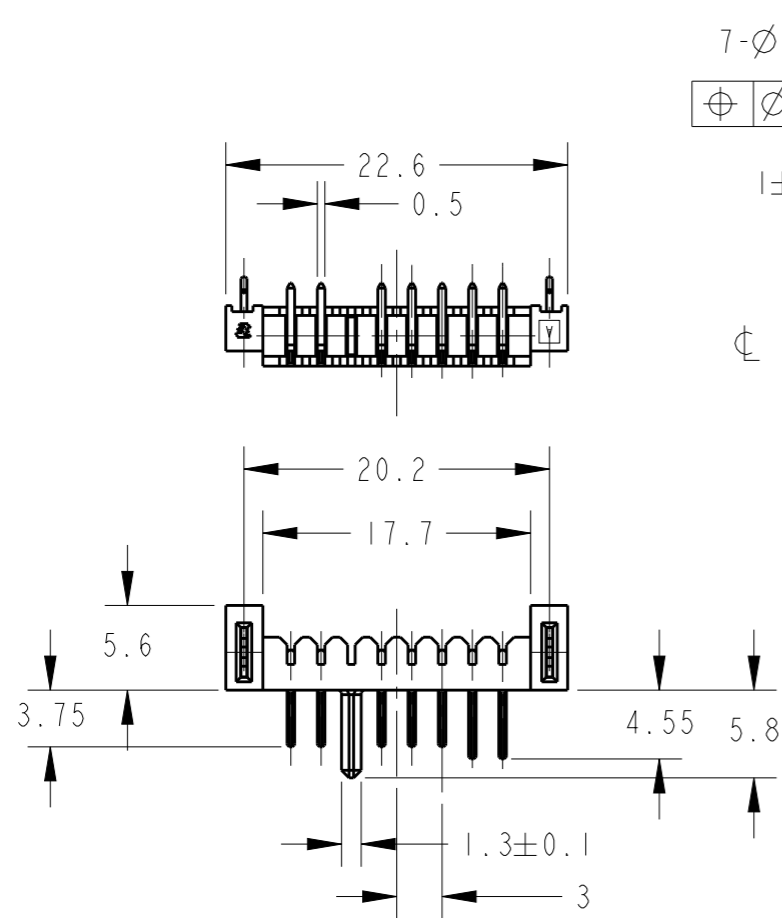


THIS DRAWING IS UNPUBLISHED. RELEASED FOR PUBLICATION 20
 © COPYRIGHT 20 ALL RIGHTS RESERVED.

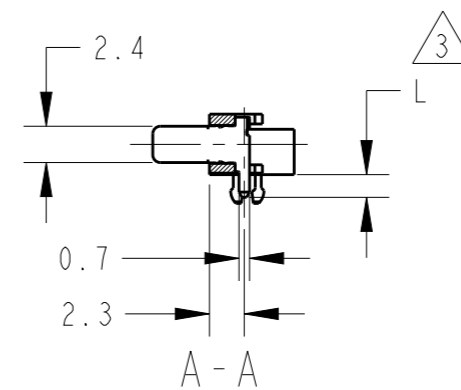
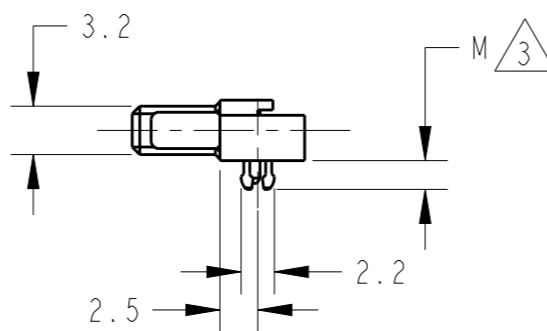
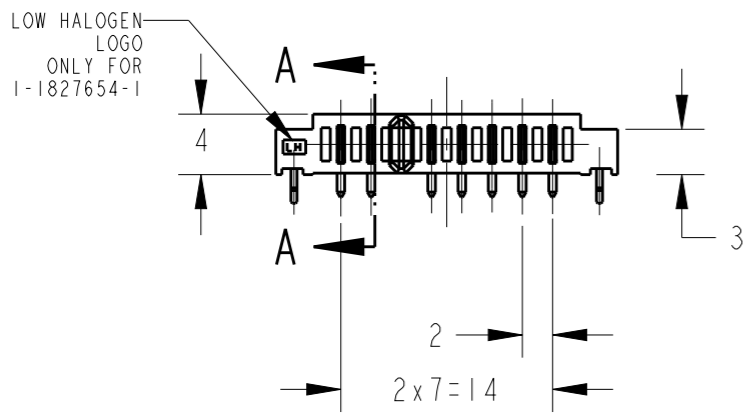
LOC	DIST	REVISIONS				
P	LTR	DESCRIPTION	DATE	DWN	APVD	
ES	-	D1	REVISED PER ECO-11-005033	16APR2011	RK	HMR
		D2	REVISED PER ECR-13-003041	20FEB2013	E, L	S. Y
		D3	REVISED PER ECR-13-007095	26APR2013	E. L	S. Y



REFERENCE P.C BOARD LAYOUT
 P.C. BOARD THK. 0.8~1.2
 (VIEW FROM CONNECTOR MOUNTING SIDE)

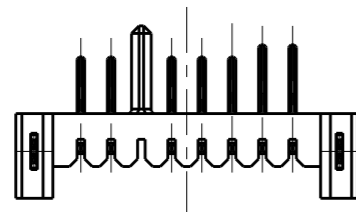
1 MATERIAL
 CONTACT: COPPER ALLOY
 HOUSING: THERMOPLASTIC RESIN UL94V-0 BLACK
 RETENTION LEG: COPPER ALLOY


2 FINISH
 CONTACT: NICKEL ALL OVER UNDER PLATING,
 GOLD PLATING AT CONTACT AREA,
 GOLD FLASH PLATING AT LEAD AREA,
 RETENTION LEG: NICKEL ALL OVER UNDER PLATING,
 TIN PLATING.



1827654-1, 1-1827654-1: AS SHOWN

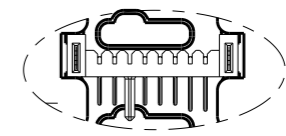
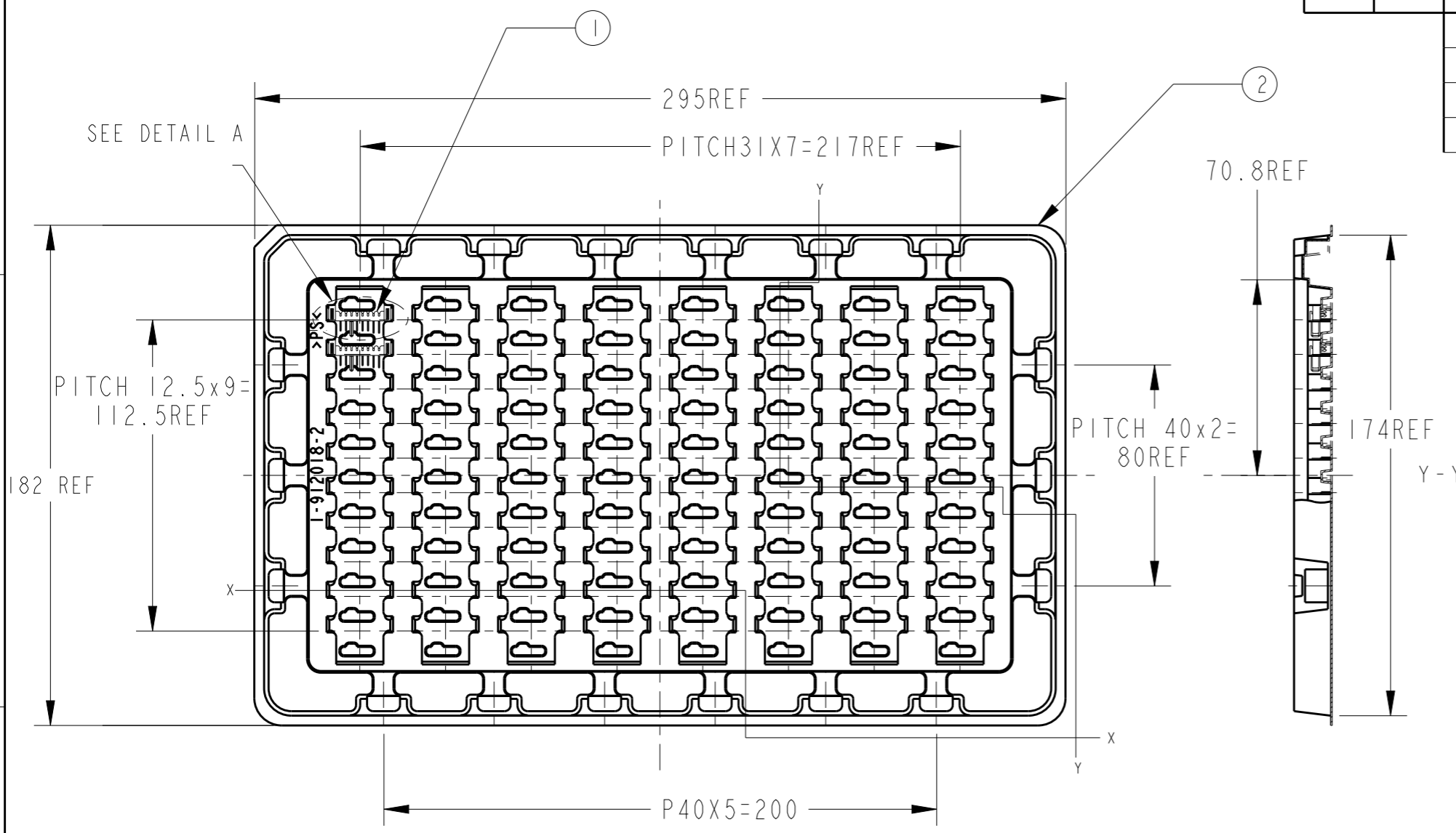
THERMOPLASTIC RESIN (LOW HALOGEN: BR<900PPM, CL<900PPM, BR+CL<1500ppm)	1.9	1.5	1-1827654-1
THERMOPLASTIC RESIN	2.6	2.1	1827654-2
THERMOPLASTIC RESIN	1.9	1.5	1827654-1
HOUSING MATERIAL	DIM "M"	DIM "L"	P/N



THIS DRAWING IS A CONTROLLED DOCUMENT.		DWN T. KATANO 04JUL05	 TE Connectivity	
DIMENSIONS: mm		CHK T. KIMURA 04JUL05		
TOLERANCES UNLESS OTHERWISE SPECIFIED: ±0.3		APVD T. KIMURA 04JUL05		
∅ PLC ± 1 PLC ±0.1 2 PLC ±0.01 3 PLC ±0.001 4 PLC ±0.0001 ANGLES ±3°		PRODUCT SPEC 108-78292		
MATERIAL SEE NOTE		FINISH SEE NOTE	NAME PLUG ASSEMBLY 7POS. 2mm PITCH BATTERY CONNECTOR	
WEIGHT 1.0g		SIZE A3	CAGE CODE 00779	DRAWING NO C=1827654
CUSTOMER DRAWING		SCALE 2:1	SHEET 1	OF 2
		REV D3		

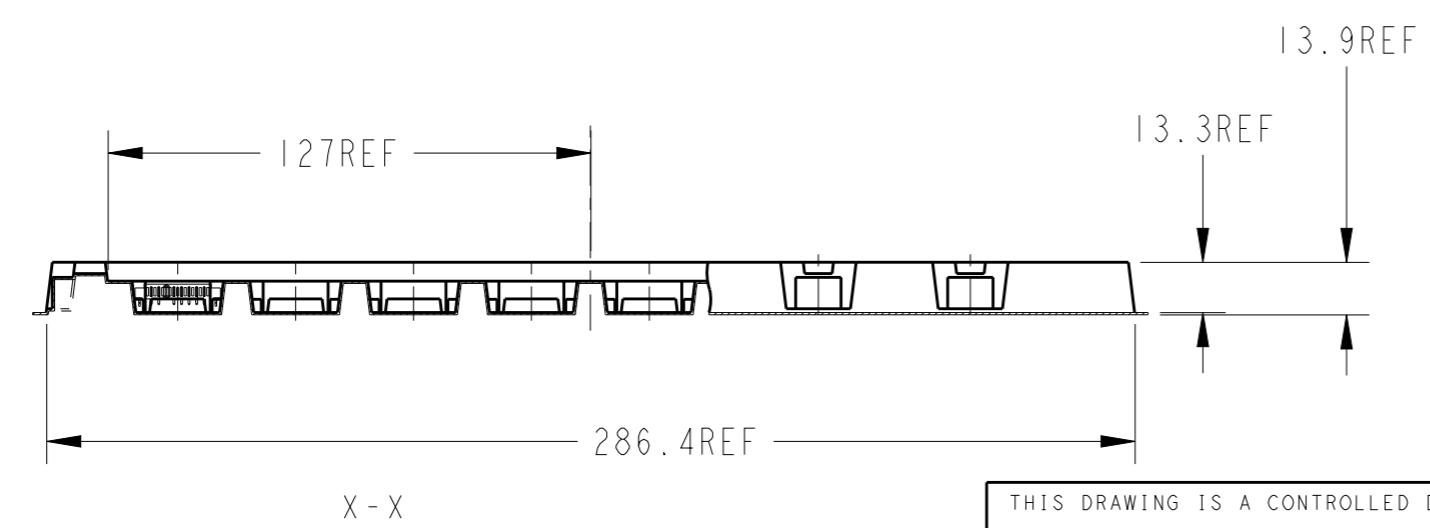
THIS DRAWING IS UNPUBLISHED. RELEASED FOR PUBLICATION 20
 © COPYRIGHT 20 ALL RIGHTS RESERVED.


LOC	DIST	REVISIONS			
P	LTR	DESCRIPTION	DATE	DWN	APVD
ES	-	SEE SHEET 1	-	-	-



DETAIL A
SCALE 1:1

AS SHOWN: 1827654-1/-2
1-1827654-1



THIS DRAWING IS A CONTROLLED DOCUMENT.		DWN	T. KATANO	04JUL05	 TE Connectivity
DIMENSIONS: mm		CHK	T. KIMURA	04JUL05	
TOLERANCES UNLESS OTHERWISE SPECIFIED:		APVD	T. KIMURA	04JUL05	
0 PLC ±.0 1 PLC ±0.1 2 PLC ±0.01 3 PLC ±0.001 4 PLC ±0.0001 ANGLES ±3°		NAME		PLUG ASSEMBLY 7POS. 2mm PITCH BATTERY CONNECTOR	
MATERIAL	SEE NOTE	FINISH	SEE NOTE	PRODUCT SPEC	108-78292
		WEIGHT	1.0g	APPLICATION SPEC	-
		CUSTOMER DRAWING	SCALE 1:1	SIZE	A3
				CAGE CODE	00779
				DRAWING NO	1827654
				RESTRICTED TO	-
				SHEET	2 OF 2
				REV	D3

单击下面可查看定价，库存，交付和生命周期等信息

[>>TE Connectivity\(泰科\)](#)