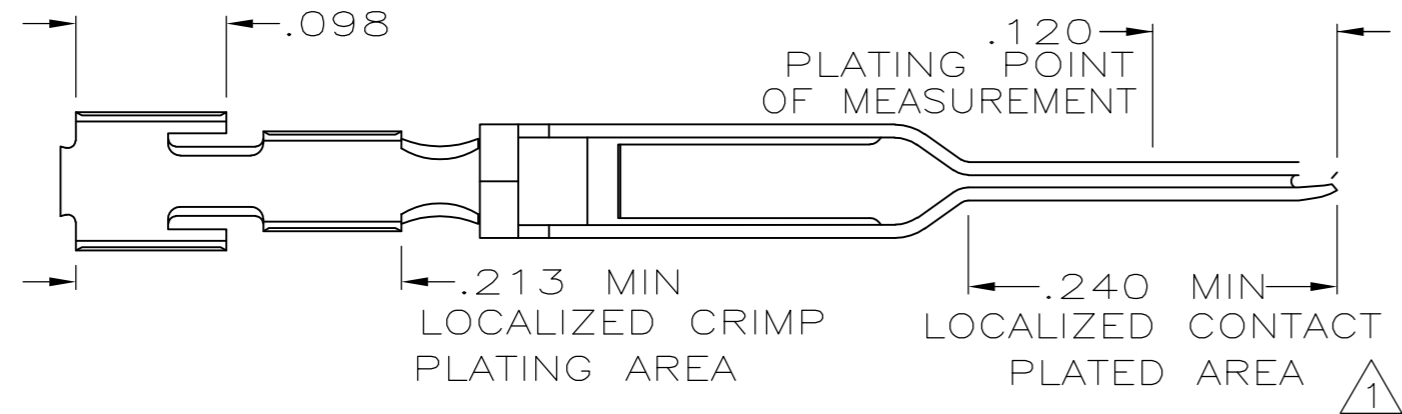
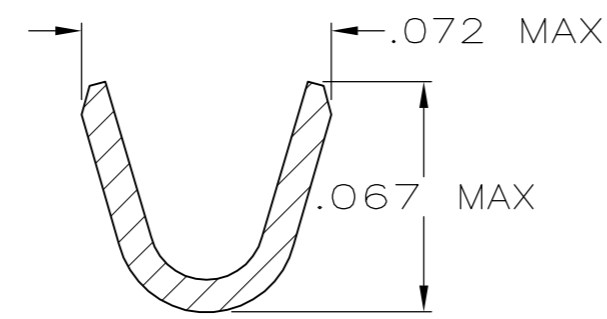
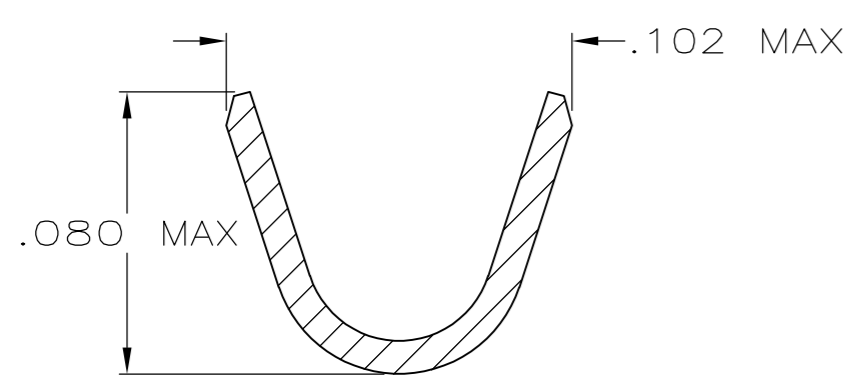
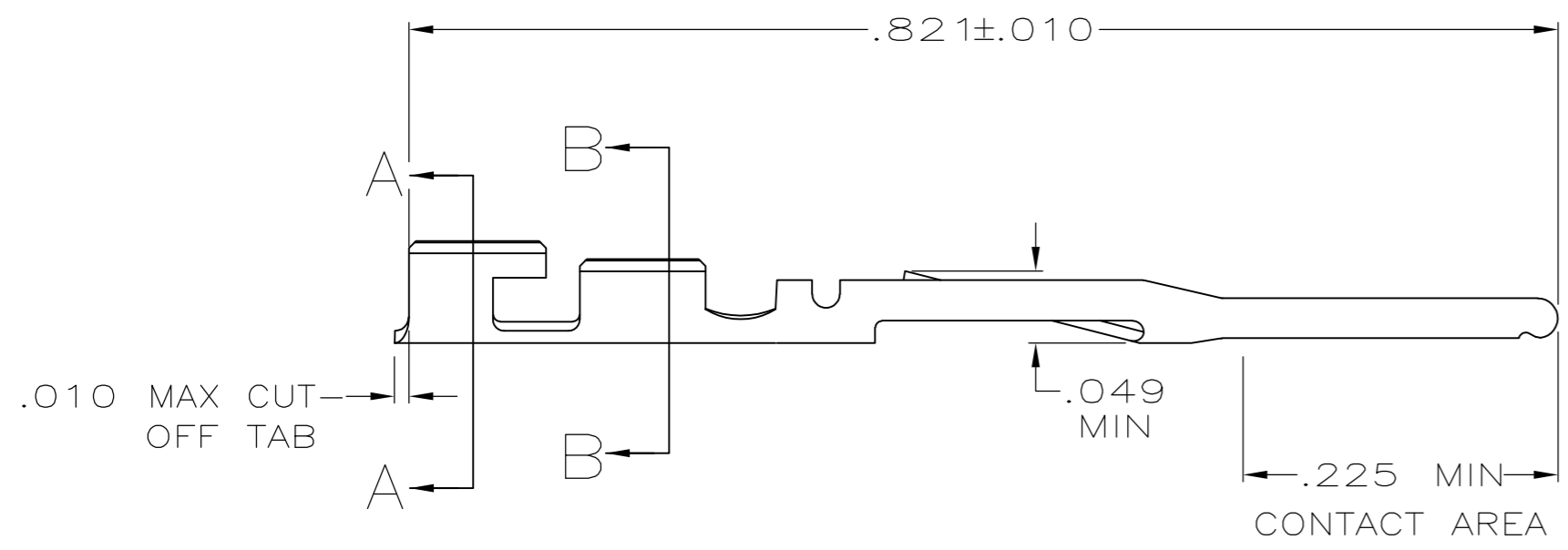


THIS DRAWING IS UNPUBLISHED. RELEASED FOR PUBLICATION
 © COPYRIGHT BY TYCO ELECTRONICS CORPORATION. ALL RIGHTS RESERVED.

LOC	DIST	REVISIONS					
GP	00	P	LTR	DESCRIPTION	DATE	DWN	APVD
		H		REVISED PER ECO-09-001588	03JUN2009	CJV	CWR



- 1 FINISH: .000100 MIN THK BRIGHT TIN-LEAD IN LOCALIZED CRIMP PLATING AREA AND .000015 THK GOLD IN LOCALIZED CONTACT PLATING AREA OVER .000050 MIN THK NICKEL ON ENTIRE CONTACT.
 -OR-
 .000100 MIN THK BRIGHT TIN-LEAD IN LOCALIZED CRIMP PLATING AREA, GOLD FLASH OVER PALLADIUM-NICKEL, .000015 MIN TOTAL THK IN LOCALIZED CONTACT PLATING AREA, BOTH OVER .000050 MIN THK NICKEL ON ENTIRE CONTACT.
- 2. FOR 22-24 AWG WIRE WITH AN INSULATION RANGE OF .040-.056 DIA.
- 3 FINISH: .000100 MIN THK TIN IN LOCALIZED CRIMP PLATING AREA AND .000015 THK GOLD IN LOCALIZED CONTACT PLATING AREA OVER .000050 MIN THK NICKEL ON ENTIRE CONTACT.
 -OR-
 .000100 MIN THK TIN IN LOCALIZED CRIMP PLATING AREA, GOLD FLASH OVER PALLADIUM-NICKEL, .000015 MIN TOTAL THK IN LOCALIZED CONTACT PLATING AREA, BOTH OVER .000050 MIN THK NICKEL ON ENTIRE CONTACT.



	3	494033-3	494034-2
OBSOLETE	1	494033-2	494034-1
	FINISH	REELED PART NO	PART NO

THIS DRAWING IS A CONTROLLED DOCUMENT.		DWN J. GALLUCCI 6-27-89	Tyco Electronics Corporation Harrisburg, PA 17105-3608	
DIMENSIONS: INCHES		CHK D.L. ROCKER 6-28-89	NAME	
TOLERANCES UNLESS OTHERWISE SPECIFIED:		APVD -	PRODUCT SPEC	
0 PLC ± -		108-9024		
1 PLC ± -		APPLICATION SPEC		
2 PLC ± -		114-16003		
3 PLC ± .005		SIZE A2	CAGE CODE 00779	DRAWING NO C=494034
4 PLC ± -		WEIGHT -	RESTRICTED TO -	
ANGLES ± -		CUSTOMER DRAWING		
FINISH SEE TABLE		SCALE 8:1	SHEET 1 of 1	REV H

494034

单击下面可查看定价，库存，交付和生命周期等信息

[>>TE Connectivity\(泰科\)](#)