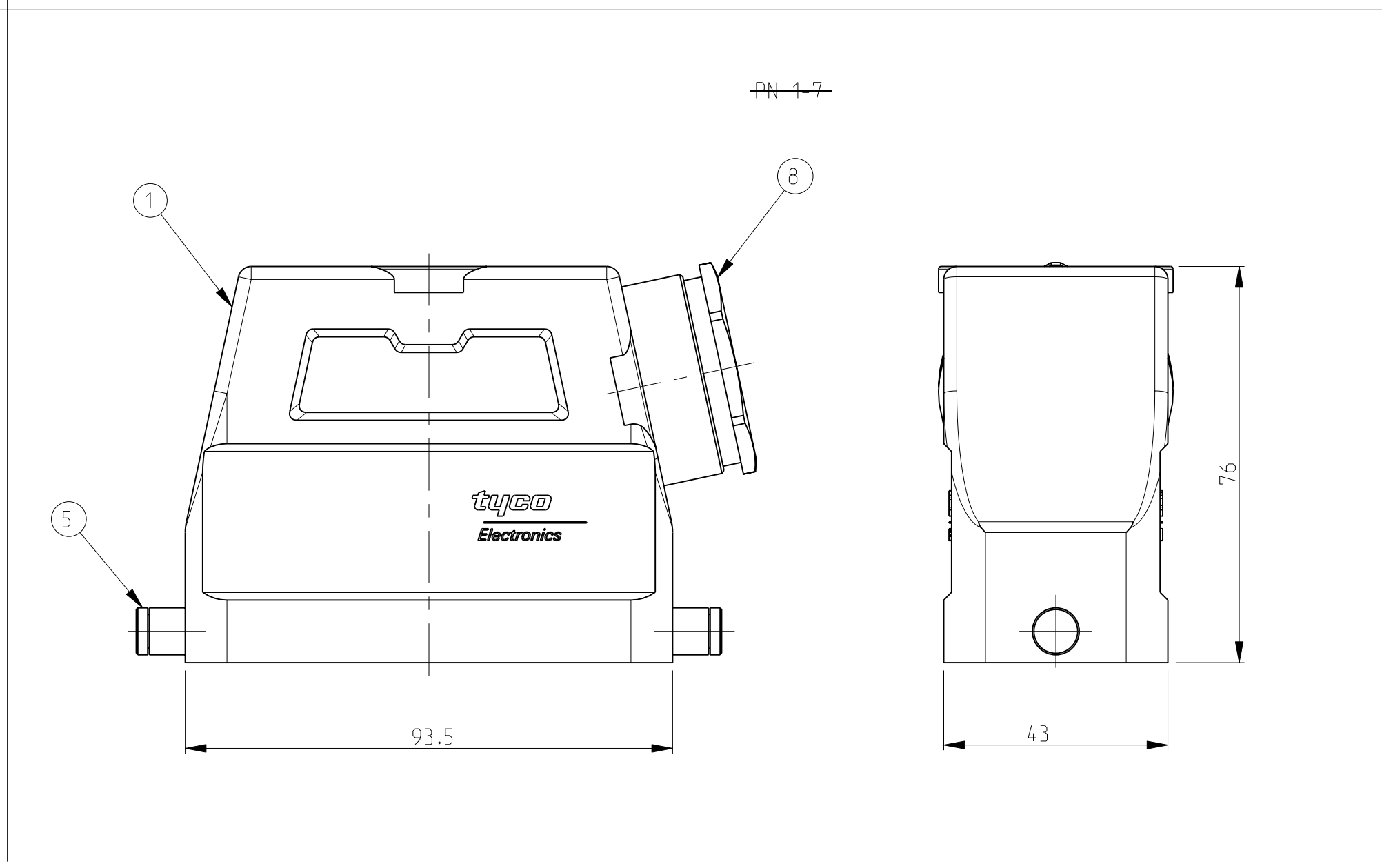
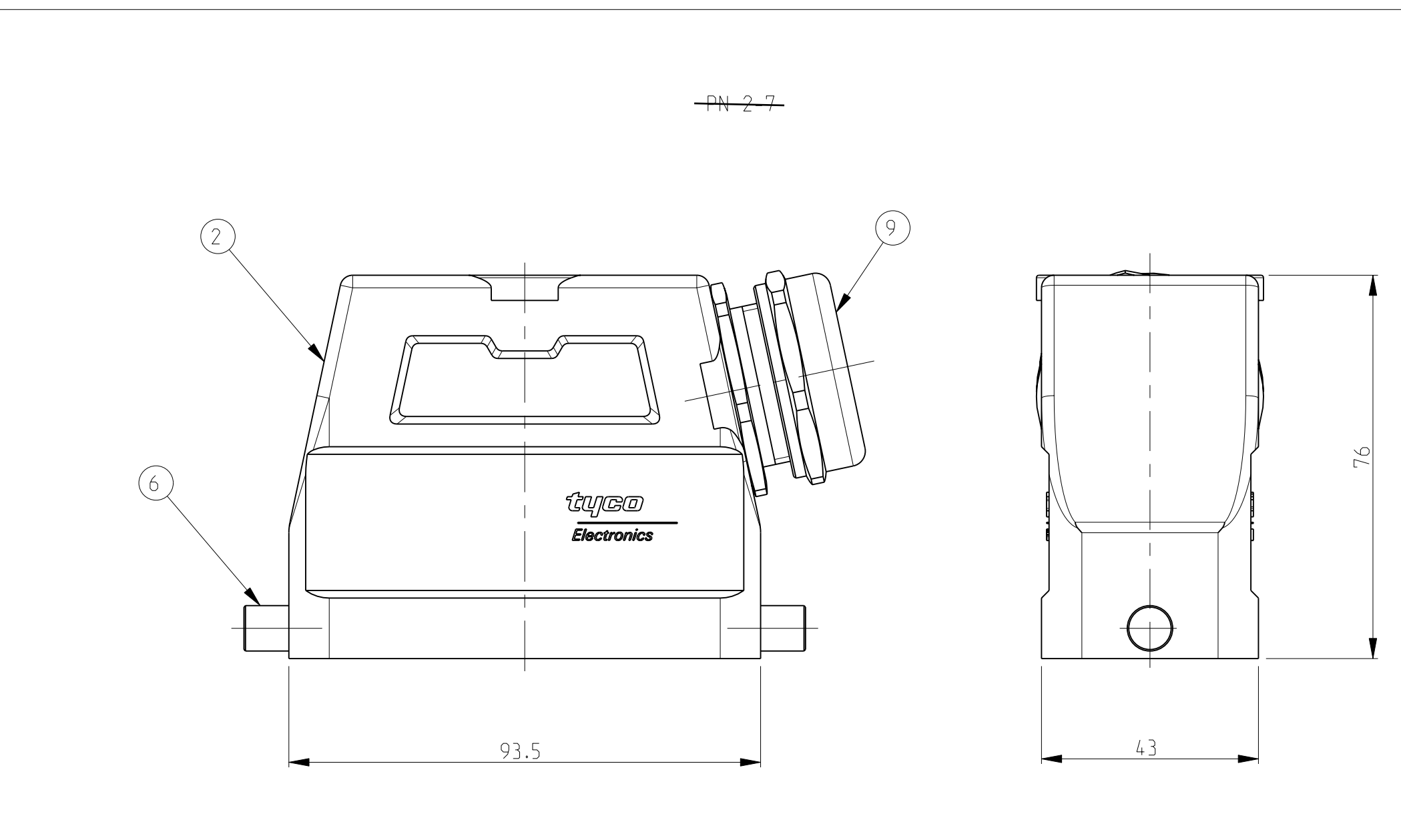
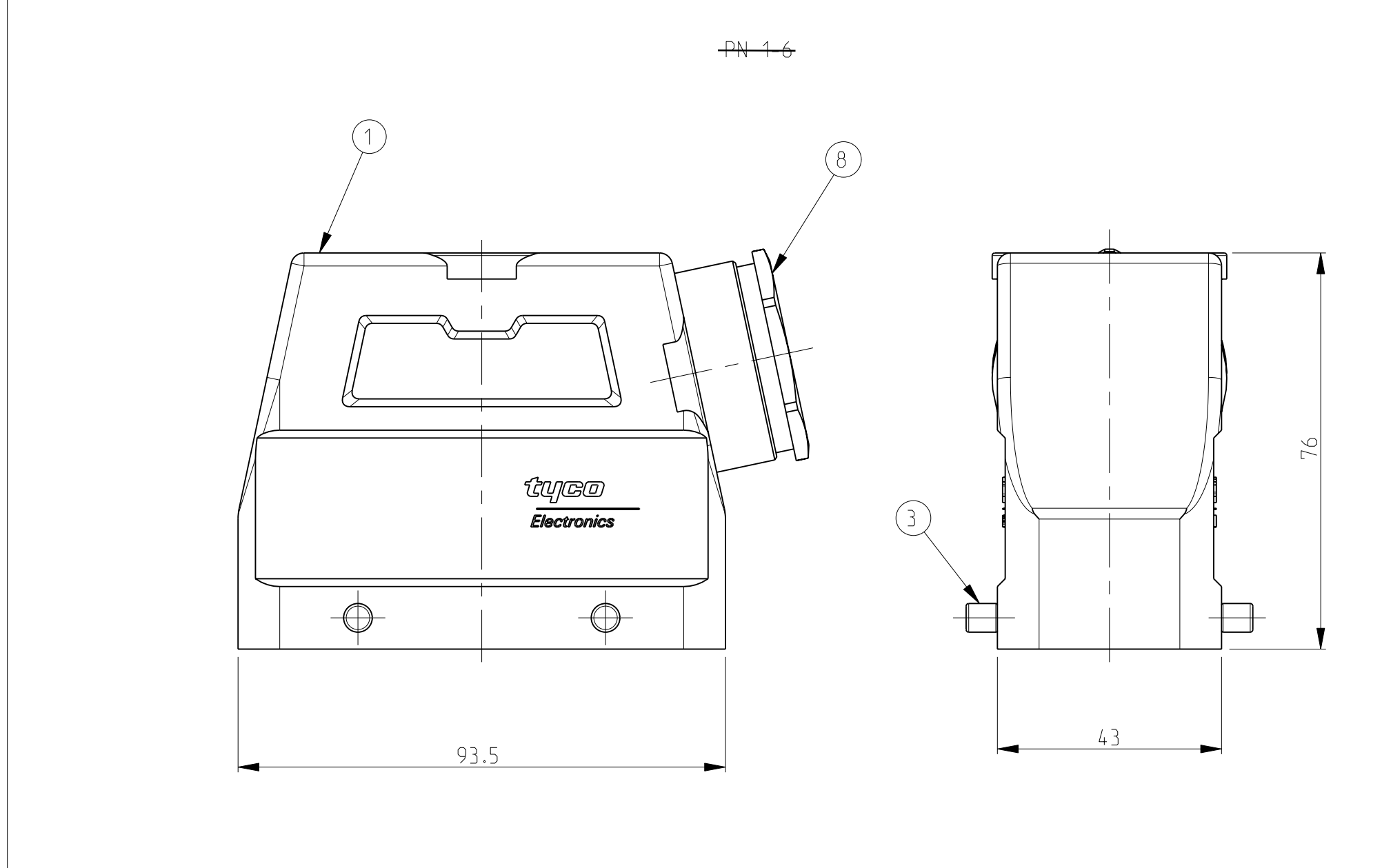
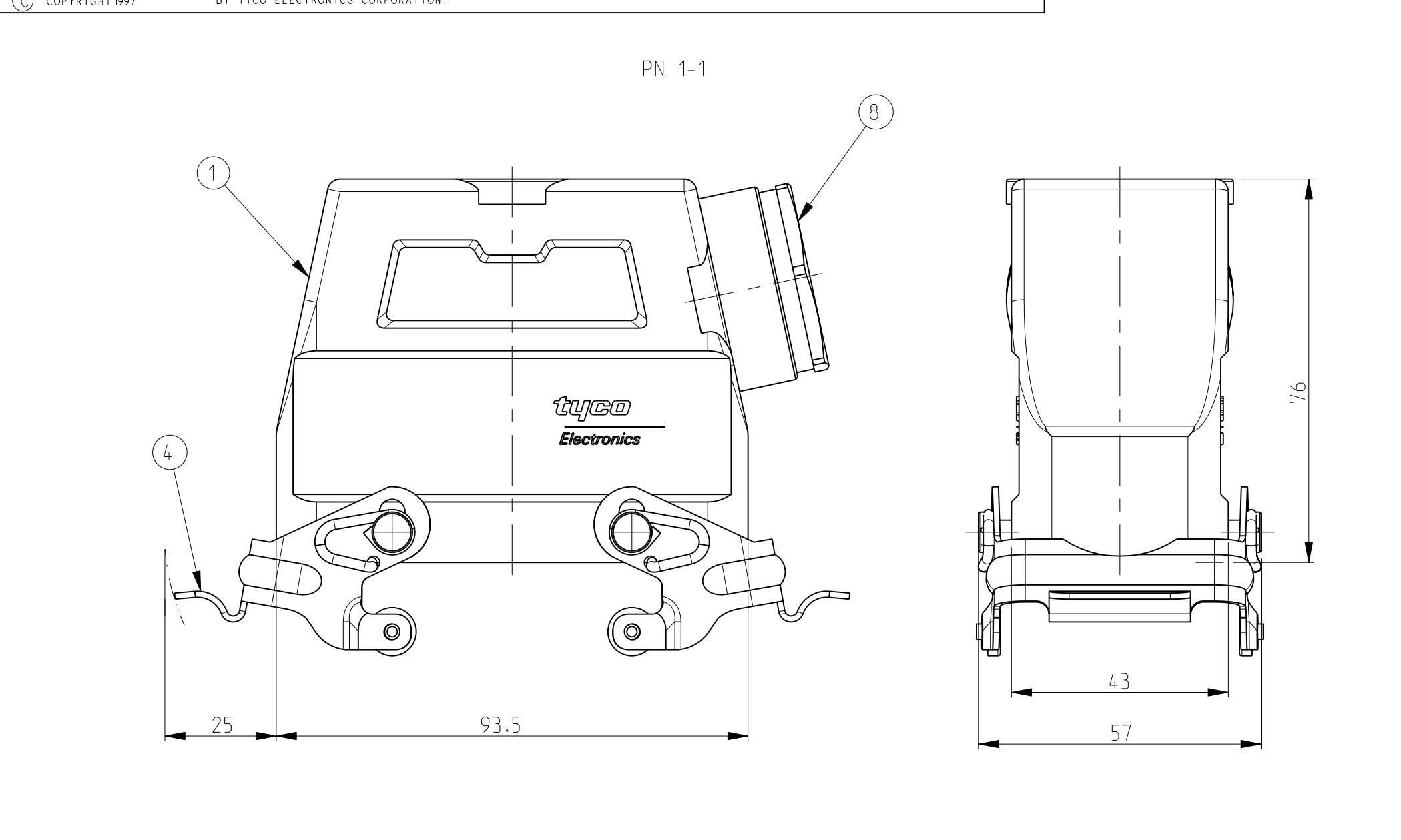
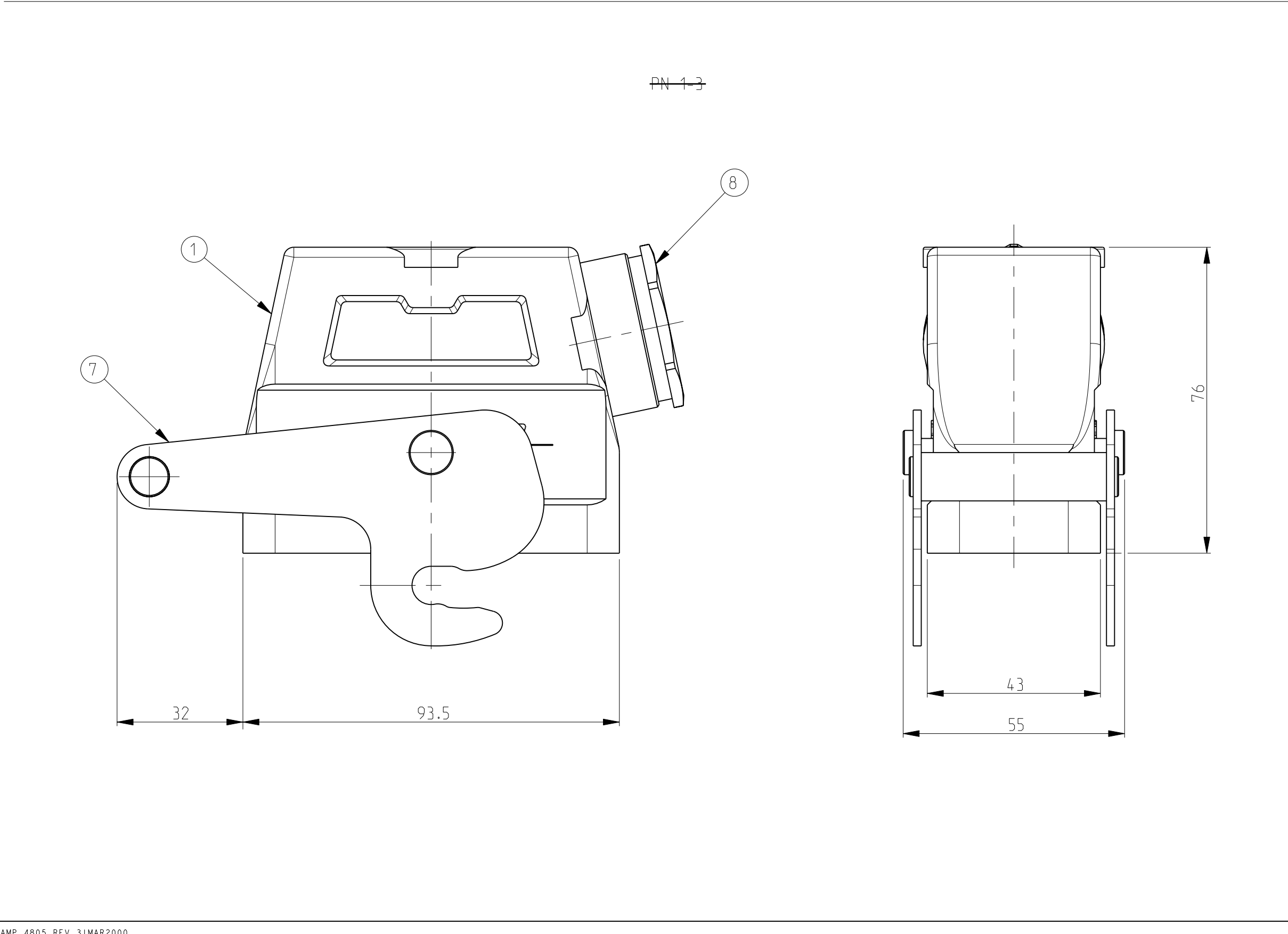
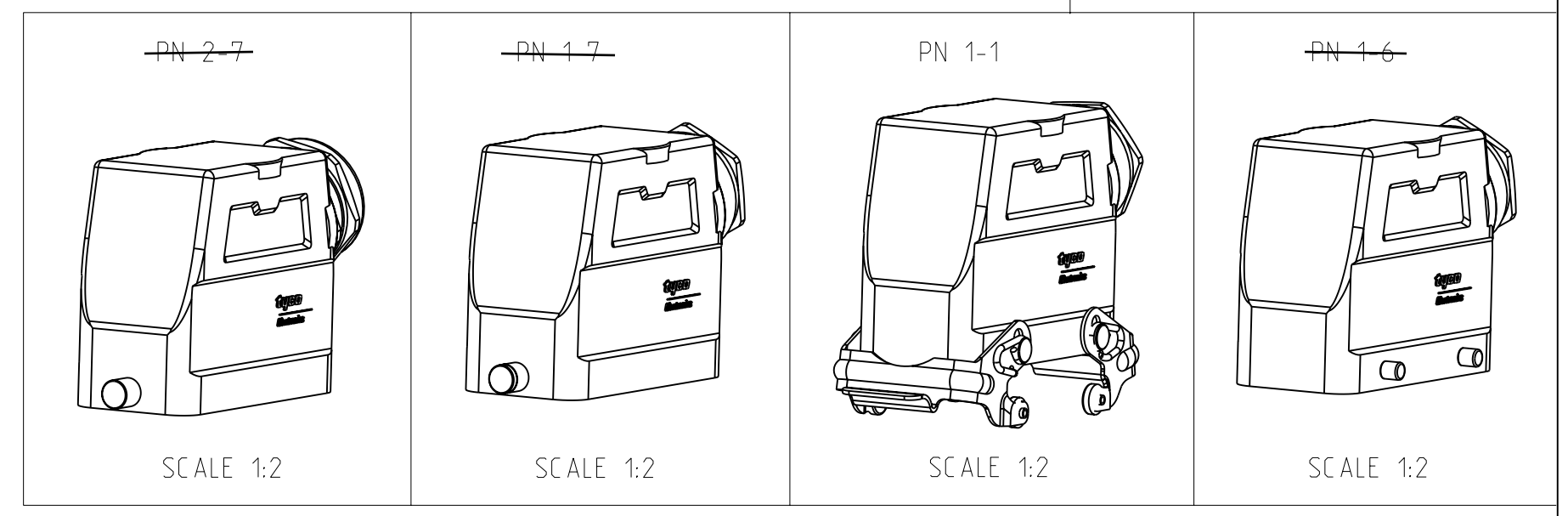
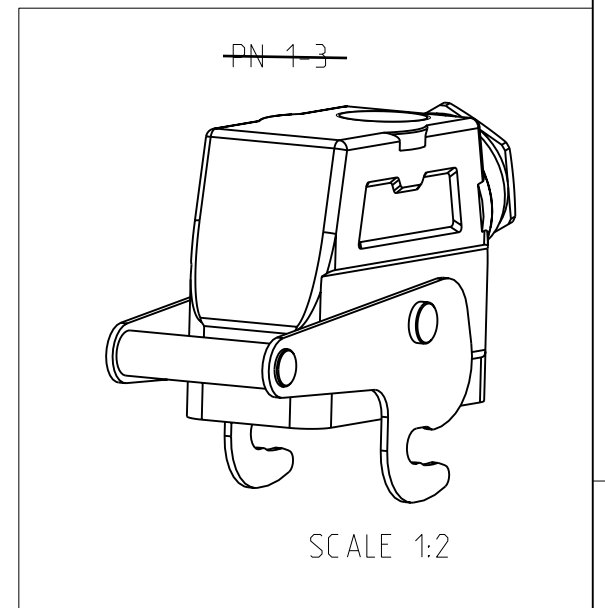


LOC	DIST	REV	DESCRIPTION	DATE	DWN	APVD
A1	-	A2	Released as per ECR-07-012890	11-07-07	SK	TS
		A3	ECR-17-013084	29MAR18	SG	MKO



- NOTES
- Material: Housing: aluminium diecasting alloy
 - Surface:- powder varnish-grey
Varnish black
 - Varnish on the inside not necessarily
 - Packaging quantity: 5 pieces
- 5** OBSOLETE



QTY	DESCRIPTION	MATERIAL	SURFACE	COLOR	ITEM NO	NOTES
1	Gland fitting	Brass	Nickel plated	Blue	9	PG29
1	Gland round	Brass	Nickel plated	Blue	8	PG29
1	Central clip	Steel	Zinc plated	Blue	7	-
2	Clip bolt	V2A/Steel	-	-	6	-
2	Clip bolt	Steel	Zinc plated	Blue	5	-
2	Side clip	Steel	Zinc plated	Blue	4	-
4	Clip bolt	Steel	Zinc plated	Blue	3	-
1	HD-K Hood	Aluminium	Aluminium oxide	Black	2	-
1	HD Hood	Aluminium	-	Grey	1	-

ORDERING TEXT

HD.40.STS-1.29

HD.40.STS-VS-1.29

HD.40.STS-GR-1.29

HD.K40.STS-GR-1.29

HD.Z40.STS-ZD-1.29

DIMENSIONS: mm TOLERANCES UNLESS OTHERWISE SPECIFIED: 0 -0.010mm 1 -0.020mm 2 -0.030mm 3 -0.040mm 4 -0.050mm 5 -0.060mm ANGLES ±0.5°		DWN: Schneider 16.07.03 CHK: Schwegler 16.07.03 NAME: HOOD HD.40.STS.1.29 PRODUCT SPEC: - APPLICATION SPEC: - WEIGHT: - CUSTOMER DRAWING: -	TE Connectivity SCALE: 1:1 SHEET: 1 OF 1 REV: A3
--	--	---	---

单击下面可查看定价，库存，交付和生命周期等信息

[>>TE Connectivity\(泰科\)](#)