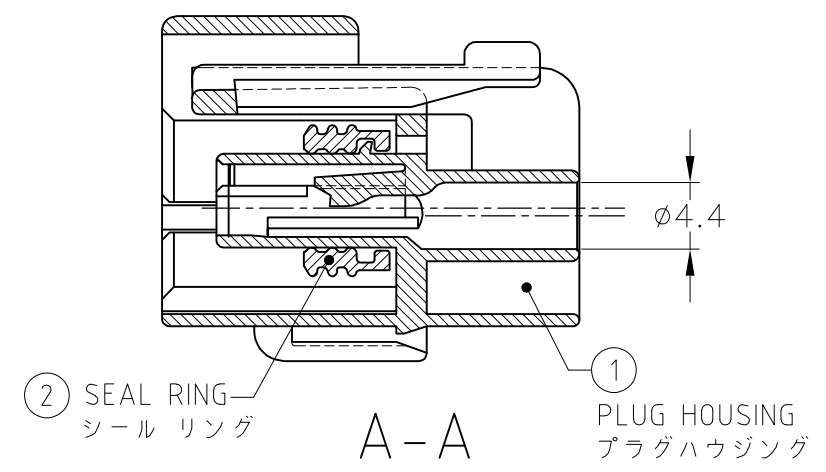
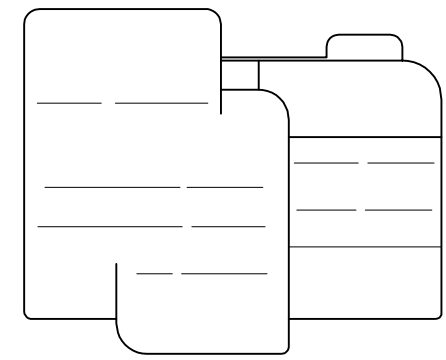
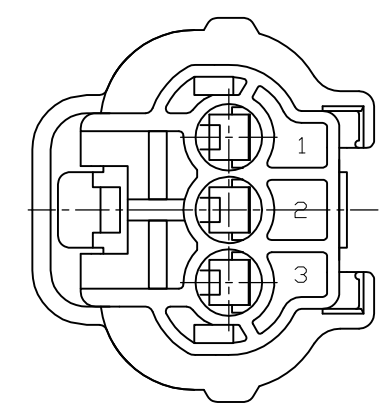
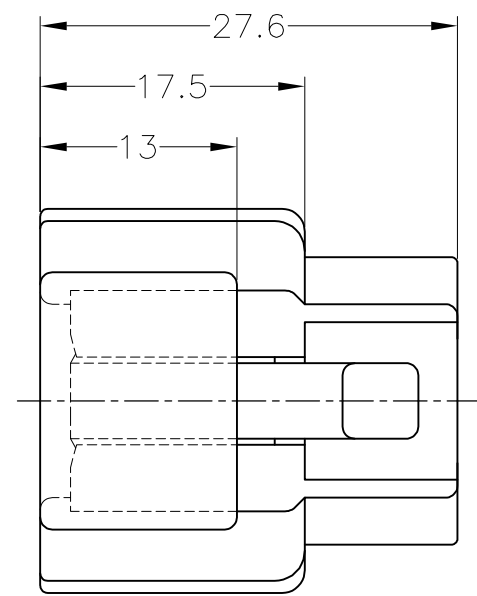
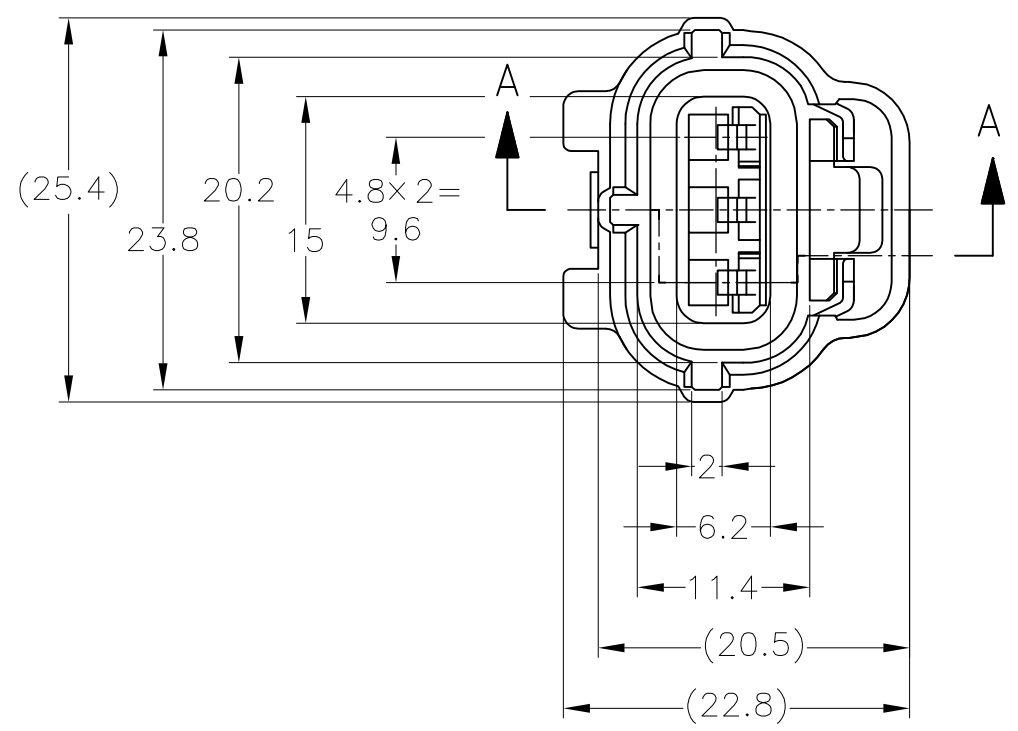


THIS DRAWING IS UNPUBLISHED. RELEASED FOR PUBLICATION JUN,2014 ,10 .
 © COPYRIGHT 2014 By Tyco Electronics Japan G.K. ALL RIGHTS RESERVED.

| LOC | DIST | REVISIONS | | | | | |
|-----|------|-----------|----------|-------------|---------|-----|------|
| J | — | P | LTR | DESCRIPTION | DATE | DWN | APVD |
| | | A | RELEASED | | 06AUG14 | DM | TK |

TOLERANCE UNLESS OTHERWISE SPECIFIED:
 一般公差
 0 < x ≤ 10 : ±0.2
 10 < x ≤ 30 : ±0.25
 30 < x ≤ 100 : ±0.3
 ANGLE : ±3°
 角度



- 1. 嵌合相手型番：174359, 173065
- 2. 本品はプラグハウジング単体にシールリングがアッセンブリされたものである。
- 3. 本品はダブルロックプレート型番 174358を装着して使用する。
- ④ シールリングはフタル酸フリー品である。

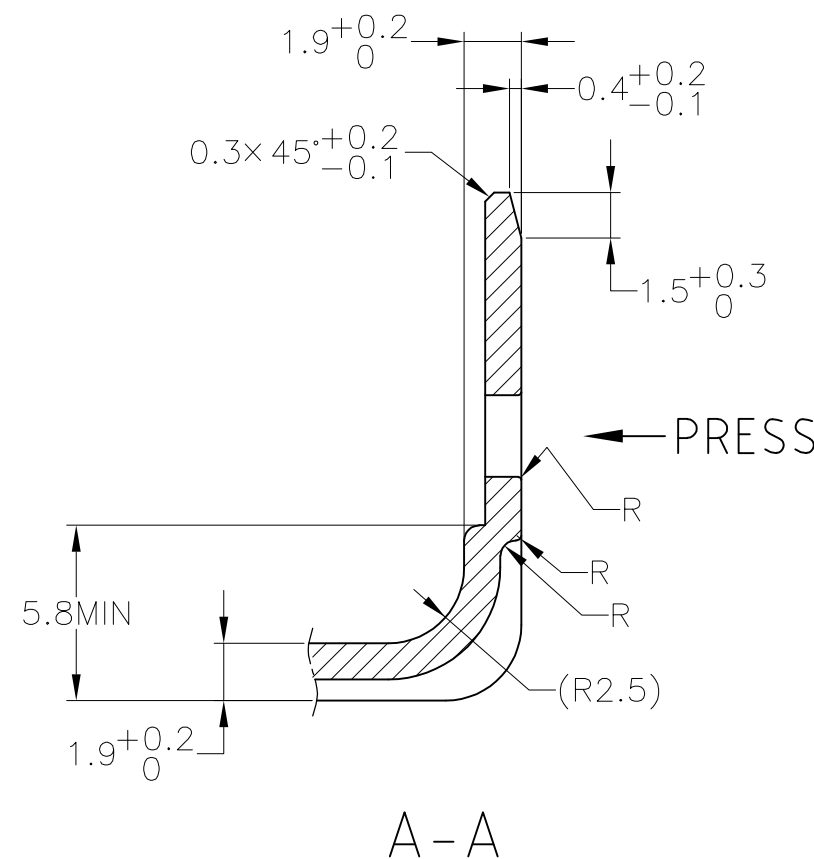
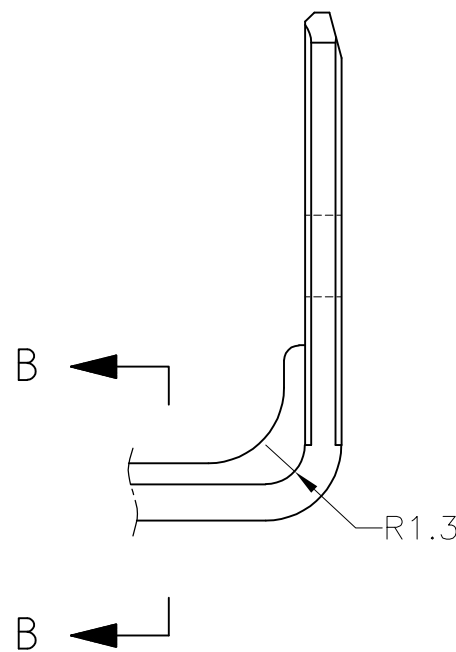
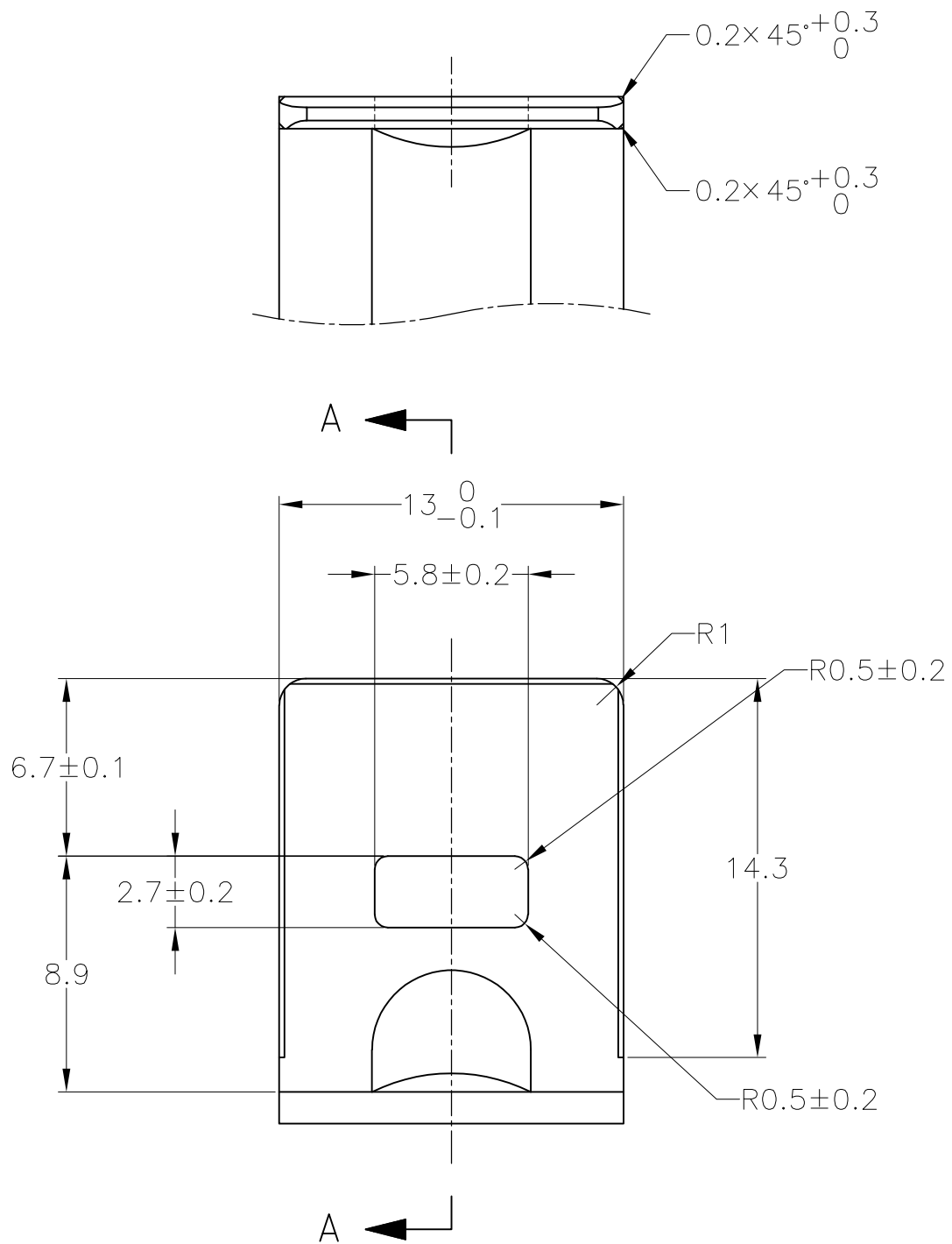
- 1. FOR CAP HOUSING PN 174359, 173065
- 2. THIS PART IS COMPOSED OF PLUG HOUSING AND SEAL RING
- 3. THIS PART MUST BE USED WITH DOUBLE LOCK PLATE PN 174358
- ④ SEAL RING IS NON-BIS TYPE

| | | |
|------------------|----------------|-------------|
| NBR④/BLACK | PBT/GRAY | 2822390-2 |
| NBR④/BLACK | PBT/BLACK | 2822390-1 |
| ② SEAL RING | ① PLUG HOUSING | PART NUMBER |
| MATERIAL / COLOR | | |

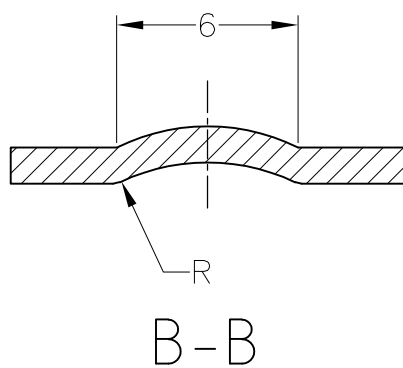
| | | | | | | |
|---|--|--|--|-------|--|------------------------------|
| THIS DRAWING IS A CONTROLLED DOCUMENT. | | DWN D.MATSUURA 06AUG2014 | TE Connectivity 3Pos. ECONOSEAL J-MARKII+ CONNECTOR PLUG HOUSING | | | |
| DIMENSIONS: 単位：mm | | CHK S.IWATANI 06AUG2014 | | | | NAME T.KOHNO 06AUG2014 |
| TOLERANCES UNLESS OTHERWISE SPECIFIED: 一般公差 | | PRODUCT SPEC 製品規格 108-5262 | | | | RESTRICTED TO |
| MATERIAL 材料 SEE TABLE | | APPLICATION SPEC 取付適用規格 114-5082 | | | | WEIGHT 6.15g |
| FINISH 仕上 | | SCALE 2:1 | SHEET 1 OF 2 | REV A | | |

| LOC | DIST | REVISIONS | | | | | |
|-----|------|-----------|-----|-------------|------|-----|------|
| J | - | P | LTR | DESCRIPTION | DATE | DWN | APVD |
| | | - | | SEE SHEET 1 | - | - | - |

ブラケット推奨寸法図
RECOMMENDED DIMENSION OF BRACKET




t = 1.2 ± 0.08



TOLERANCE UNLESS OTHERWISE SPECIFIED: 一般公差

| | |
|--------------|---------|
| 0 < x ≤ 10 | : ±0.2 |
| 10 < x ≤ 30 | : ±0.25 |
| 30 < x ≤ 100 | : ±0.3 |
| ANGLE ; 角度 | : ±3° |

| | | | | | | | | | | | | | | | | |
|--|-----|--------------------------------|---|----------------------------|-----|-------|-----|-------|-----|-------|-----|--------|-----|----------------------|------------|--|
| THIS DRAWING IS A CONTROLLED DOCUMENT. | | DWN D.MATSUURA 06AUG2014 |  TE Connectivity | | | | | | | | | | | | | |
| DIMENSIONS: 単位: 耗 mm | | CHK S.IWATANI 06AUG2014 | | | | | | | | | | | | | | |
| TOLERANCES UNLESS OTHERWISE SPECIFIED: 一般公差 | | APVD T.KOHNO 06AUG2014 | NAME 名称 3Pos. ECONOSEAL J-MARKII+ CONNECTOR PLUG HOUSING | | | | | | | | | | | | | |
| <table border="1"> <tr> <td>0 PLC</td> <td>± -</td> </tr> <tr> <td>1 PLC</td> <td>± -</td> </tr> <tr> <td>2 PLC</td> <td>± -</td> </tr> <tr> <td>3 PLC</td> <td>± -</td> </tr> <tr> <td>4 PLC</td> <td>± -</td> </tr> <tr> <td>ANGLES</td> <td>± -</td> </tr> </table> | | 0 PLC | ± - | 1 PLC | ± - | 2 PLC | ± - | 3 PLC | ± - | 4 PLC | ± - | ANGLES | ± - | PRODUCT SPEC 製品規格 | SIZE A3 | |
| 0 PLC | ± - | | | | | | | | | | | | | | | |
| 1 PLC | ± - | | | | | | | | | | | | | | | |
| 2 PLC | ± - | | | | | | | | | | | | | | | |
| 3 PLC | ± - | | | | | | | | | | | | | | | |
| 4 PLC | ± - | | | | | | | | | | | | | | | |
| ANGLES | ± - | | | | | | | | | | | | | | | |
| MATERIAL 材料 | | APPLICATION SPEC 取付適用規格 | CAGE CODE 00779 | DRAWING NO 番号 C-2822390 | | | | | | | | | | | | |
| FINISH 仕上 | | WEIGHT | RESTRICTED TO - | | | | | | | | | | | | | |
| CUSTOMER DRAWING | | | SCALE 尺度 4:1 | SHEET 2 OF 2 | | | | | | | | | | | | |
| | | | REV A | | | | | | | | | | | | | |

单击下面可查看定价，库存，交付和生命周期等信息

[>>TE Connectivity\(泰科\)](#)