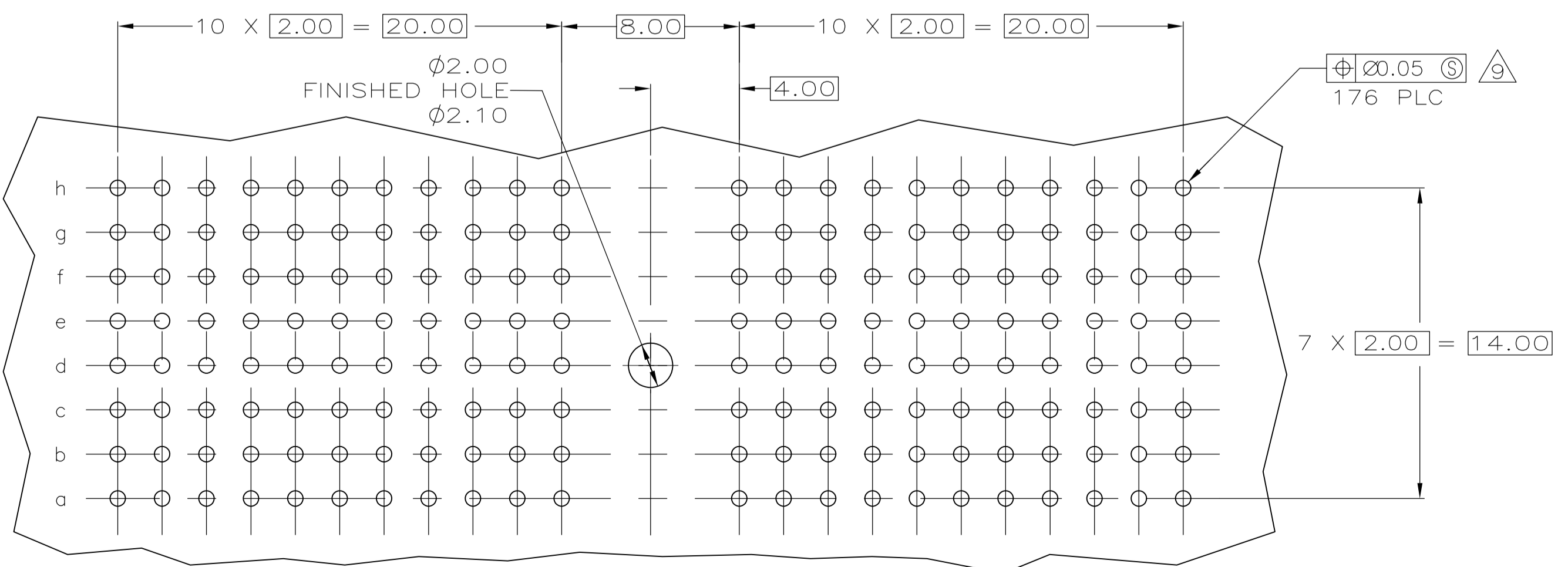
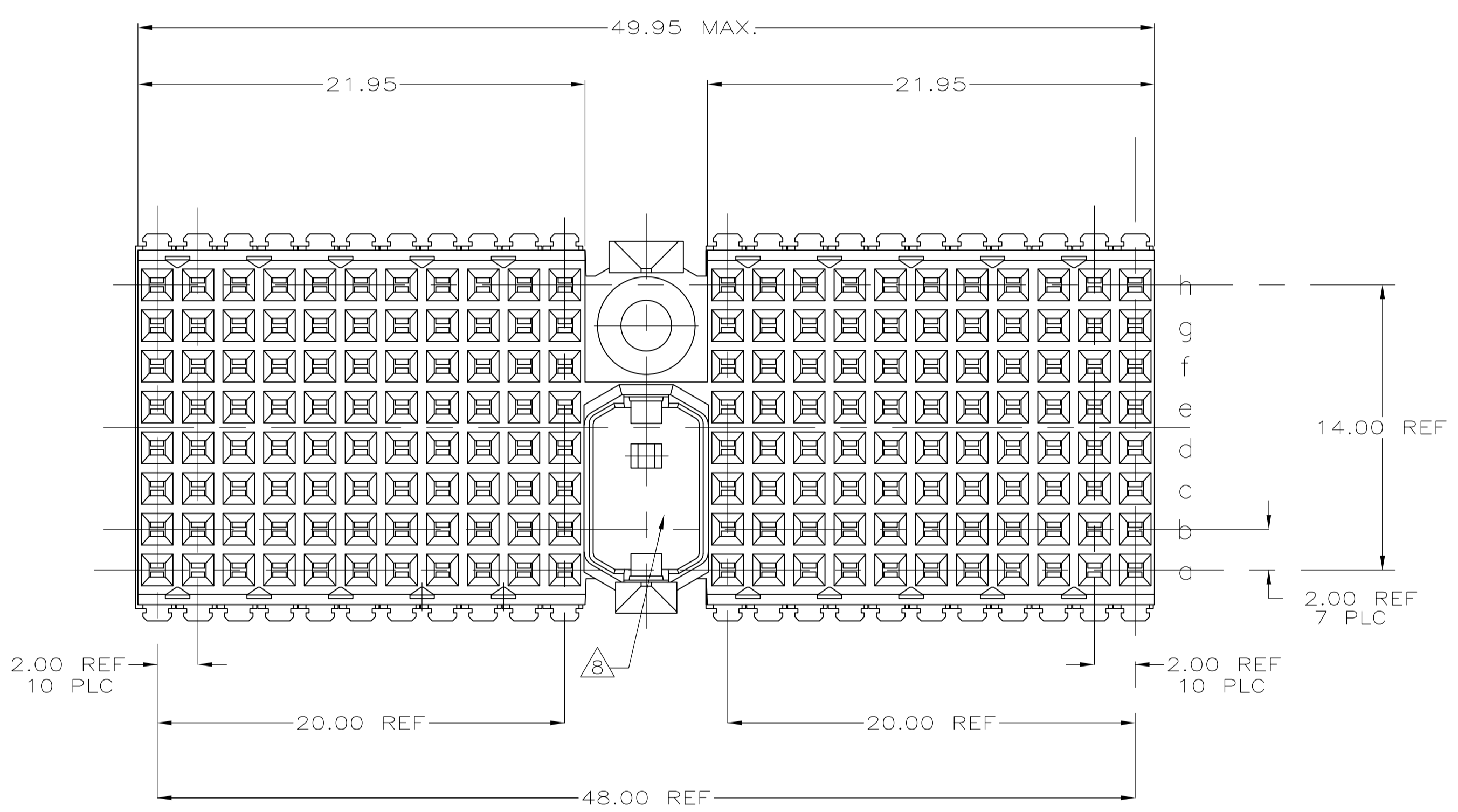
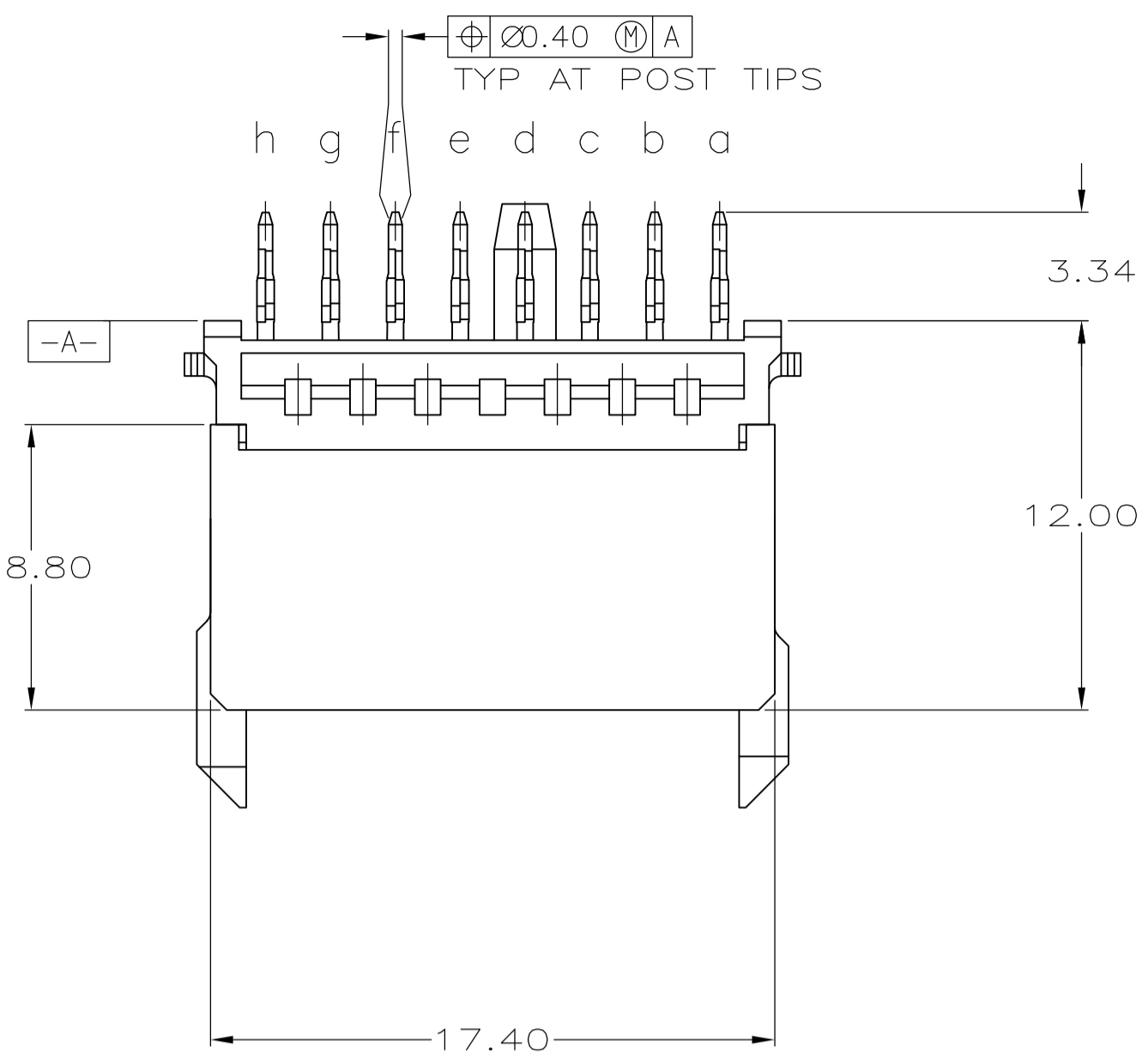
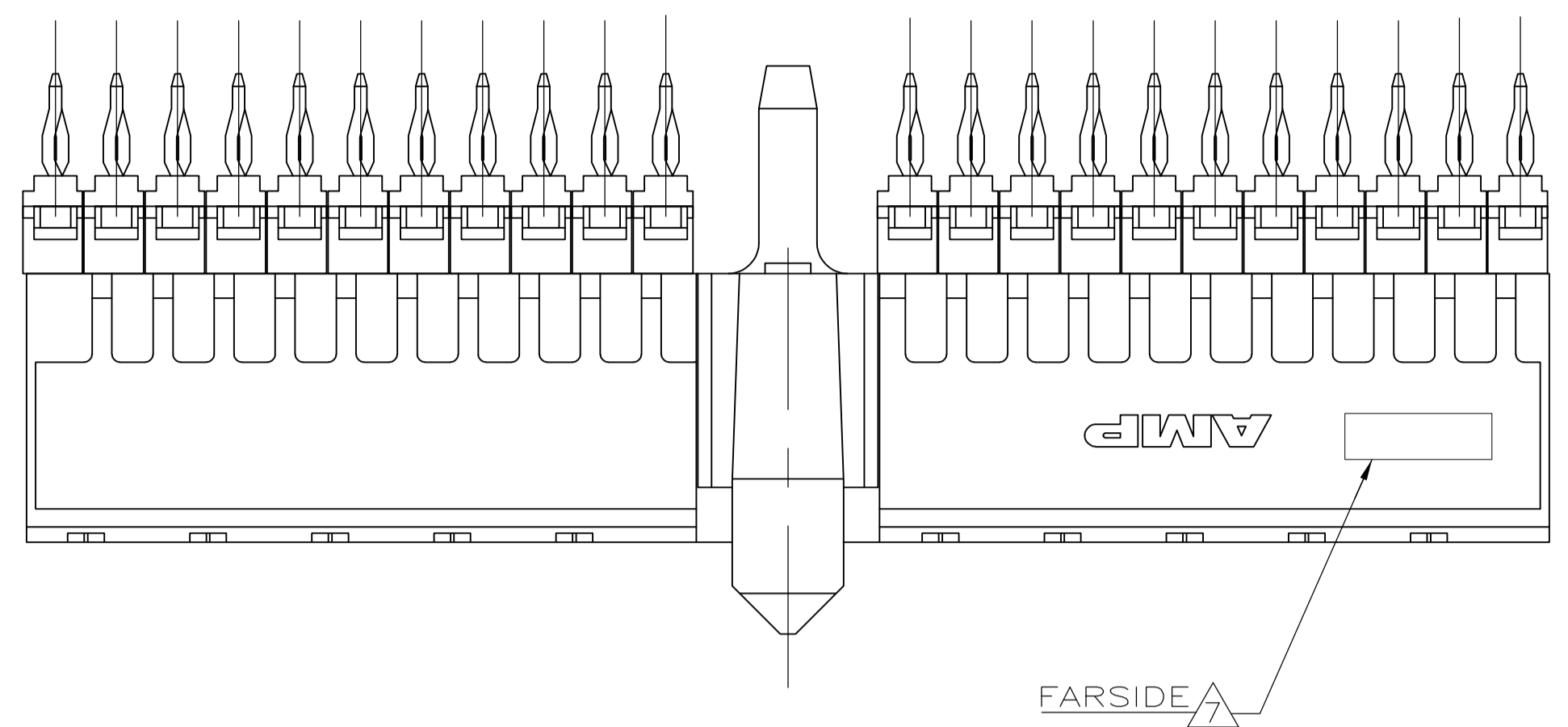


LOC		DIST		REVISIONS			
AD	00	REV	DATE	BY	CHK	APPV	
C1		REV PER ECO-10-000443	16JAN10	KK		AEG	
D		ECR-10-019054	15SEP10	DP		MQW	
E		ECO-11-024491	13DEC11	SY		MQW	
F		ECR-12-010544	06NOV12	SY		AC	



RECOMMENDED PCB HOLE LAYOUT
COMPONENT SIDE SHOWN

- 1 MATERIAL:
CONTACT: PHOSPHOR BRONZE.
HOUSING: GLASS-FILLED POLYESTER.
- 2 GENERAL PLATING SPECIFICATION: UNDERPLATING
(ENTIRE CONTACT): 1.27μm MIN NICKEL AND ACTION
PIN: 0.5μm MIN TIN LEAD.
FOR PLATING OF MATING SURFACES SEE APPLICABLE
SPECIFICATION REFERENCE FOR EACH DASH NUMBER.
- 3 CONFORMS TO ALL TESTING ACCORDING TO IEC 61076-4-101
PERFORMANCE LEVEL 2.
- 4 CONFORMS TO ALL TESTING ACCORDING TO IEC 61076-4-101
PERFORMANCE LEVEL 1.
- 5 CONNECTOR TESTED AND QUALIFIED AGAINST TELCORDIA GR-1217-CORE QUALITY LEVEL 3,
CENTRAL OFFICE APPLICATIONS.
- 6 CONNECTOR TESTED AND QUALIFIED AGAINST TELCORDIA GR-1217-CORE QUALITY LEVEL 3,
UNCONTROLLED ENVIROMENT APPLICATIONS.
- 7 CONNECTOR MARKED WITH PART NUMBER AND DATE CODE.
ADDITIONAL CHARACTERS OR MARKINGS, AS WELL AS THE LOCATION OF THE MARKINGS,
MAY BE ADDED FOR TRACEABILITY BASED UPON MANUFACTURERS DISCRETION.
- 8 AREA RESERVED FOR KEYING PART (BASIC P.N. 100526).
- 9 PLATED-THROUGH HOLES AT 2x2mm SQUARE GRID
176 HOLES.
- 10 CONNECTOR LUBRICATED WITH BELCORE APPROVED LUBRICANT,
TECHNICAL REFERENCE: TR-NWT-001217 ISSUE 1, SEP 1992.
- 11 OBSOLETE PARTS: OBSOLETE CIS STREAMLINING PER D.RENAUD/D.SINISI

PLATED THRU HOLES PARAMETERS
REFERENCE APPLICATION SPECIFICATION

11	OBSOLETE	2	5	10	1=646538-9
	OBSOLETE	2	5	10	-646538-9-
11	OBSOLETE	2	4		-646538-4-
		2	3		646538-1
FINISH					PART NUMBER

THIS DRAWING IS A CONTROLLED DOCUMENT.

DIMENSIONS:	TOLERANCES UNLESS OTHERWISE SPECIFIED:	DIN B. CARBO	06DEC05	Tyco Electronics Corporation Harrisburg, PA 17105-3608
mm	0-PLC ± 1-PLC ± 2-PLC ±0.13 3-PLC ± 4-PLC ± ANGLES ±	CHK G. SKIPPER	06DEC05	
MATERIAL	FINISH SEE TABLE	APVD G. SKIPPER	06DEC05	NAME
		PRODUCT SPEC		RECEPTACLE ASSEMBLY, VERTICAL, 176 POSN., TYPE D, 8 ROW, Z-PACK 2mm HM
		APPLICATION SPEC		SIZE
		114-19029		CAGE CODE
		WEIGHT		DRAWING NO
				A1 00779
		CUSTOMER DRAWING		SCALE
				5:1
				SHEET
				1 of 1
				REV
				F

单击下面可查看定价，库存，交付和生命周期等信息

[>>TE Connectivity\(泰科\)](#)