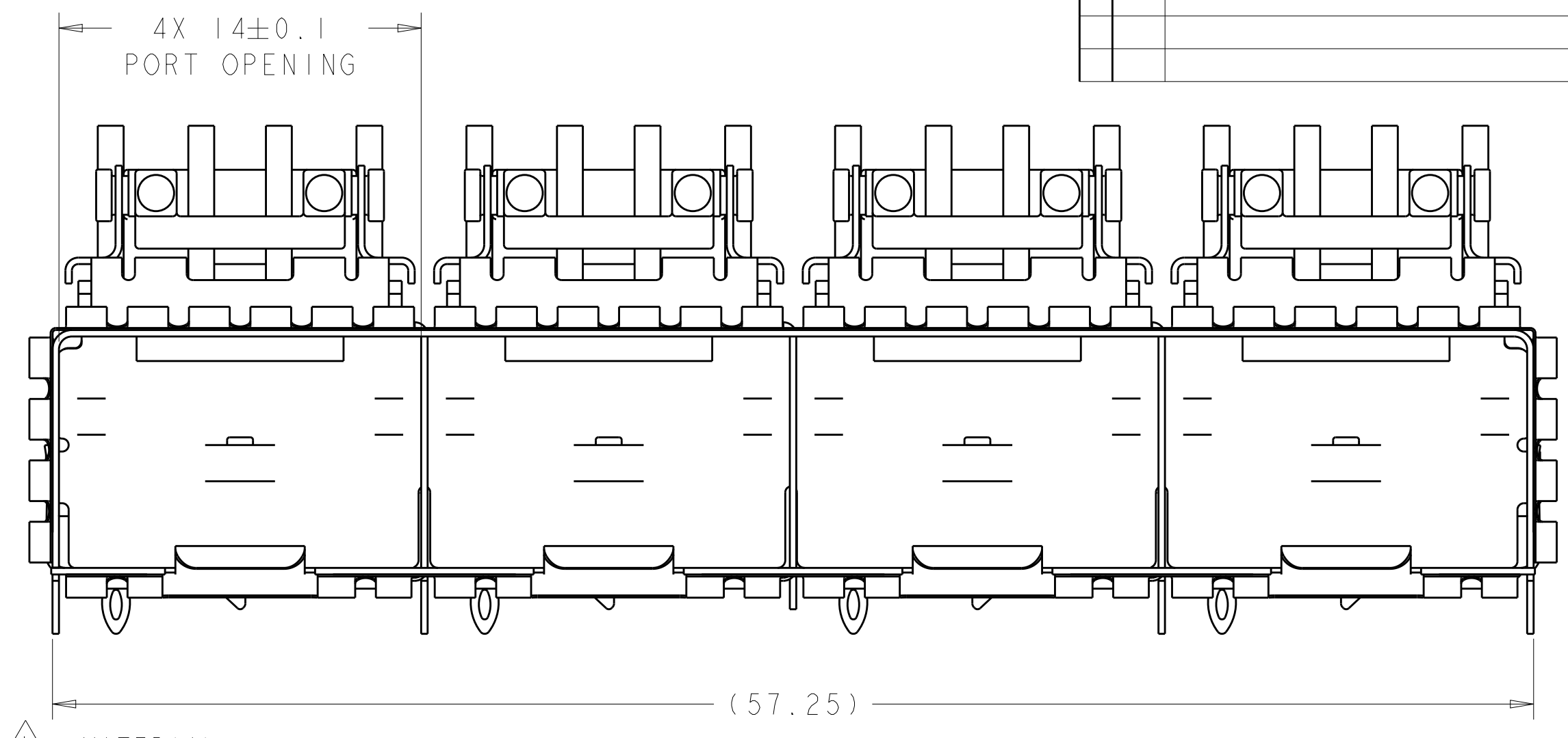
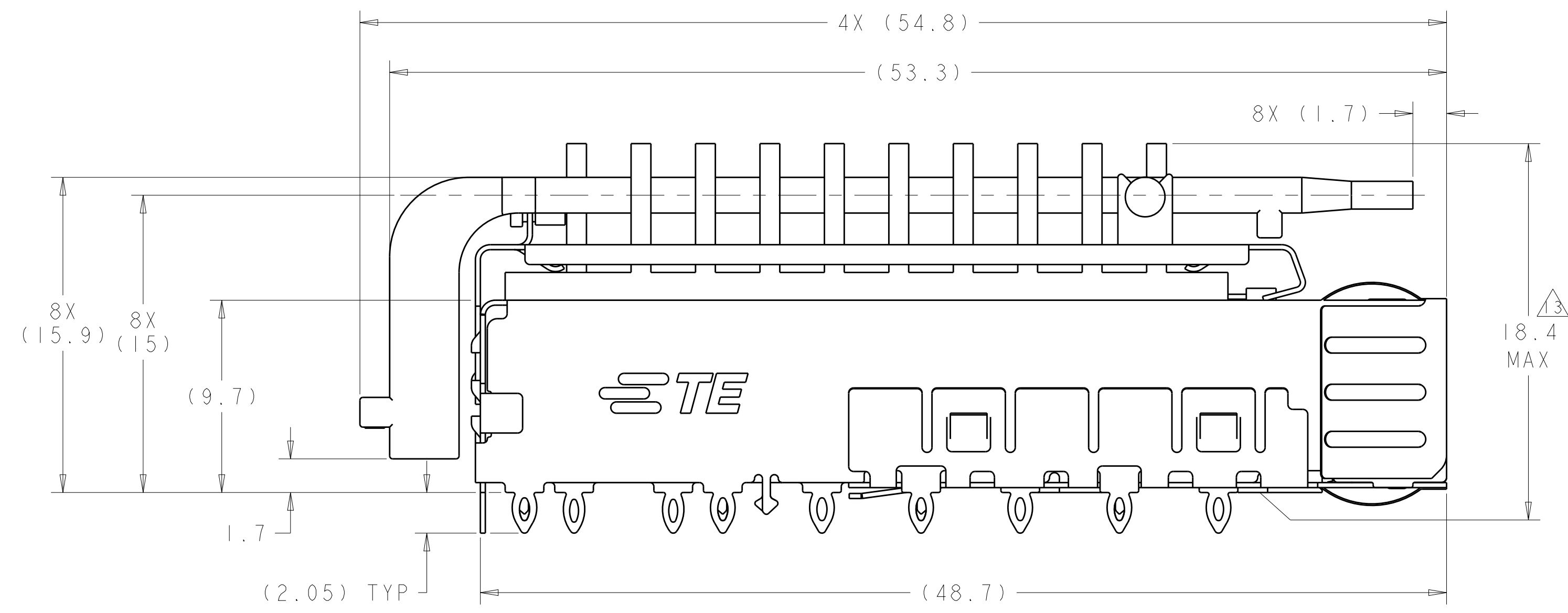
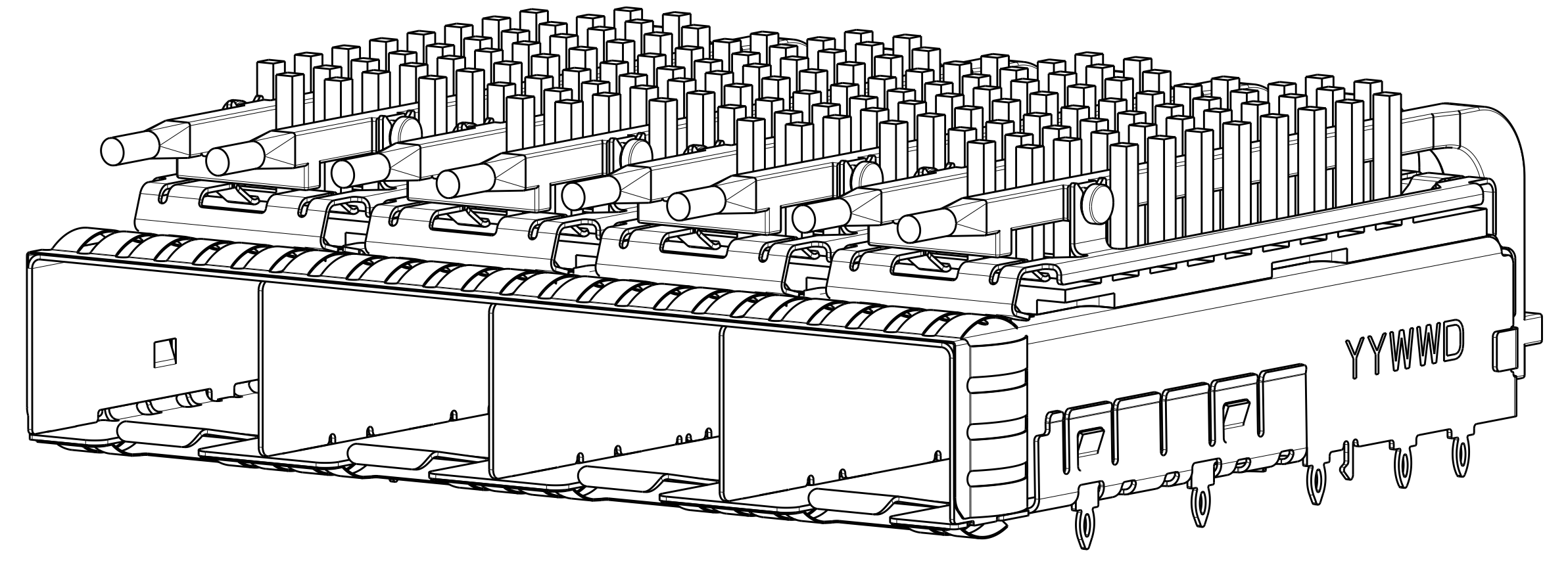
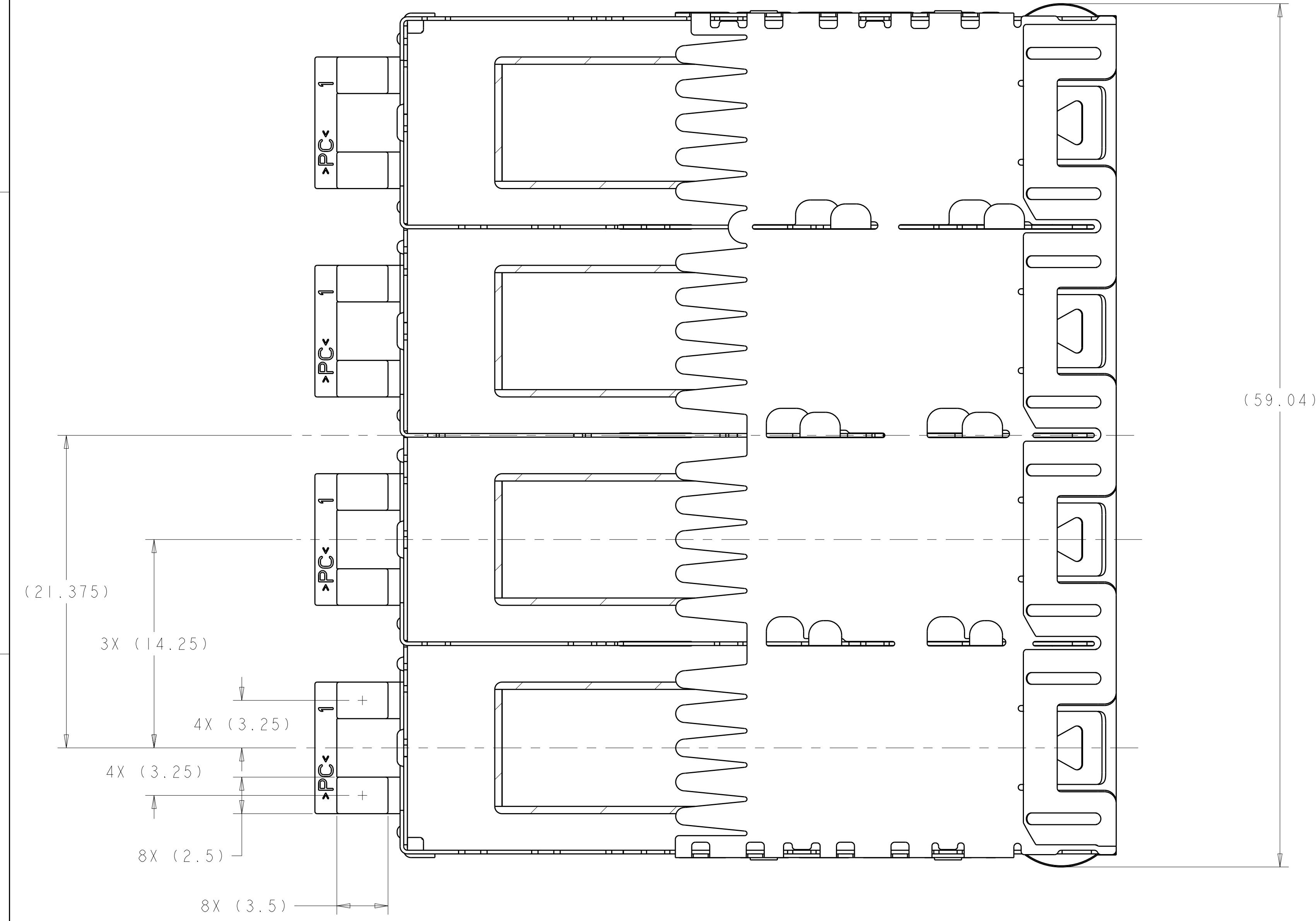


LOC		DIST		REVISIONS			
GP	00	P	LTN	DESCRIPTION	DATE	DWN	APVD
		A		RELEASED PER ECO-12-013192	11OCT2012	BMM	MRS



- △ MATERIAL:
 CAGE ASSEMBLY: 0.25mm THICK NICKEL SILVER ALLOY
 HEATSINK/LIGHTPIPE CLIP: STAINLESS STEEL
 LIGHT PIPE: POLYCARBONATE, CLEAR
 HEATSINK: ALUMINUM
- △ FINISH:
 SPRINGS: MINIMUM OF 0.8µm TIN PLATE OVER A MINIMUM OF 0.8µm NICKEL UNDERPLATE.
 NON-PLATED EDGES PERMISSIBLE.
 HEATSINK: ELECTROLESS NICKEL
 HEATSINK/LIGHTPIPE CLIP: PASSIVATE
- △ PADS AND VIAS CHASSIS GROUND.
- △ DATUM AND BASIC DIMENSION ESTABLISHED BY CUSTOMER.
- 5. MATES WITH SFP MSA COMPLIANT TRANSCEIVERS.
- 6. INTERPRETATION OF DATUM REFERENCE FRAME IN ACCORDANCE WITH SECT 4.4.1.1 OF ASME Y14.5M-1994.
- △ REFERENCE APPLICATION SPEC. 114-13120, HOLE A, FOR RECOMMENDED DRILL HOLE DIAMETER AND PLATING THICKNESS.
- △ REFERENCE APPLICATION SPEC. 114-13120, HOLE B, FOR RECOMMENDED DRILL HOLE DIAMETER AND PLATING THICKNESS.
- △ HOLE PATTERN REPEATS FOR EACH PORT. SPACING BETWEEN PORTS IS 14.25mm.
- △ MINIMUM PC BOARD THICKNESS:
 SINGLE SIDED = 1.50mm
 DOUBLE SIDED = 2.25mm
- 11. CERTAIN MATING TRANSCEIVERS MAY REQUIRE ADDITIONAL PCB THICKNESS THAT WOULD BE DETERMINED BY THE CUSTOMER.
- 12. PRODUCT COMPLIES WITH SPECIFICATION SFF-8433 IMPROVED PLUGGABLE FORM FACTOR FOR SFP+ GANGED CAGES.
- △ 13. DIMENSION APPLIES PRIOR TO INSERTION OF SFP MODULE.
- △ PACKAGED AS A COMPLETE ASSEMBLY.



2149539-1
 FINISHED ASSEMBLY
 SCALE 4:1

NETWORKING, SHORT DESCRIPTION	2149539-1 PART NUMBER
-------------------------------	-----------------------

STE TE Connectivity

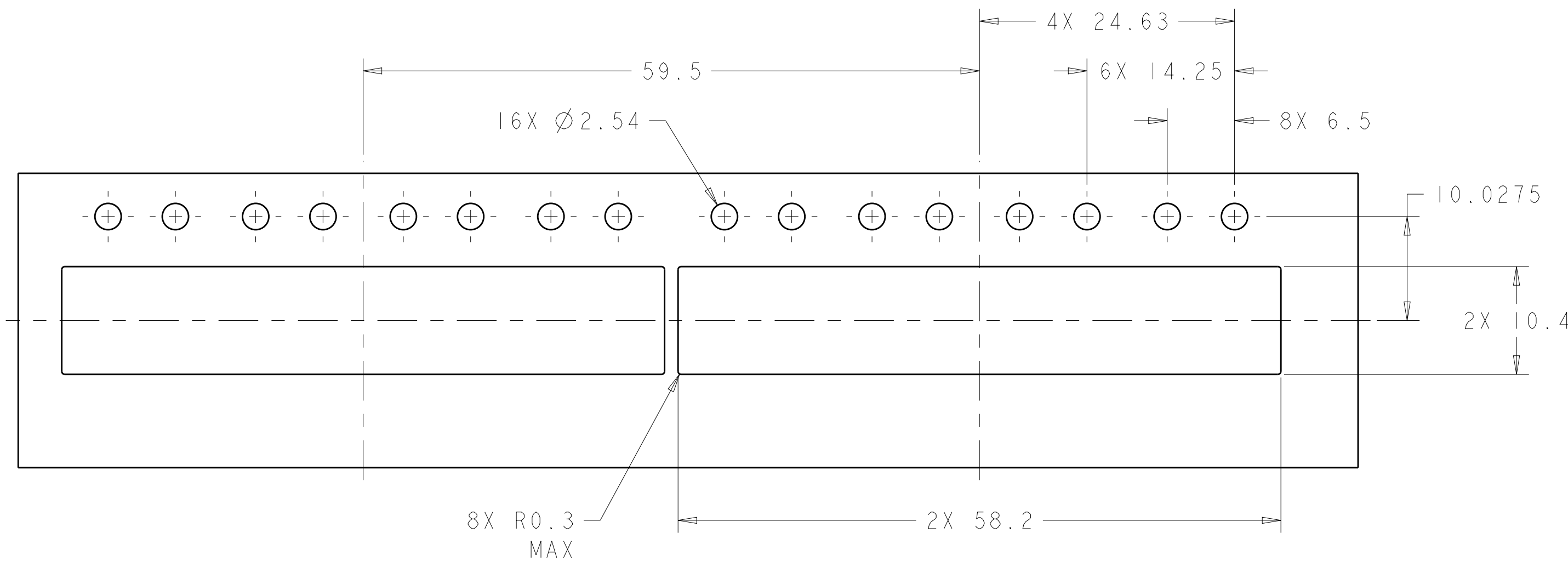
SFP+ ENHANCED 1X4 CAGE ASSEMBLY
 PRESS FIT, EXTERNAL EMI SPRINGS
 WITH HEATSINK AND LIGHT PIPES

THIS DRAWING IS A CONTROLLED DOCUMENT.	DWN: M. SCHMITT 11AUG2010	SIZE: A1	CAGE CODE: 00779	DRAWING NO: 2149539	RESTRICTED TO: -
DIMENSIONS: mm	TOLERANCES UNLESS OTHERWISE SPECIFIED:	0 PLC ±0.1	1 PLC ±0.1	2 PLC ±0.1	3 PLC ±0.1
		4 PLC ±0.1	ANGLES ±0.1	FINISH: #1*	
MATERIAL: △	FINISH: △	WEIGHT: -	SCALE: 5:1	SHEET: 1 OF 4	REV: A

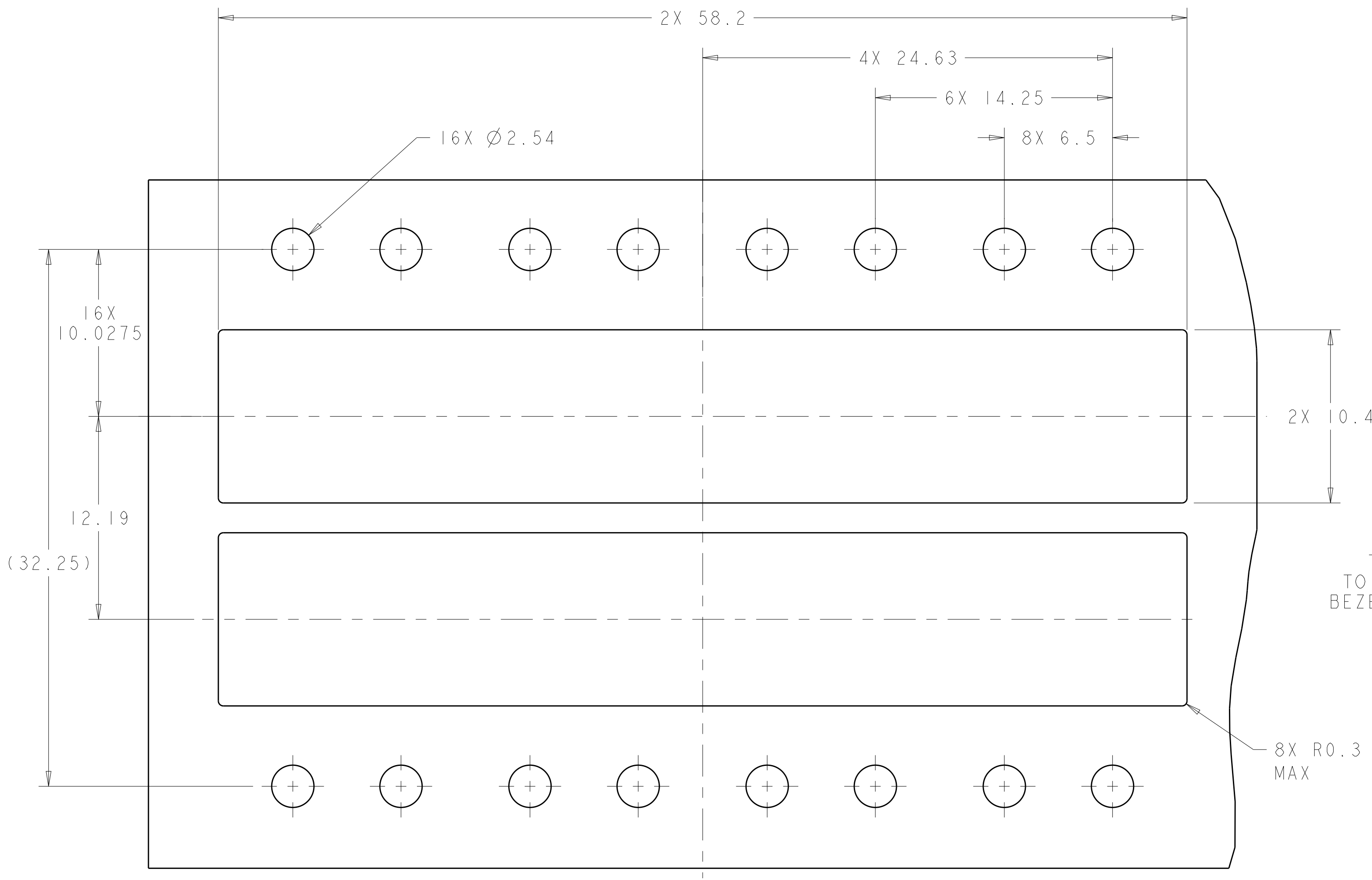
Customer Drawing

LOC	DIST	REV	DATE	BY	APPV
GP	00				

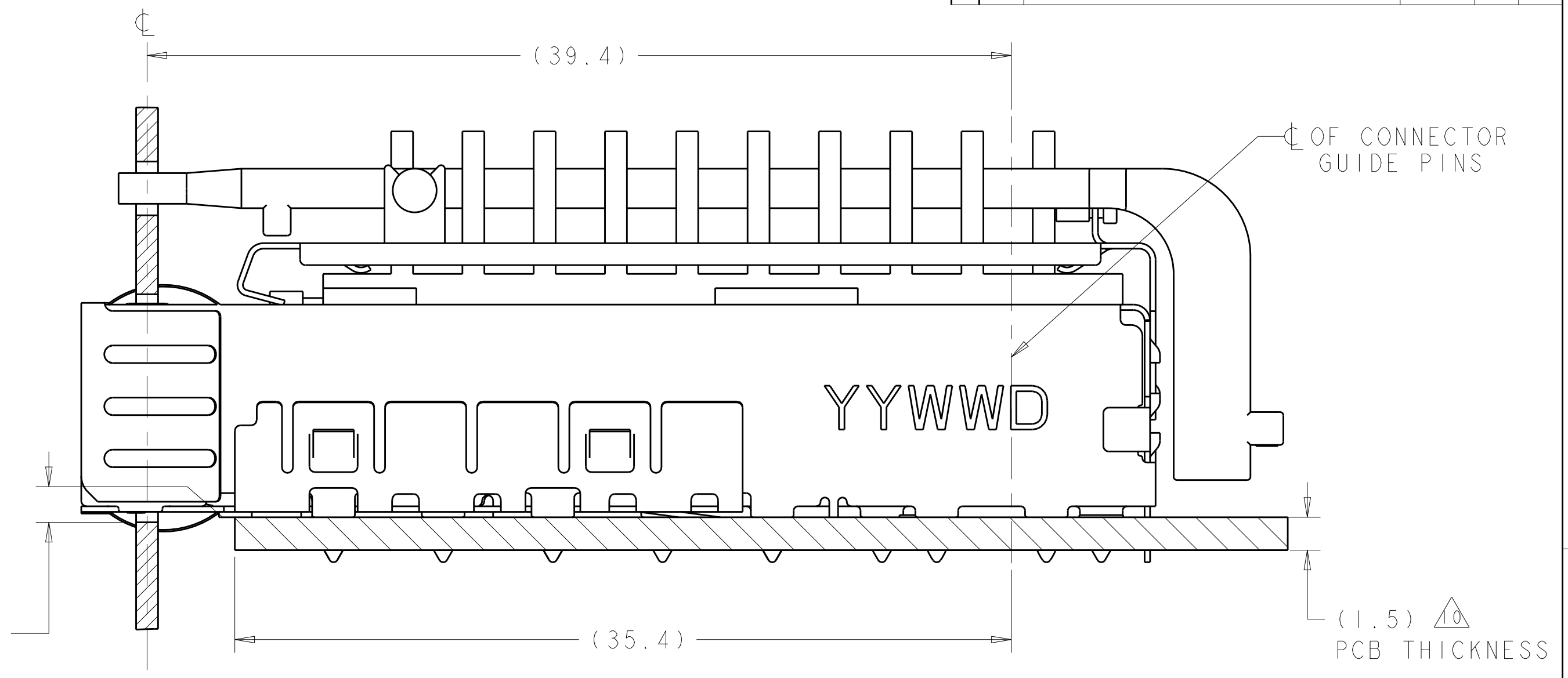
REVISIONS		DATE	BY	APPV
1	SEE SHEET 1			



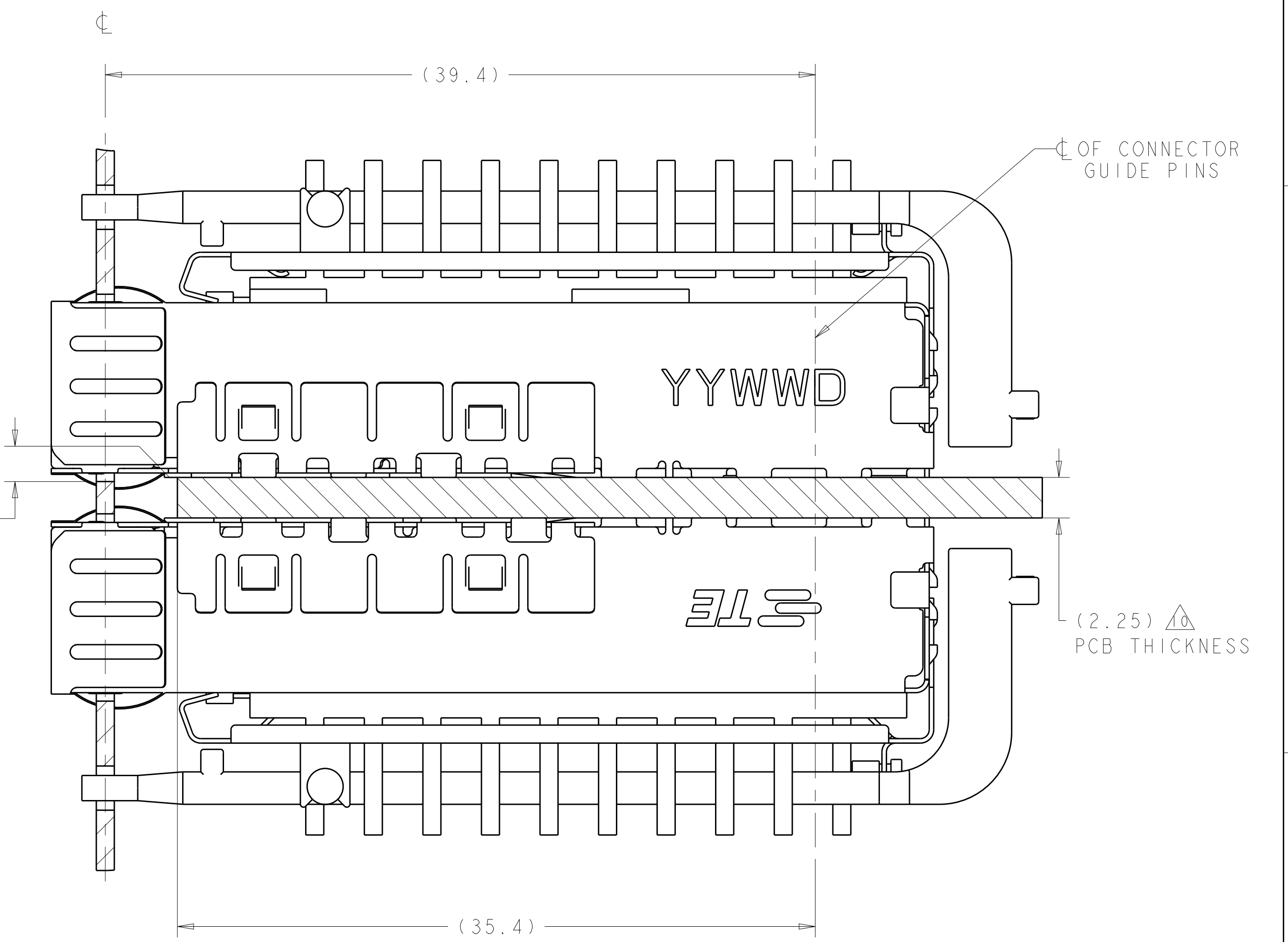
RECOMMENDED BEZEL CUT-OUT
 SINGLE SIDED APPLICATIONS
 SCALE 5:2



RECOMMENDED BEZEL CUT-OUT
 BELLY TO BELLY APPLICATIONS



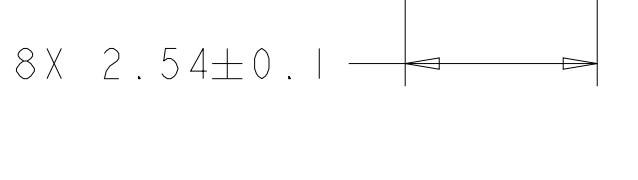
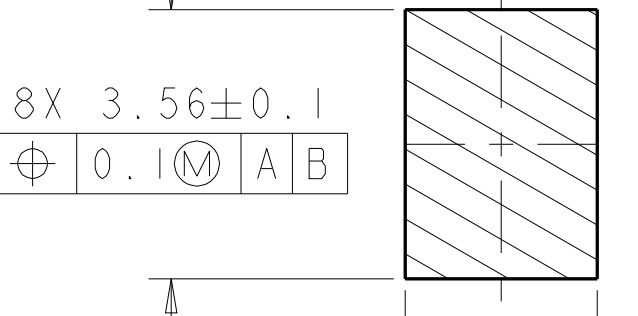
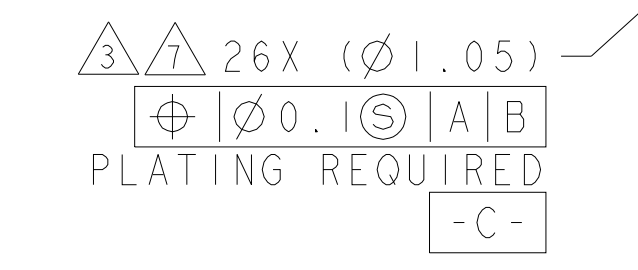
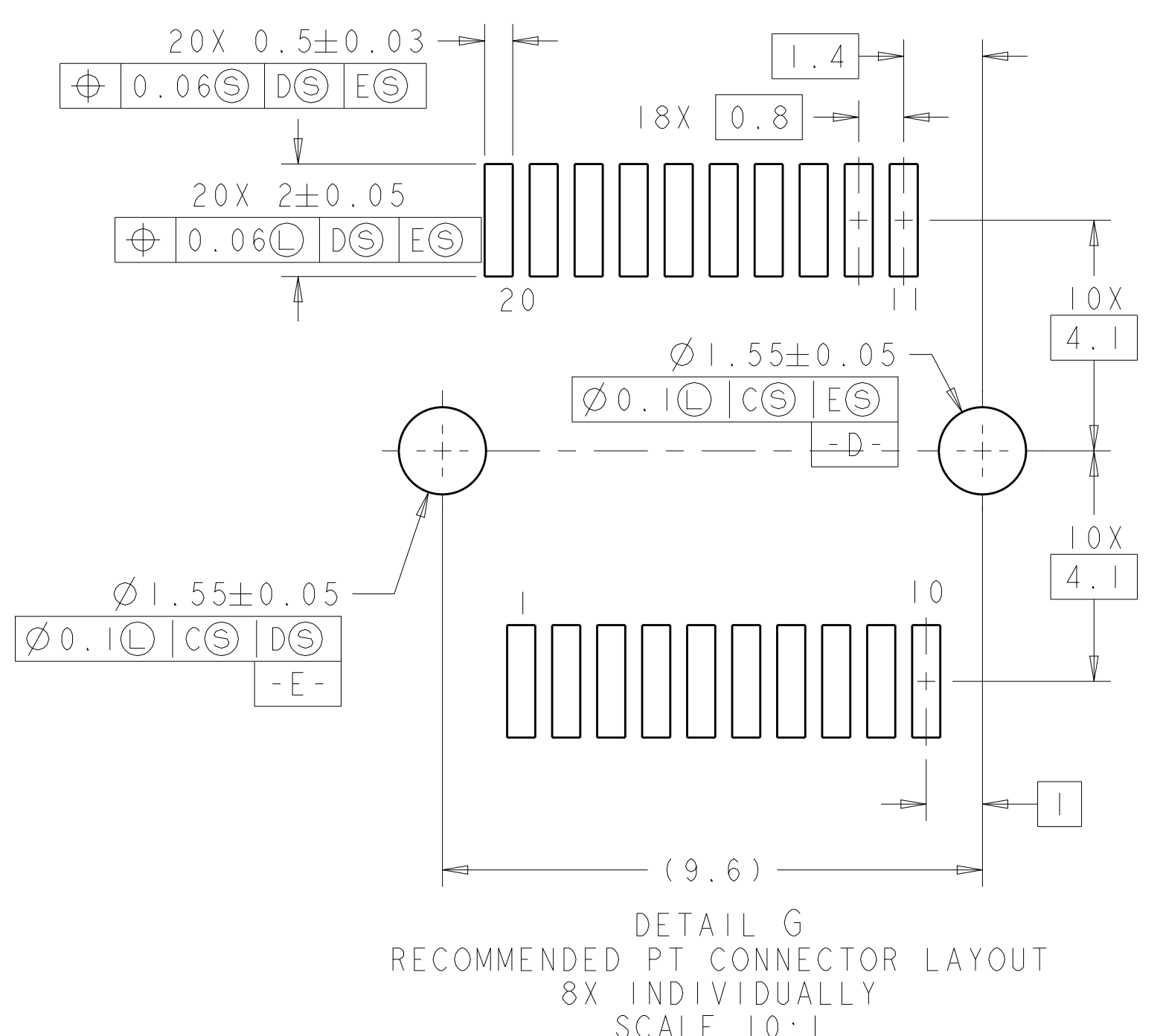
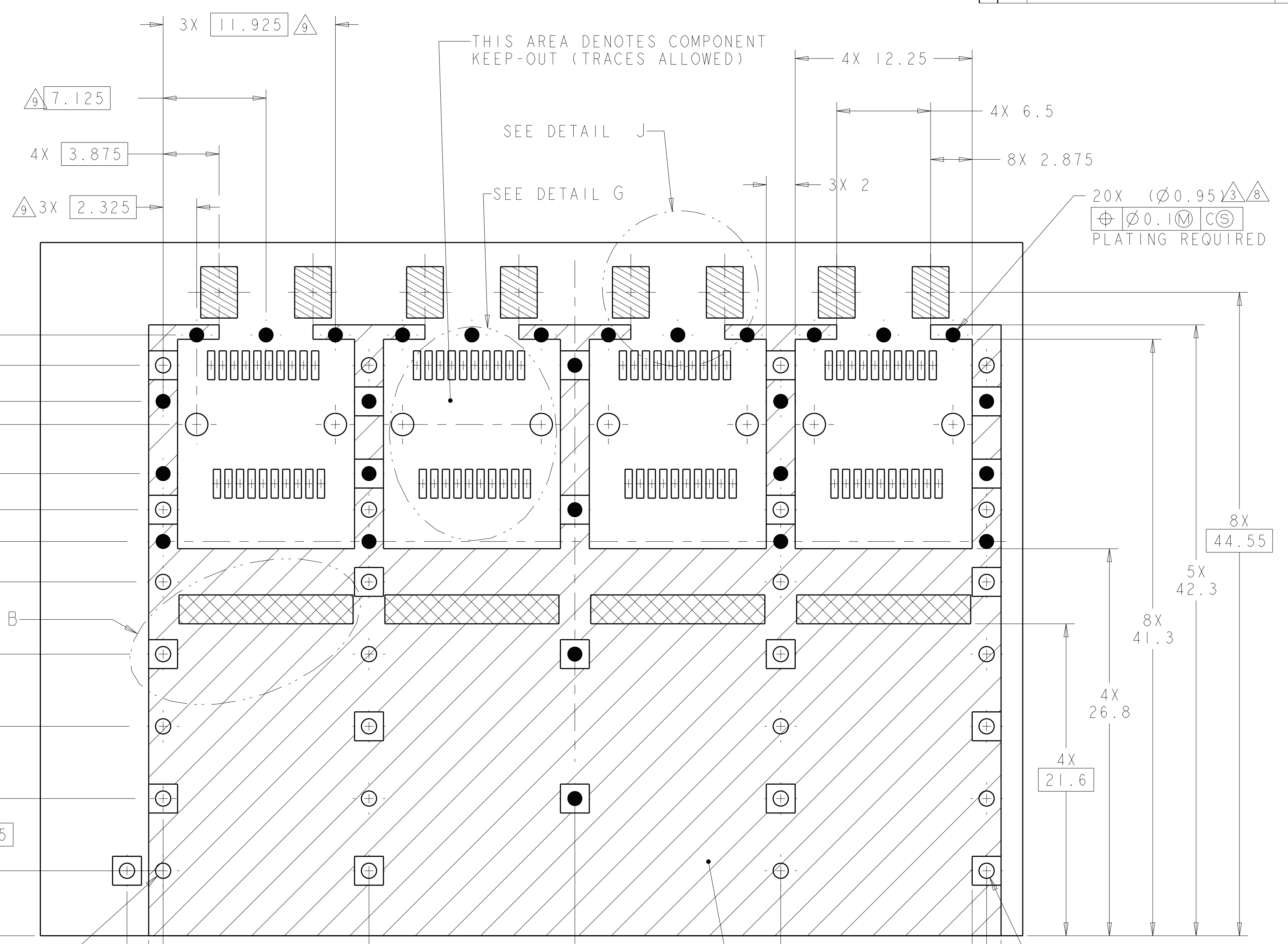
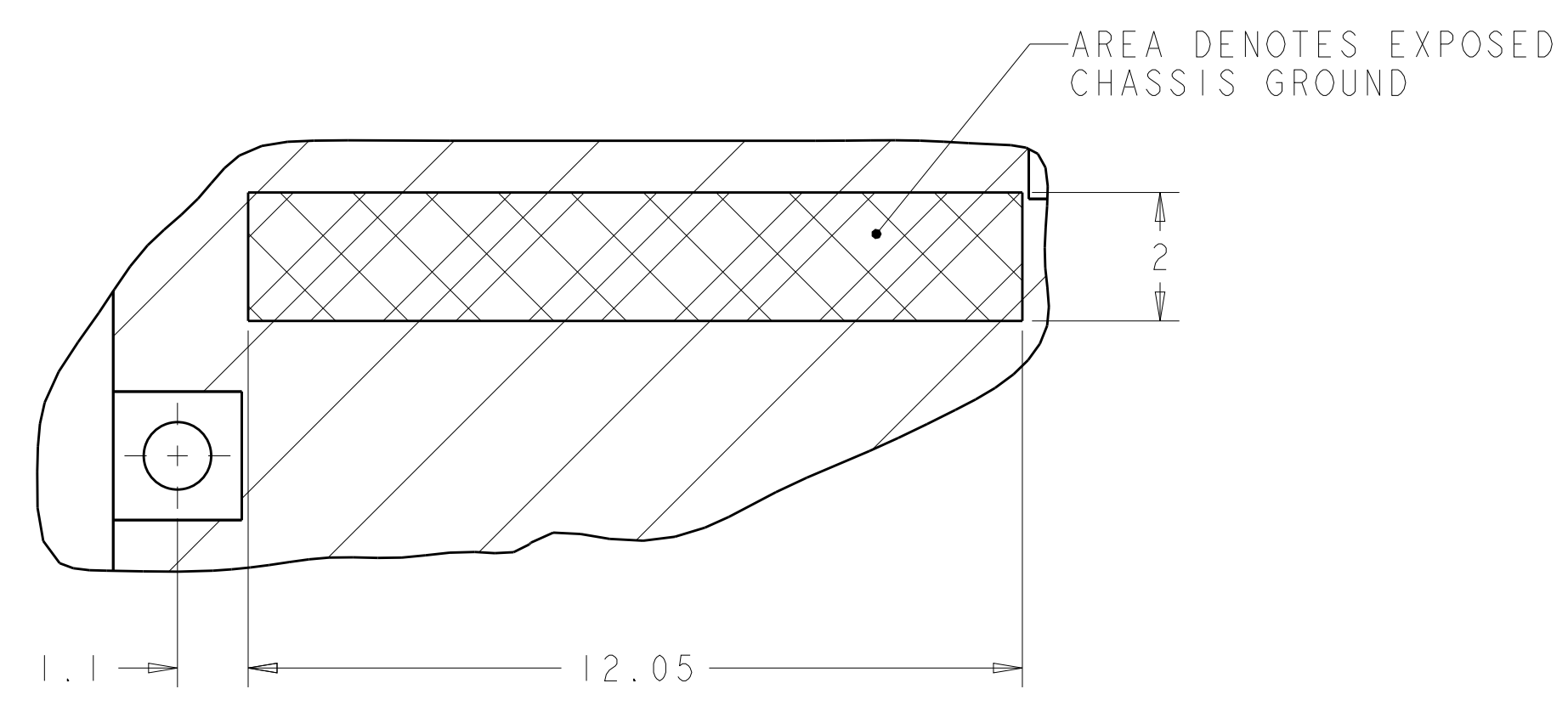
2149539-1
 MOUNTED ON PC BOARD
 SHOWN THRU RECOMMENDED BEZEL



2149539-1
 MOUNTED BELLY TO BELLY ON PC BOARD
 SHOWN THRU RECOMMENDED BEZEL

THIS DRAWING IS A CONTROLLED DOCUMENT.		OWN	M. SCHMITT	11AUG2010
DIMENSIONS:		CHK	M. SCHMITT	11AUG2010
mm	0 PLC ±0.1	APPV	B. WERTZ	11AUG2010
	1 PLC ±0.1	NAME		
	2 PLC ±0.1	SFP+ ENHANCED 1X4 CAGE ASSEMBLY		
	3 PLC ±0.1	PRESS FIT, EXTERNAL EMI SPRINGS		
	4 PLC ±0.1	WITH HEATSINK AND LIGHT PIPES		
	ANGLES ±0.1	SIZE		
	FINISH	114-13120		
MATERIAL		WEIGHT		
		Customer Drawing		
		SCALE		5:1
		SHEET		2 OF 4
		REV		A

LOC	DIST	REVISIONS			
GP	00	REV	DATE	BY	APPD
		1			
		2			
		3			
		4			
		5			
		6			
		7			
		8			
		9			
		10			



RECOMMENDED PCB CONFIGURATION WITH KEEP-OUT AREAS BELLY TO BELLY APPLICATIONS Δ SCALE 5:1

CROSS-HATCHED AREA DENOTES COMPONENT AND TRACE KEEP-OUT (EXCEPT CHASSIS GROUND)

THIS DRAWING IS A CONTROLLED DOCUMENT.		OWN: M. SCHMITT 11AUG2010	TE Connectivity
DIMENSIONS: mm		CHK: M. SCHMITT 11AUG2010	
TOLERANCES UNLESS OTHERWISE SPECIFIED:		APPD: B. WERTZ 11AUG2010	NAME: SFP+ ENHANCED 1X4 CAGE ASSEMBLY PRESS FIT, EXTERNAL EMI SPRINGS WITH HEATSINK AND LIGHT PIPES
0 PLC ±0.1		PRODUCT SPEC: 108-2364	
1 PLC ±0.1		APPLICATION SPEC: 114-13120	SIZE: A1 CAGE CODE: 00779 DRAWING NO: 2149539
2 PLC ±0.1		WEIGHT: -	
3 PLC ±0.1		Customer Drawing	SCALE: 5:1
4 PLC ±0.1			SHEET: 4 OF 4
ANGLES ±0.1			REV: A

单击下面可查看定价，库存，交付和生命周期等信息

[>>TE Connectivity\(泰科\)](#)