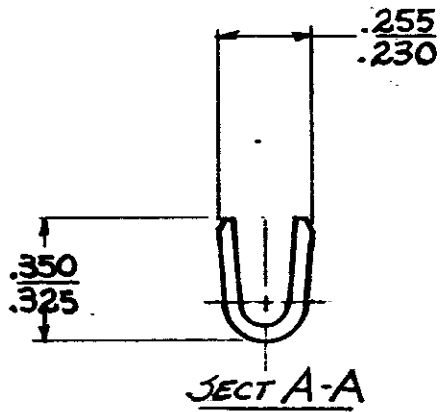
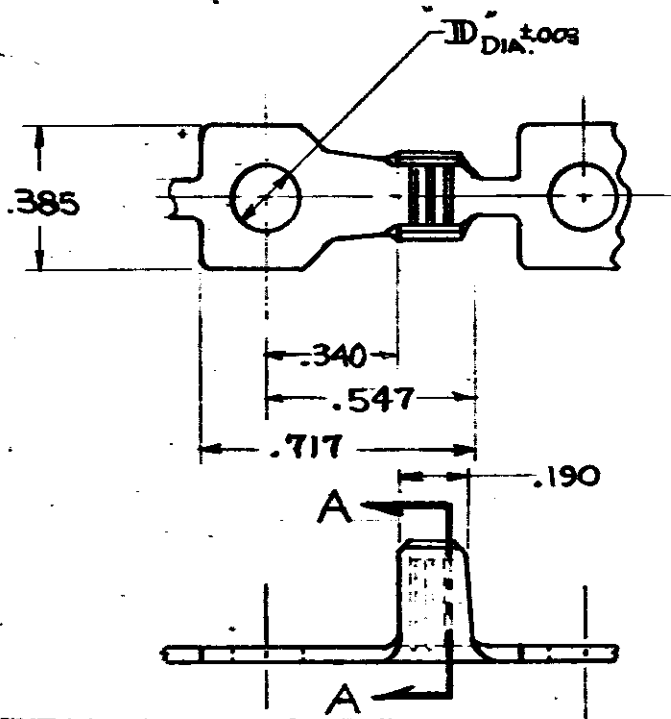


NUMBER  
42673

S



CONTINUOUS STRIP ON REELS

| WIRE SIZE | STUD # | "D" DIA. ±.003 | MATERIAL & FINISH  | PART NUMBER |
|-----------|--------|----------------|--------------------|-------------|
| 8-10      | 10     | .197           | .040 BRASS - NONE  | 42673-1     |
| "         | "      | "              | .040 - BRASS - TIN | 42673-2     |

DIMENSIONS IN INCHES. DO NOT SCALE PRINT.

©1968 BY AMP INCORPORATED. ALL RIGHTS RESERVED. AMP PRODUCTS COVERED BY PATENTS AND/OR PATENTS PENDING.

**CUSTOMER COPY  
REFERENCE ONLY**

MATERIAL AND FINISH  
*SEE TABLE*

**AMP** AMP INCORPORATED  
HARRISBURG, PENNA.

WIRE — RANGE — INSULATION  
*SEE TABLE* — 4 —

CLASS — 4 —  
TYPE — 4 —

TOLERANCE EXCEPT AS NOTED  
= .015 = 1" 0"

SCALE 2x1  
LOC. A  
NO. 42673  
REV. D

NAME — RING —

| APP. DATE | BY        | CHK. DATE | BY        |
|-----------|-----------|-----------|-----------|
| 1-3-68    | PP Frantz | 1-3-68    | PP Frantz |
| 1-3-68    | PP Frantz | 1-3-68    | PP Frantz |

AMP 1252 REV. 1160

单击下面可查看定价，库存，交付和生命周期等信息

[>>TE Connectivity\(泰科\)](#)