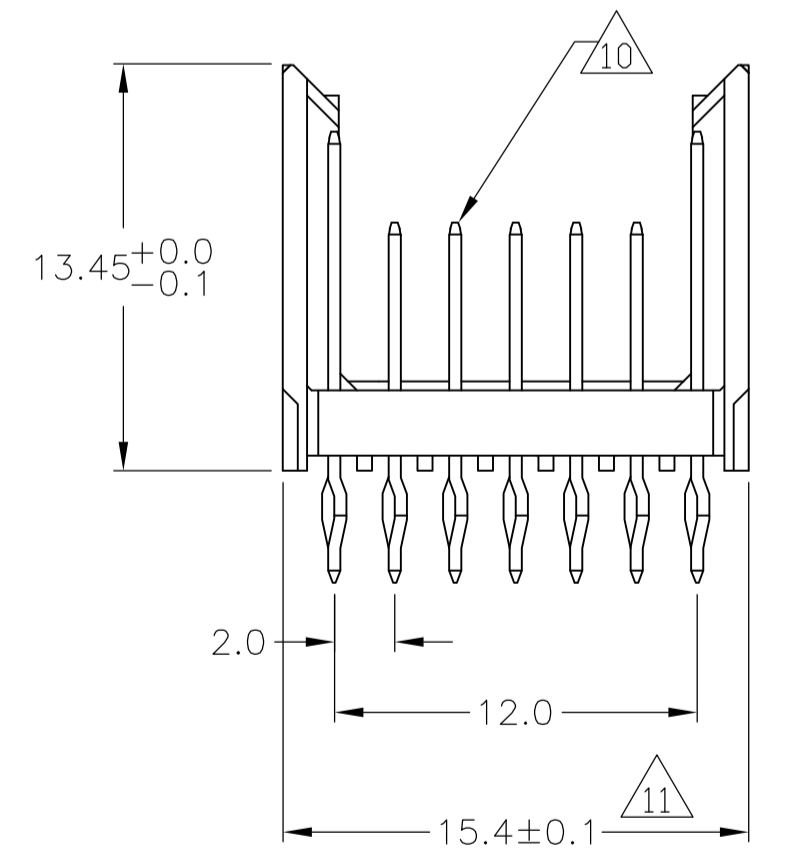
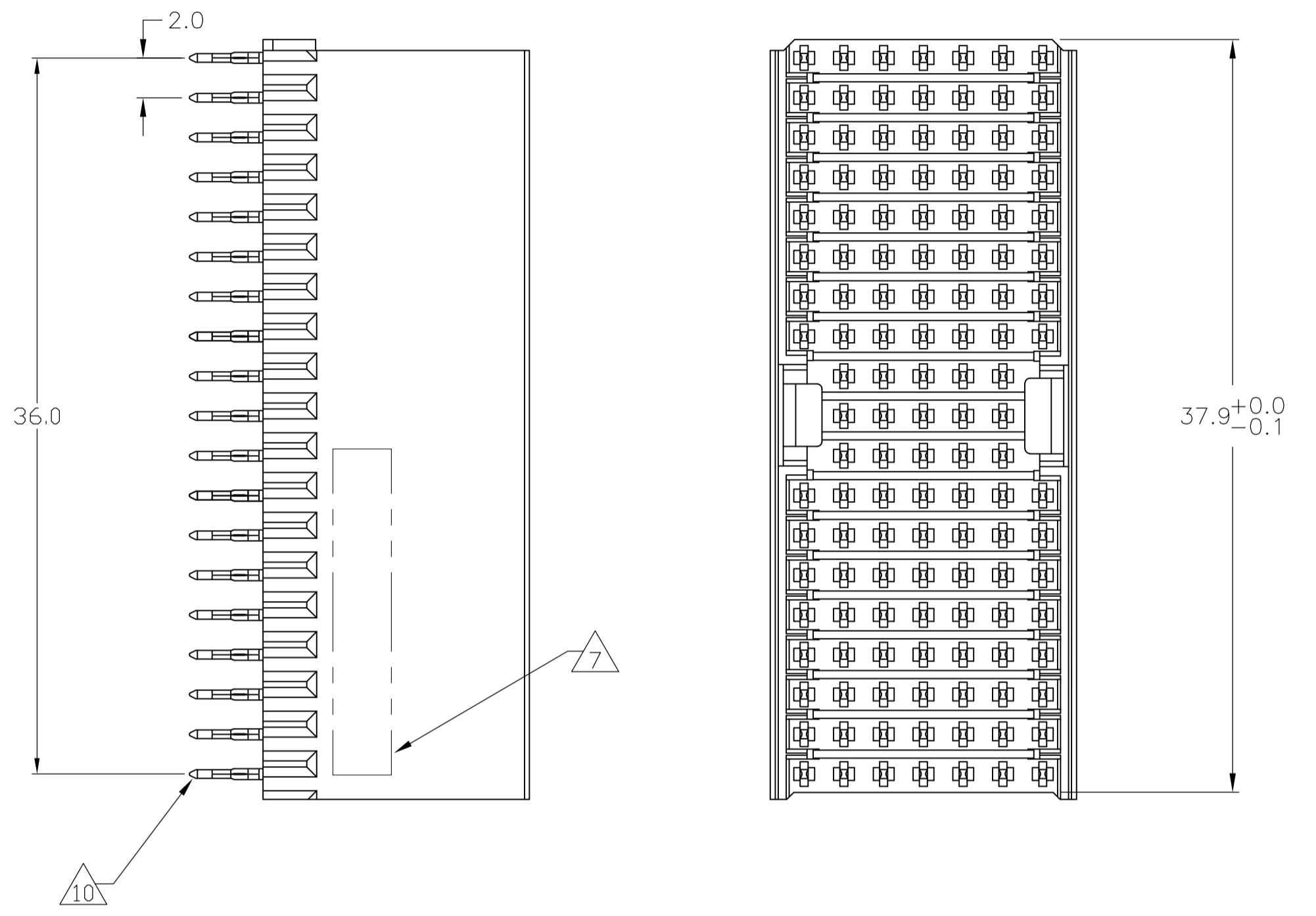
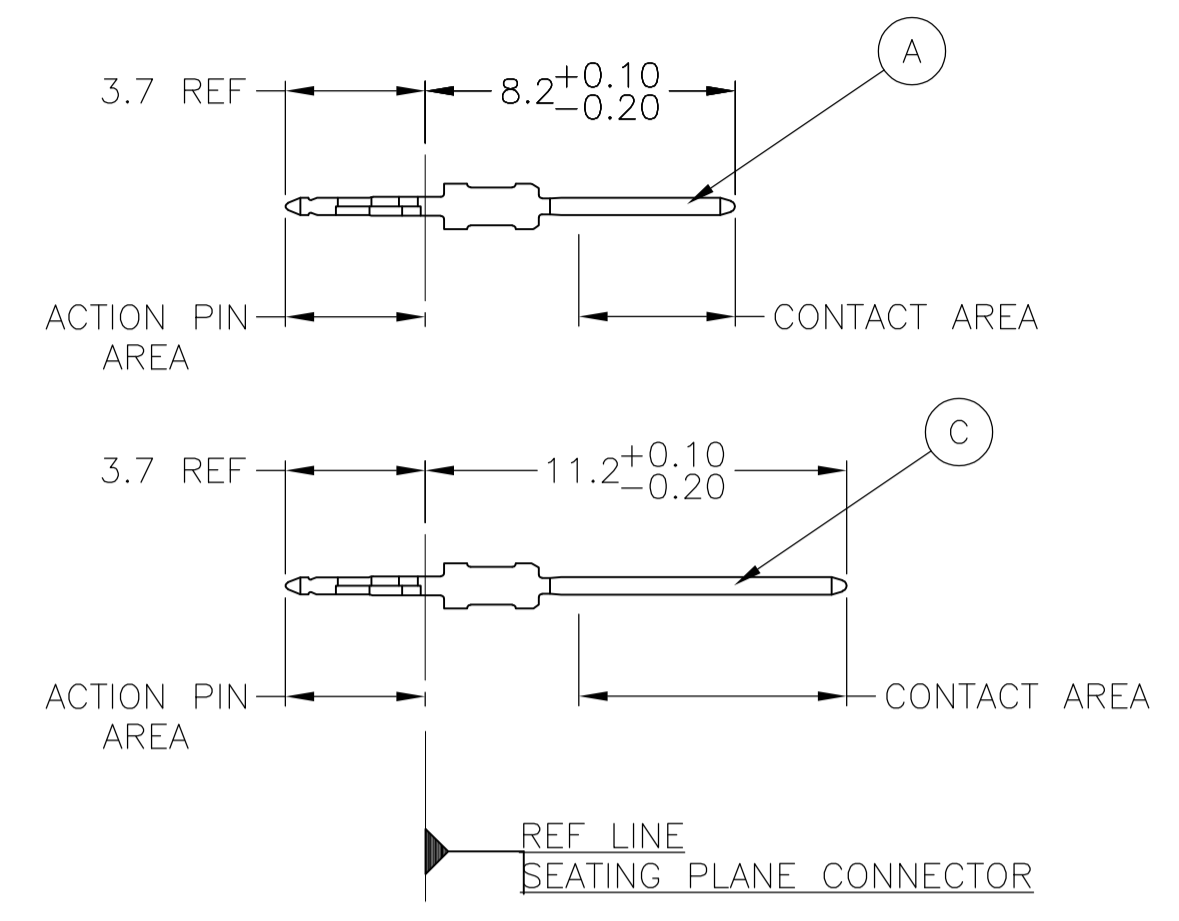


CONNECTOR ASSEMBLY
EXAMPLARY LOADED



CONTACT DIMENSIONS

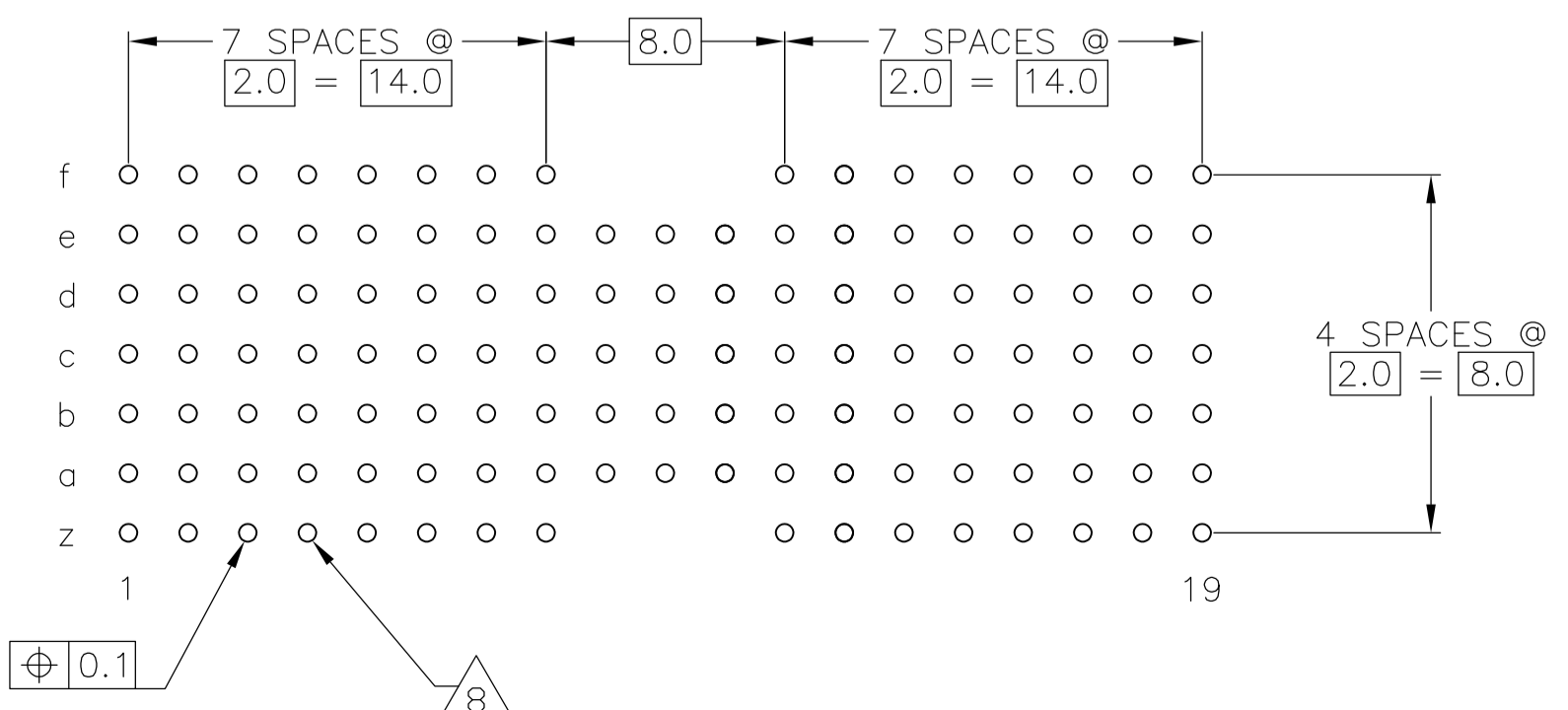
SCALE 5:1



CONTACT LAYOUT

	z	a	b	c	d	e	f
1	C	A	A	A	A	A	C
2	C	A	A	A	A	A	C
3	C	A	A	A	A	A	C
4	C	A	A	A	A	A	C
5	C	A	A	A	A	A	C
6	C	A	A	A	A	A	C
7	C	A	A	A	A	A	C
8	C	A	A	A	A	A	C
9		A	A	A	A	A	
10		A	A	A	A	A	
11		A	A	A	A	A	
12	C	A	A	A	A	A	C
13	C	A	A	A	A	A	C
14	C	A	A	A	A	A	C
15	C	A	A	A	A	A	C
16	C	A	A	A	A	A	C
17	C	A	A	A	A	A	C
18	C	A	A	A	A	A	C
19	C	A	A	A	A	A	C

RECOMMENDED PCB-HOLE LAYOUT
COMPONENT SIDE SHOWN



PLATED THRU HOLES PARAMETERS

REFERENCE APPLICATION SPECIFICATION

2 3 13	3-5646530-0
2 6 12	1-5646530-9
2 5 12	5646530-9
2 4	5646530-4
2 3	5646530-1
FINISH	PART NUMBER

THIS DRAWING IS A CONTROLLED DOCUMENT.

DIMENSIONS: mm	TOLERANCES UNLESS OTHERWISE SPECIFIED:	DIN B CARBO 07SEP05	APVD G SKIPPER 07SEP05	NAME	MALE ASSEMBLY, Z-PACK 2mm HM, TYPE A/B
0-PLC ±	1-PLC ±0.1	APVD G SKIPPER 07SEP05	PRODUCT SPEC	108-19082	RESTRICTED TO
2-PLC ±	3-PLC ±	APVD G SKIPPER 07SEP05	APPLICATION SPEC	114-19029	SIZE CAGE CODE DRAWING NO
4-PLC ±	ANGLES	WEIGHT	SEE TABLE	114-19029	A1 00779 C=5646530
1	SEE TABLE	CUSTOMER DRAWING	SCALE 4:1	SHEET 1 OF 2	REV B

LOC		DIST		REVISIONS			
P	LTR	DESCRIPTION	DATE	DN	APVD		
-	-	SEE SHEET 1	-	-	-	-	-

- 1 MATERIAL:
CONTACT: PHOSPHOR BRONZE.
HOUSING: GLASS-FILLED POLYESTER.
- 2 GENERAL PLATING SPECIFICATION: UNDERPLATING
(ENTIRE CONTACT): 1.27µm MIN NICKEL AND ACTION
PIN: 0.5µm MIN TIN.
FOR PLATING OF MATING SURFACES SEE APPLICABLE
SPECIFICATION REFERENCE FOR EACH DASH NUMBER.
- 3 CONFORMS TO ALL TESTING ACCORDING TO IEC 61076-4-101
PERFORMANCE LEVEL 2.
- 4 CONFORMS TO ALL TESTING ACCORDING TO IEC 61076-4-101
PERFORMANCE LEVEL 1.
- 5 CONNECTOR TESTED AND QUALIFIED AGAINST TELCORDIA GR-1217-CORE QUALITY LEVEL 3,
CENTRAL OFFICE APPLICATIONS.
- 6 CONNECTOR TESTED AND QUALIFIED AGAINST TELCORDIA GR-1217-CORE QUALITY LEVEL 3,
UNCONTROLLED ENVIROMENT APPLICATIONS.
- 7 CONNECTOR MARKED WITH PART NUMBER AND DATE CODE.
ADDITIONAL CHARACTERS OR MARKINGS, AS WELL AS THE LOCATION OF THE MARKINGS,
MAY BE ADDED FOR TRACEABILITY BASED UPON MANUFACTURERS DISCRETION.
- 8 PLATED-THROUGH HOLES AT 2x2mm SQUARE GRID
PATTERN DEFINED BY CONTACT LAYOUT.
- 9 FOR ACTUAL PIN LOADING SEE "CONTACT LAYOUT".
- 10 FOR ACTUAL PIN DIMENSIONS SEE "CONTACT DIMENSIONS".
- 11 TO BE MEASURED AT BOTTOM OF SHROUD.
- 12 CONNECTOR LUBRICATED WITH BELCORE APPROVED LUBRICANT,
TECHNICAL REFERENCE: TR-NWT-001217 ISSUE 1, SEP 1992.
- 13 0.76µm MIN GOLD PLATING ON MATING SURFACE.

THIS DRAWING IS A CONTROLLED DOCUMENT.		DIN B CARBO 07SEP05		TE Connectivity	
		GSKIPPER 07SEP05			
DIMENSIONS:		TOLERANCES UNLESS OTHERWISE SPECIFIED:		NAME	
mm		±0.2		108-19082	
		0-PLC ± 1-PLC ±0.1 2-PLC ± 3-PLC ± 4-PLC ± ANGLES ±		PRODUCT SPEC	
MATERIAL		FINISH		APPLICATION SPEC	
SEE SHEET 1		SEE SHEET 1		114-19029	
		WEIGHT		SIZE	
		-		A1	
		CUSTOMER DRAWING		CAGE CODE DRAWING NO	
				00779 5646530	
				RESTRICTED TO	
				-	
				SCALE	
				4:1	
				SHEET	
				2 OF 2	
				REV	
				B	

单击下面可查看定价，库存，交付和生命周期等信息

[>>TE Connectivity\(泰科\)](#)