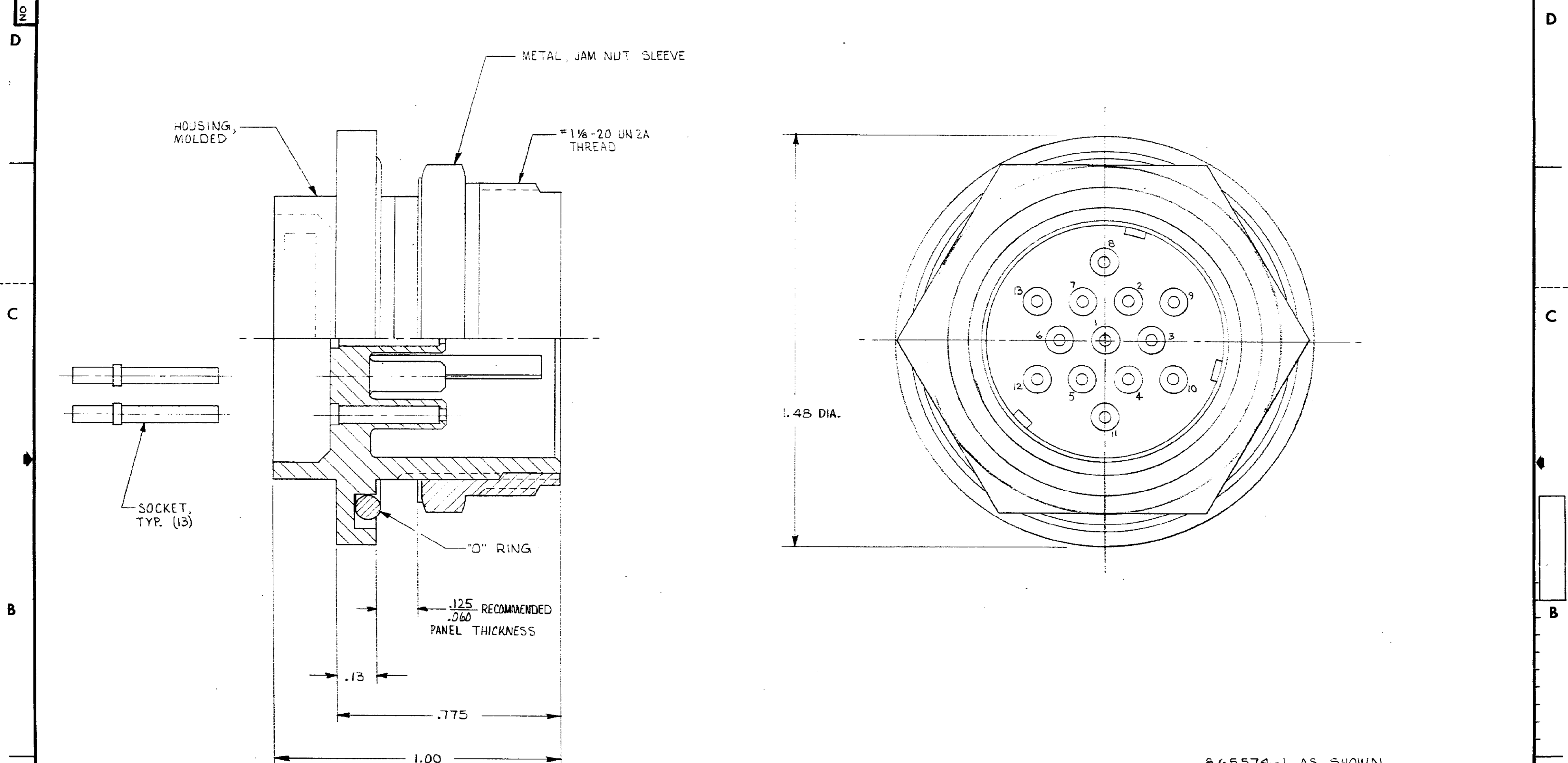


DRAWING MADE IN THIRD ANGLE PROJECTION

© COPYRIGHT 1979 BY AMP INCORPORATED, HARRISBURG, PA.
 ALL INTERNATIONAL RIGHTS RESERVED. AMP INCORPORATED PRODUCTS
 COVERED BY U. S. AND FOREIGN PATENTS AND/OR PATENTS PENDING.

LOC L 37
 DIST 37

REVISIONS				
P	F	ZONE	LTR	DESCRIPTION
				REF. SD-43975
				DATE 1-15-79
				APPROVED <i>g.w. saw</i>



865574-1 AS SHOWN

				UNLESS OTHERWISE SPECIFIED DIMENSIONS ARE IN INCHES. TOLERANCES: .00 ± .02 .000 ± .005 ANGLES ±		CONTRACT NO		AMP INCORPORATED Elizabethtown, Pa.	
				MATERIAL		DR DICK STONE 1-15-79		NAME	
				FINISH		CHK		13 PIN CIRCULAR RECEPTACLE KIT	
				NEXT ASSY		APPD <i>g.w. saw 1-16-79</i>		DSGN APPD	
				USED ON		APPD		OTHER APPD	
				QTY REQ		DSGN APPD		SIZE CODE IDENT NO DRAWING NO	
				APPLICATION		OTHER APPD		C 00779 865574	
						SCALE <i>1/1</i>		SHEET 1/1	

CUSTOMER DRAWING

单击下面可查看定价，库存，交付和生命周期等信息

[>>TE Connectivity\(泰科\)](#)