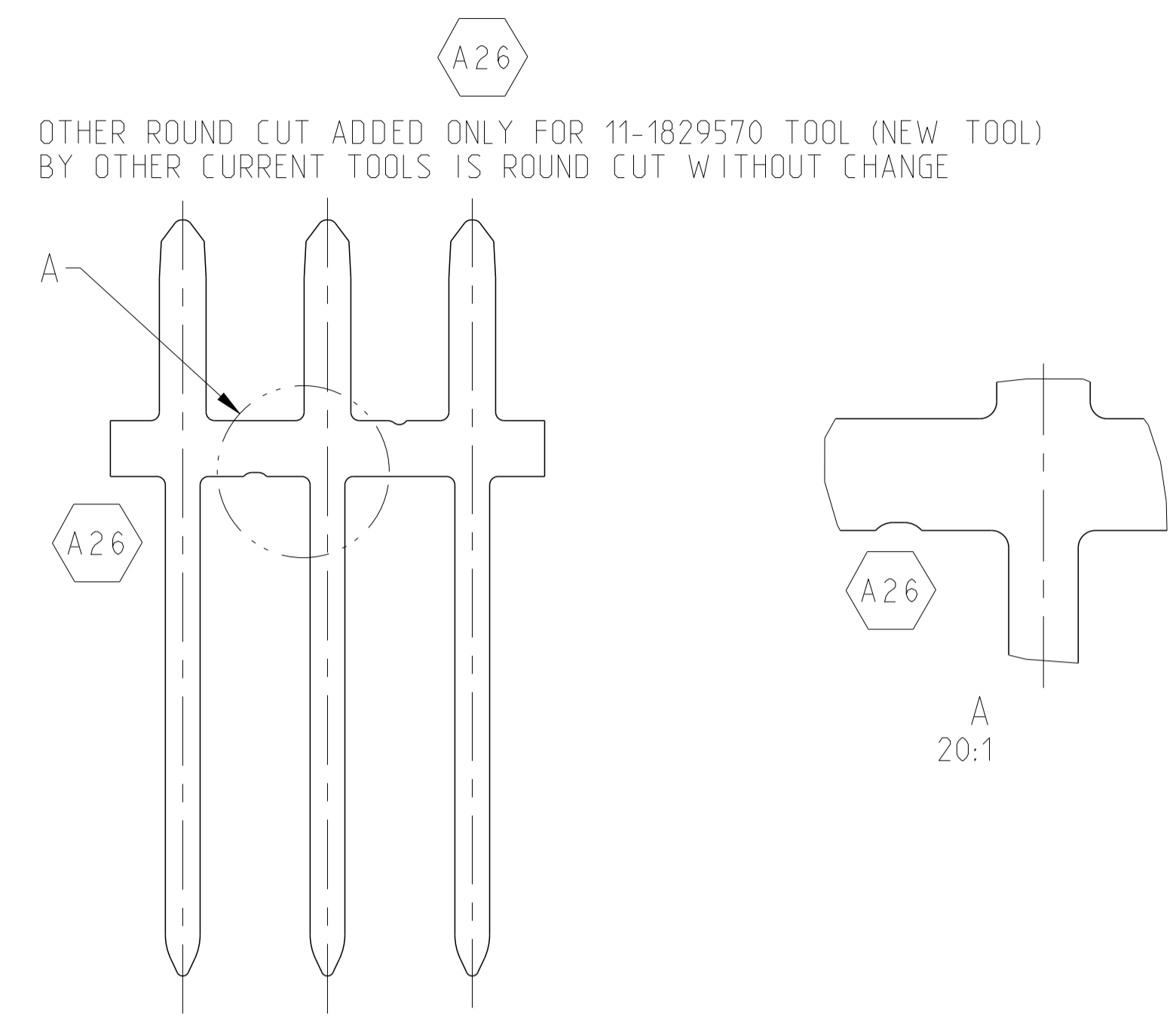




| LOC | DIST | REV | DATE | BY | APPV |
|-----|------|-----|------|----|------|
| GT  | -    |     |      |    |      |
|     |      |     |      |    |      |
|     |      |     |      |    |      |
|     |      |     |      |    |      |



|  |  |  |                        |                           |  |
|--|--|--|------------------------|---------------------------|--|
| THIS DRAWING IS A CONTROLLED DOCUMENT. |  | OWN<br>C. Beu<br>CHK<br>T. Sieler                            | 02DEC2002<br>10DEC2002 |                           |  |
| DIMENSIONS:<br>mm                      |  | TOLERANCES UNLESS OTHERWISE SPECIFIED:                       |                        |                           |  |
|  |  | 0 PLC ±0.5<br>1 PLC ±0.2<br>2 PLC ±0.1<br>3 PLC ±<br>4 PLC ± | APVD -                 | NAME<br>MQS               |  |
| MATERIAL<br>CuNiSi R5B0S               |  | ANGLES<br>FINISH   | APVD -                 | PRODUCT SPEC<br>108-18663 |  |
|  |  |  | APVD -                 | APPLICATION SPEC          |  |
|  |  |  | APVD -                 | SIZE<br>A1                |  |
|  |  |  | APVD -                 | CAGE CODE<br>00779        |  |
|  |  |  | APVD -                 | DRAWING NO<br>963964      |  |
|  |  |  | APVD -                 | RESTRICTED TO             |  |
|  |  |  | APVD -                 | SCALE<br>10:1             |  |
|  |  |  | APVD -                 | SHEET<br>2 OF 2           |  |
|  |  |  | APVD -                 | REV<br>A26                |  |
|  |  |  | APVD -                 | CUSTOMER DRAWING          |  |

单击下面可查看定价，库存，交付和生命周期等信息

[>>TE Connectivity\(泰科\)](#)