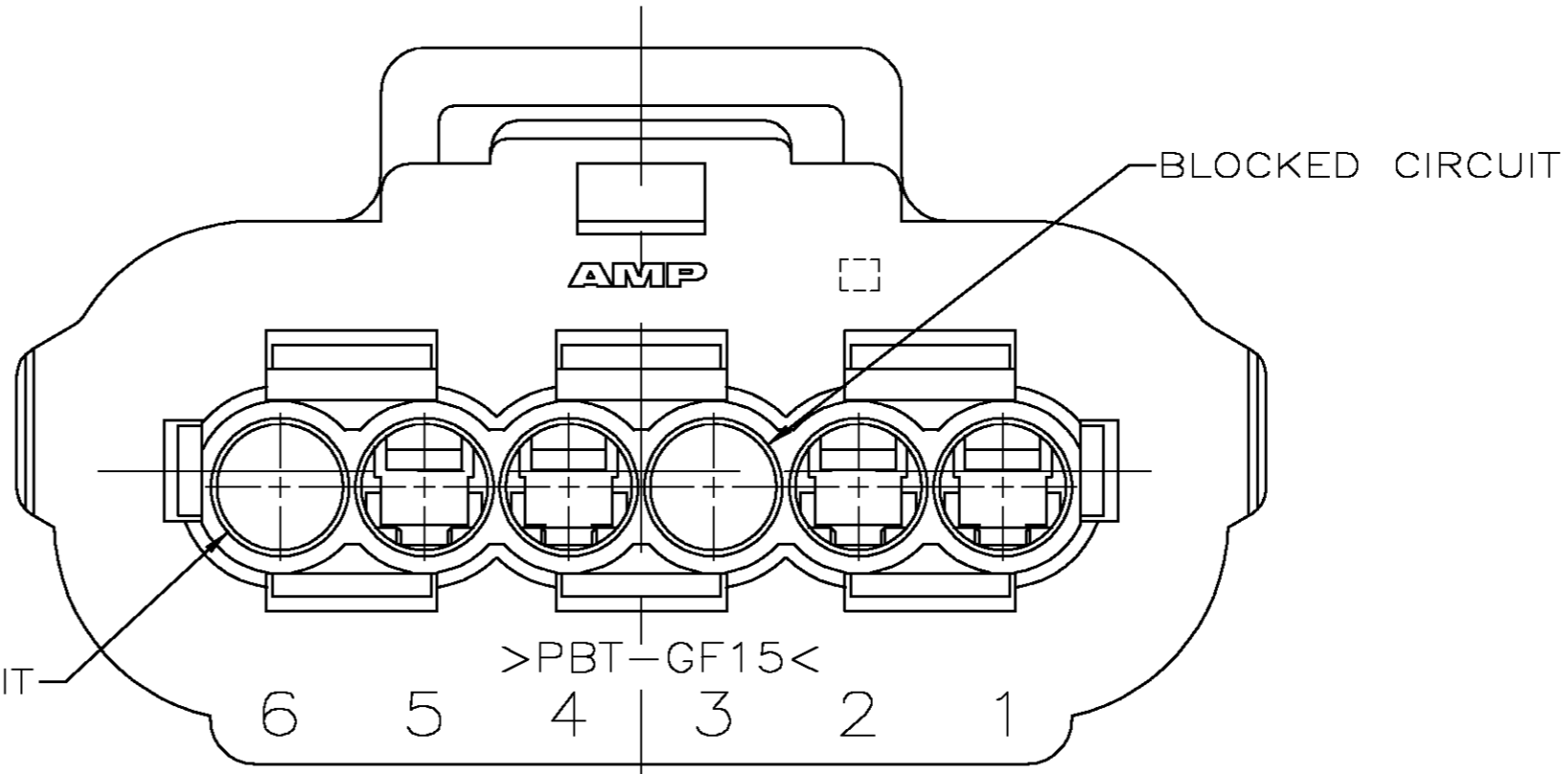
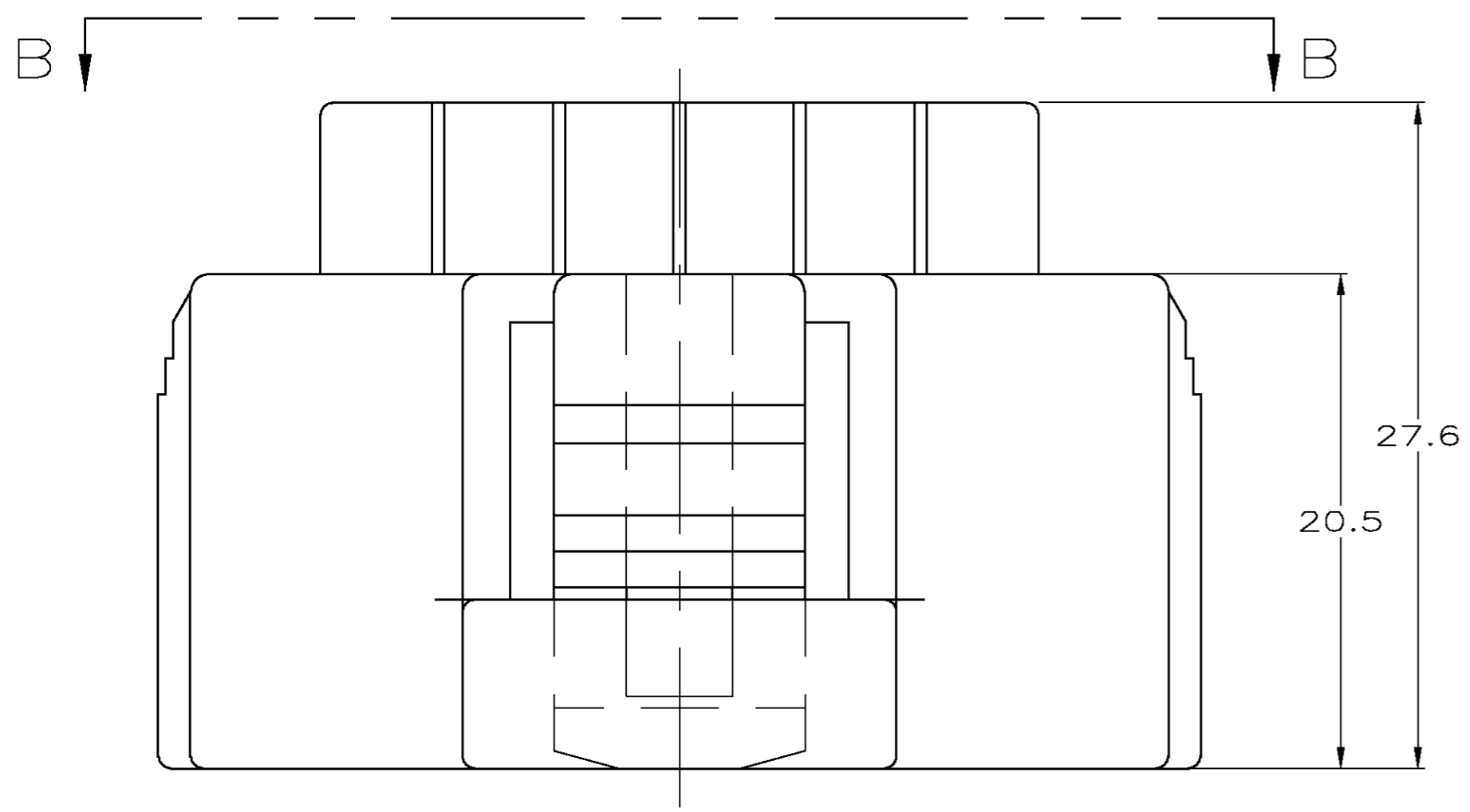
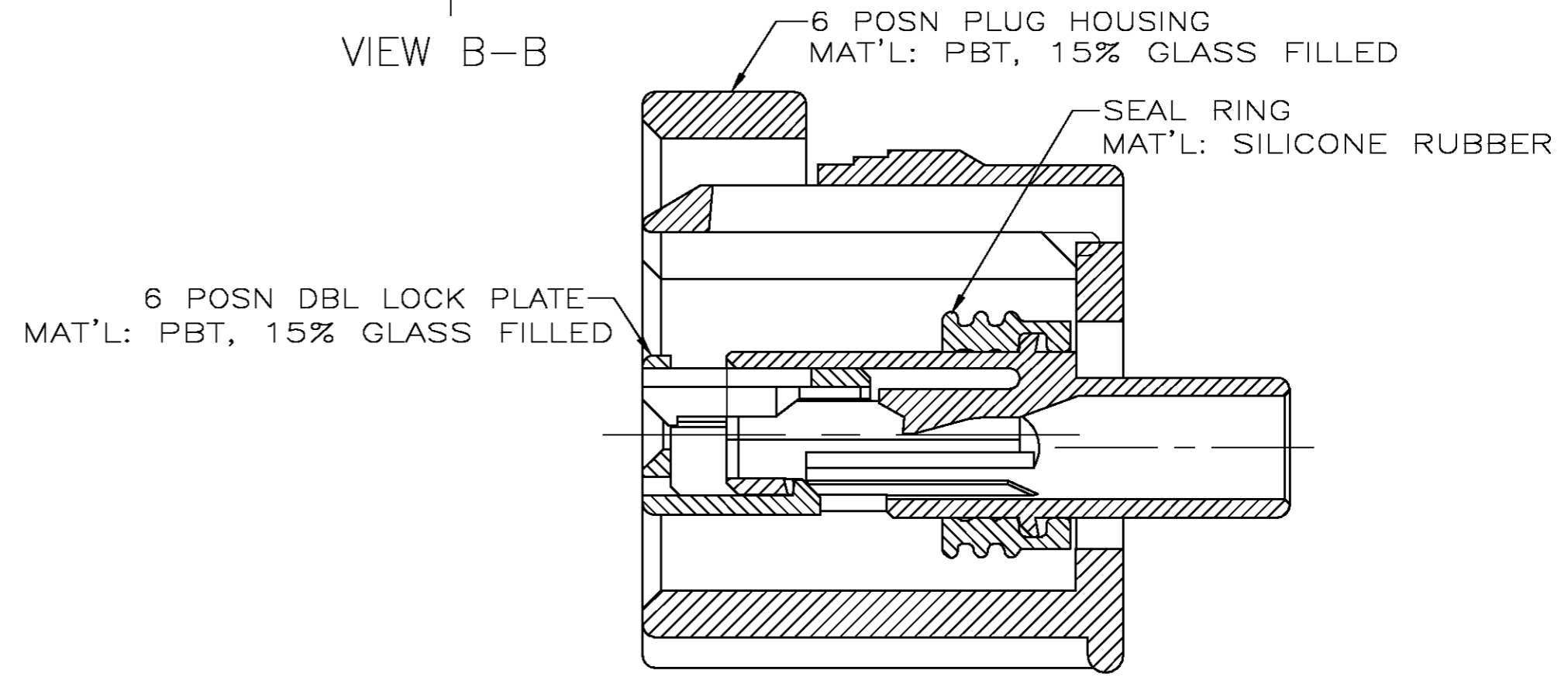
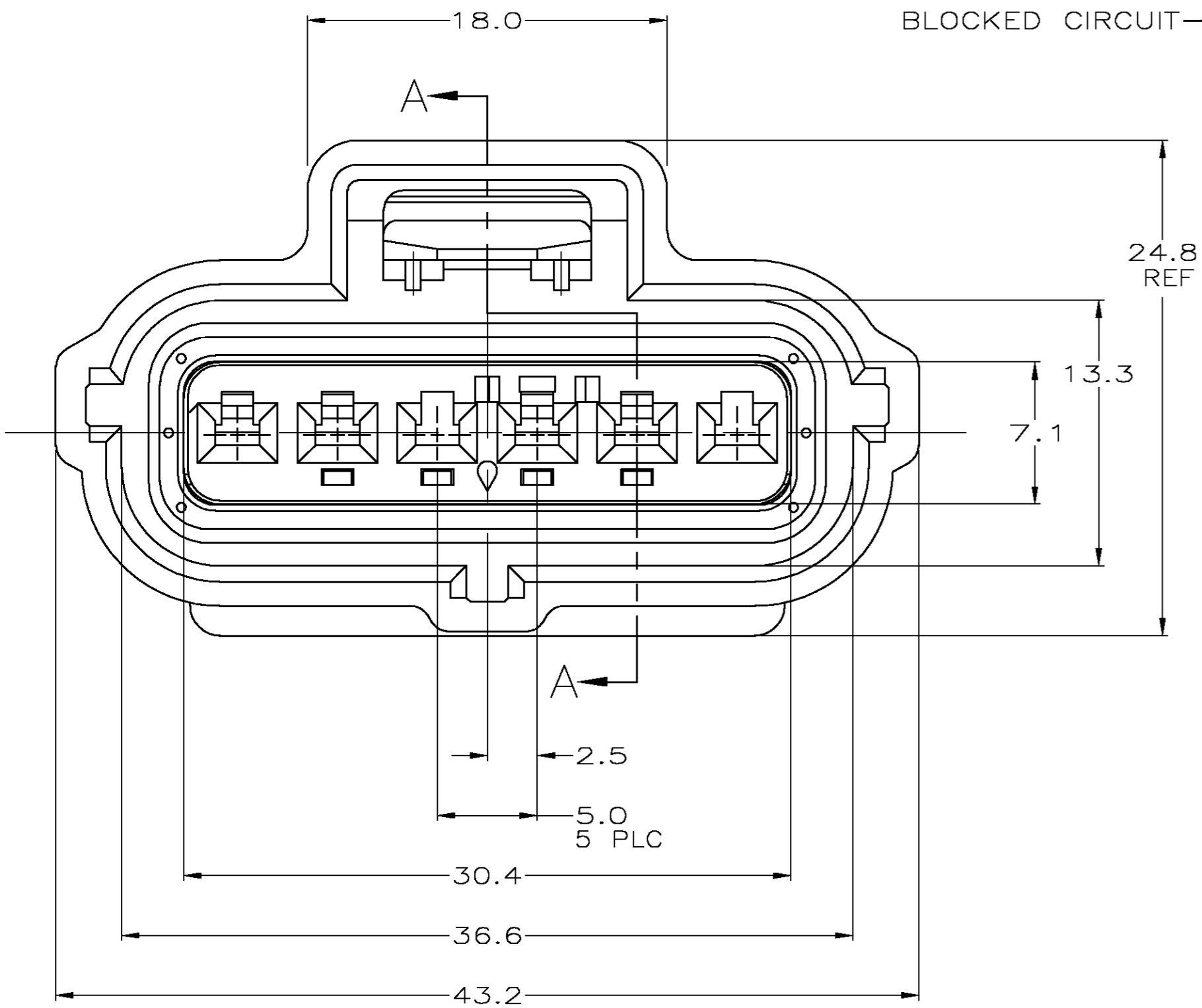


THIS DRAWING IS UNPUBLISHED. RELEASED FOR PUBLICATION
 © COPYRIGHT BY TYCO ELECTRONICS CORPORATION. ALL RIGHTS RESERVED.

LOC	DIST	REVISIONS			
P	LTR	DESCRIPTION	DATE	DWN	APVD
GE	00	A	EC 0K40-0177-04	13AUG04	JRB KLC



NOTES:
 1. CIRCUITS 3 AND 6 ARE BLOCKED.



SECTION A-A

184452-1
 PART NUMBER

THIS DRAWING IS A CONTROLLED DOCUMENT.		DWN DL DRUMMOND 30-SEP-03		Tyco Electronics Corporation	
DIMENSIONS: MM		CHK KL COBLE 30-SEP-03		Harrisburg, PA 17105-3608	
TOLERANCES UNLESS OTHERWISE SPECIFIED:		APVD KL COBLE 30-SEP-03	NAME		PLUG ASSEMBLY, 6 POSITION, SEALED SENSOR CONNECTOR
0 PLC ± -		PRODUCT SPEC	SIZE CAGE CODE DRAWING NO		
1 PLC ± -		APPLICATION SPEC	A2 00779 C=184452		RESTRICTED TO
2 PLC ± 0.3		WEIGHT	SCALE 4:1		SHEET 1 OF 1 REV A
3 PLC ± -		CUSTOMER DRAWING			
4 PLC ± -					
5 PLC ± -					
ANGLES ±' -					
FINISH					

单击下面可查看定价，库存，交付和生命周期等信息

[>>TE Connectivity\(泰科\)](#)