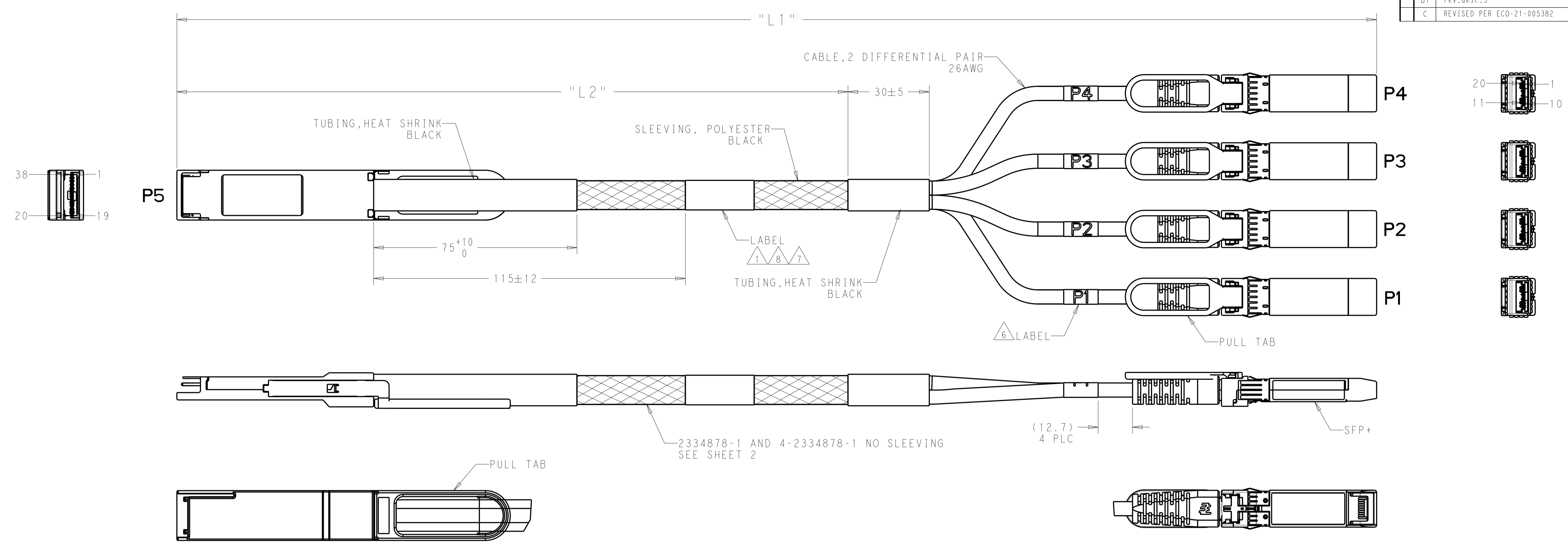
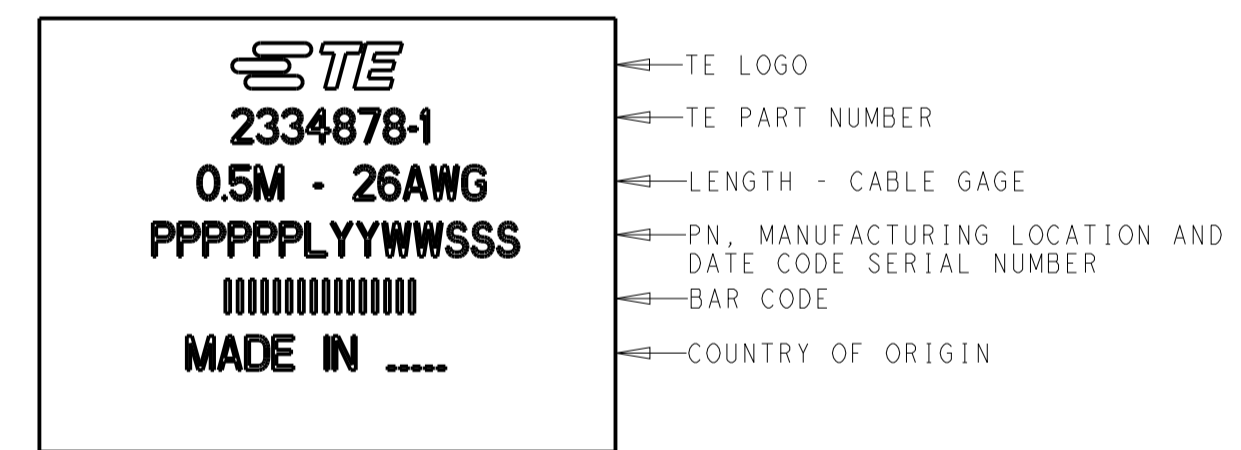


REVISIONS				
P	LTN	DESCRIPTION	DATE	APVD
A		PER ECO-18-020143	31DEC2018	MY GF
B		REV PER ECO-19-013192	27AUG2019	TS GF
B1		rev_desc_3	30AUG2019	AP GF
C		REVISED PER ECO-21-005382	30APR2021	KK AK



1 LABEL INFORMATION FOR 25 GIG PNS (-1 THRU -10): -1 SHOWN



- 2. SEE SHEET 2 FOR WIRING SCHEMATIC.
- 3. PRODUCT AND PROCESSING MUST MEET THE REQUIREMENTS OF TE SPECIFICATION TEC-138-702.
- 4. CABLE ASSEMBLY TO BE TESTED FOR OPENS, SHORTS AND PROPER EEPROM PROGRAM.

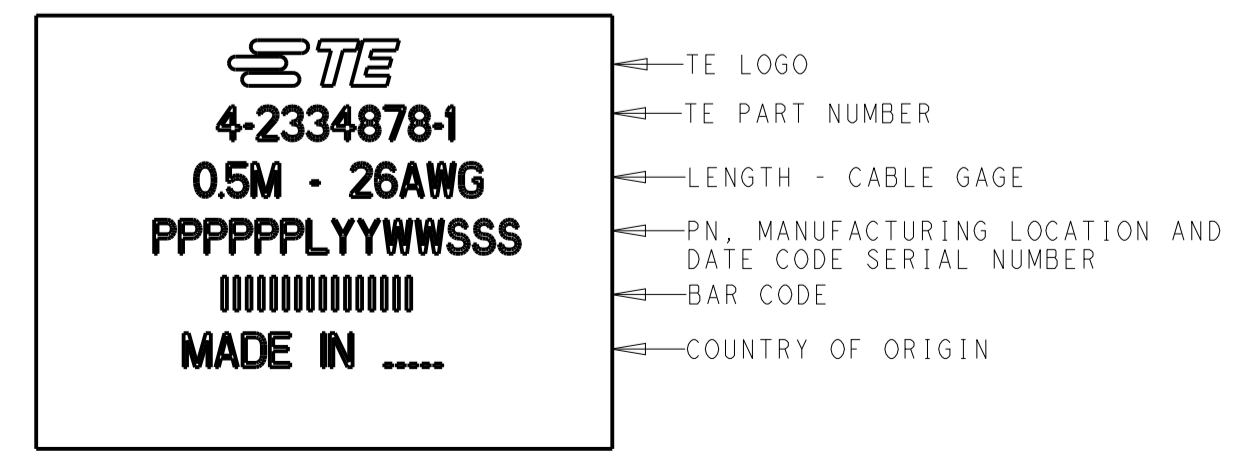
5 TEST IN ACCORDANCE WITH IEEE802.3bj.

6 LABEL INFORMATION: P1 SHOWN



7 SEE SHEET 2 FOR 2334878-1 AND 4-2334878-1 LABEL PLACEMENT.

8 LABEL INFORMATION FOR 56 GIG PNS (-41 THRU -46): -41 SHOWN



9 DASH NUMBER 41 THRU 46 CONFORM TO 56G, PAM-4 IEEE802.3CD PERFORMANCE REQUIREMENTS.

STANDARD	GAGE	"L2"		"L1"	PART NO
9	26	1000 ±25	3000 +80/-0	4-2334878-6	
	26	1000 ±25	2500 +80/-0	4-2334878-5	
	26	700 ±25	2000 +80/-0	4-2334878-4	
	26	500 ±25	1500 +50/-0	4-2334878-3	
	26	330 ±25	1000 +50/-0	4-2334878-2	
	26	120 ±12	500 +50/-0	4-2334878-1	
	5	26	2000 ±25	5000 +80/-0	1-2334878-0
		26	2000 ±25	4500 +80/-0	2334878-9
		26	2000 ±25	4000 +80/-0	2334878-8
		26	2000 ±25	3500 +80/-0	2334878-7
26		1000 ±25	3000 +80/-0	2334878-6	
26		1000 ±25	2500 +80/-0	2334878-5	
26		700 ±25	2000 +80/-0	2334878-4	
26		500 ±25	1500 +50/-0	2334878-3	
26		330 ±25	1000 +50/-0	2334878-2	
26		120 ±12	500 +50/-0	2334878-1	

THIS DRAWING IS A CONTROLLED DOCUMENT.

OWN: Y1 05MAY2018
 CHK: G. FRANKLIN 05MAY2018
 APVD: G. FRANKLIN 05MAY2018

TE Connectivity

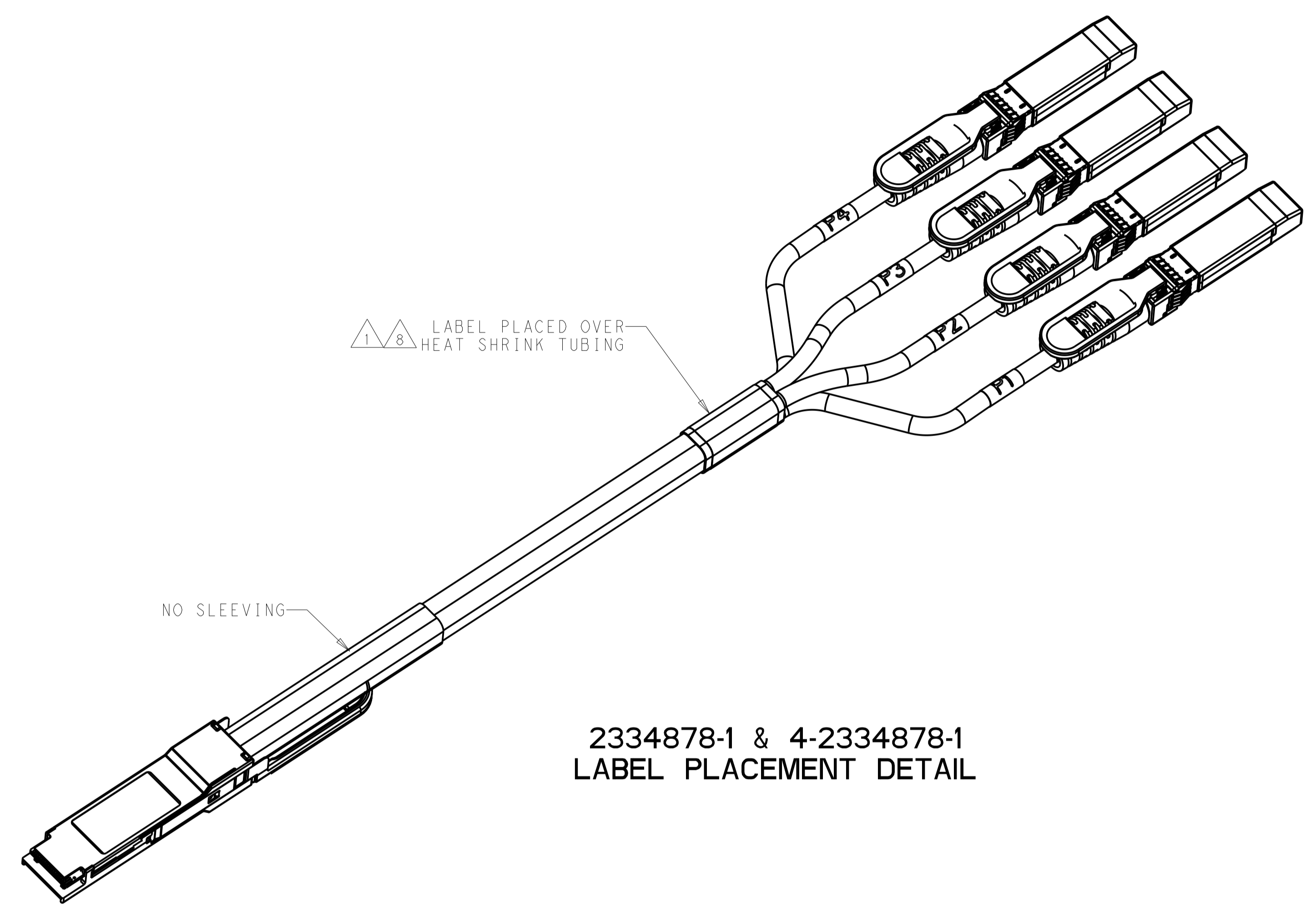
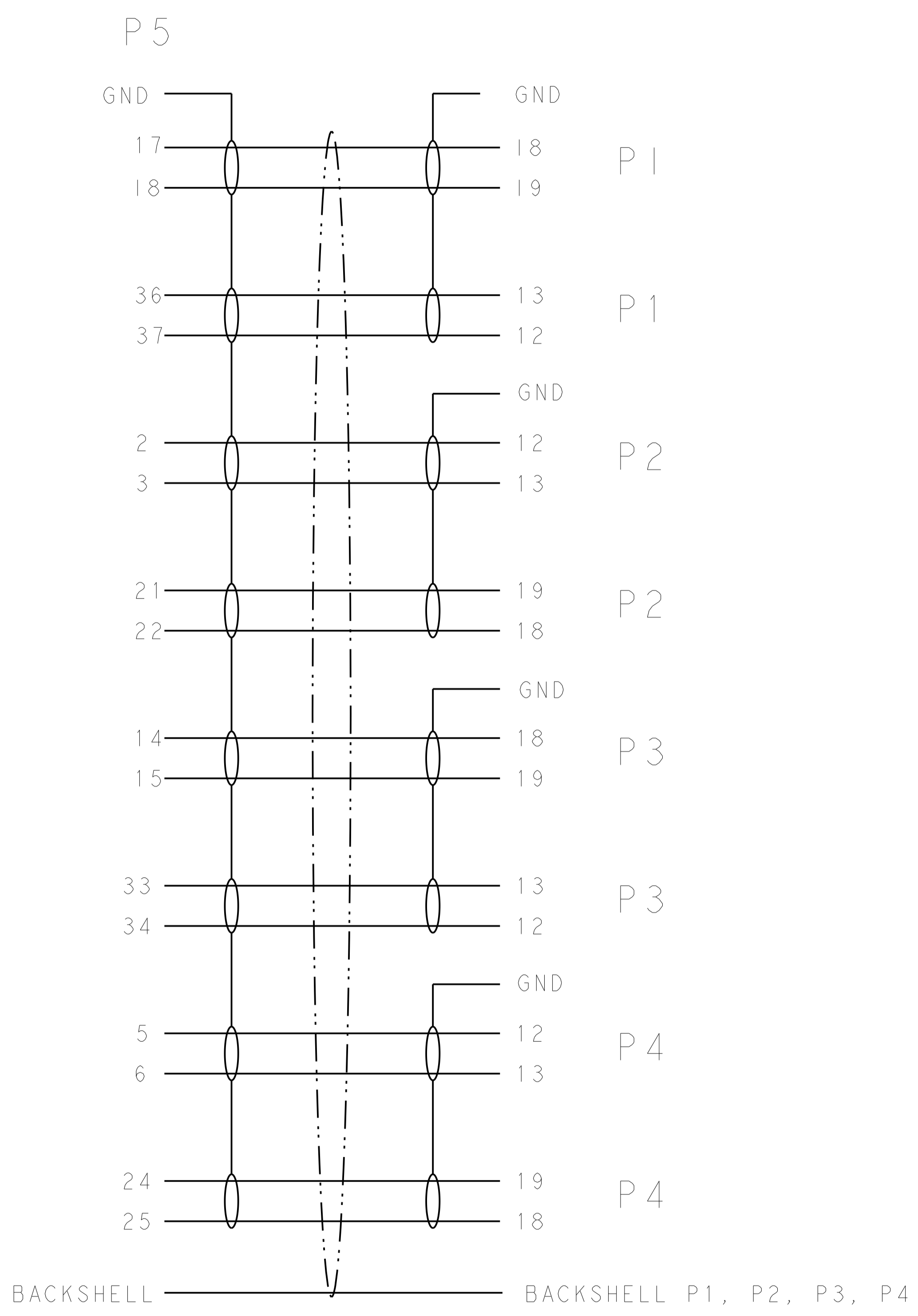
NAME: CABLE ASSEMBLY, QSFP28 TO (4) SFP+ 26AWG

SIZE: A1 CAGE CODE: 100779 DRAWING NO: 2334878

RESTRICTED CUSTOMER

SCALE: 5:4 SHEET 1 OF 2 REV C

REVISIONS				
P.	LTN	DESCRIPTION	DATE	APVD
		SEE SHEET 1		



**2334878-1 & 4-2334878-1
 LABEL PLACEMENT DETAIL**

THIS DRAWING IS A CONTROLLED DOCUMENT.		OWN: Y1 05MAY2018	STE TE Connectivity
DIMENSIONS: mm		CHK: G. FRANKLIN 05MAY2018	
TOLERANCES UNLESS OTHERWISE SPECIFIED:		APVD: G. FRANKLIN 05MAY2018	NAME: CABLE ASSEMBLY, QSFP28 TO (4) SFP+ 26AWG
0 PLC ±		PRODUCT SPEC	
1 PLC ±		APPLICATION SPEC	SIZE: A1
2 PLC ±		RESTRICTED TO	CAGE CODE: 00779
3 PLC ±		RESTRICTED CUSTOMER	DRAWING NO: 2334878
4 PLC ±		SCALE: 3:2	SHEET 2 OF 2
ANGLES ±		REV: C	
FINISH			

单击下面可查看定价，库存，交付和生命周期等信息

[>>TE Connectivity\(泰科\)](#)