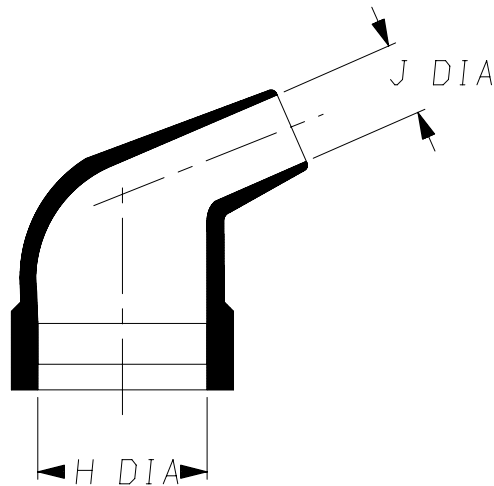
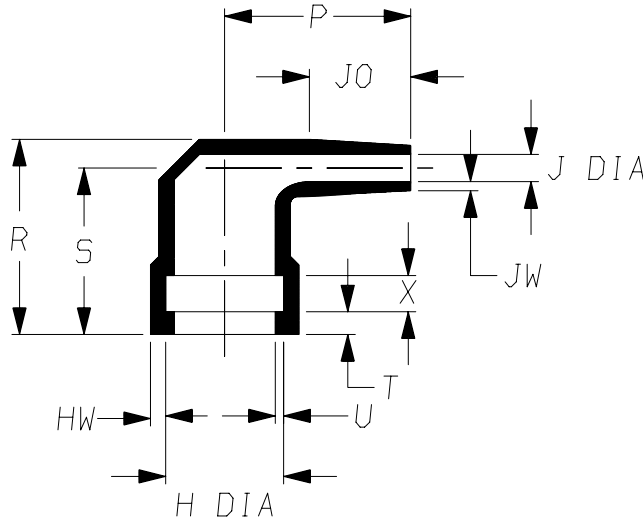


a) Part as supplied

224W221-12-G03



b) Part after unrestricted recovery.



DIMENSIONS in millimetres  
(in inches, for reference)

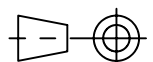
Part Number	H		J		P	R	S	T	U	X	JO	HW	JW
	Min	Max	Min	Max	$\pm 10\%$	$\pm 10\%$	$\pm 10\%$	$\pm 10\%$	$\pm 10\%$	$\pm 10\%$	$\pm 10\%$	$\pm 20\%$	$\pm 20\%$
	a	b	a	b	b	b	b	b	b	b	b	b	b
224W221-G03	11 {0.43}	7.8 {0.31}	6.0 {0.24}	1.9 {0.07}	12.3 {0.48}	13 {0.51}	11 {0.43}	1.5 {0.06}	0.55 {0.02}	2.4 {0.09}	6.6 {0.26}	1.0 {0.04}	0.5 {0.02}

# #  
This variant has a smaller H & J outlet  
Modified dimensions are shown thus:- #

Copyright (!)

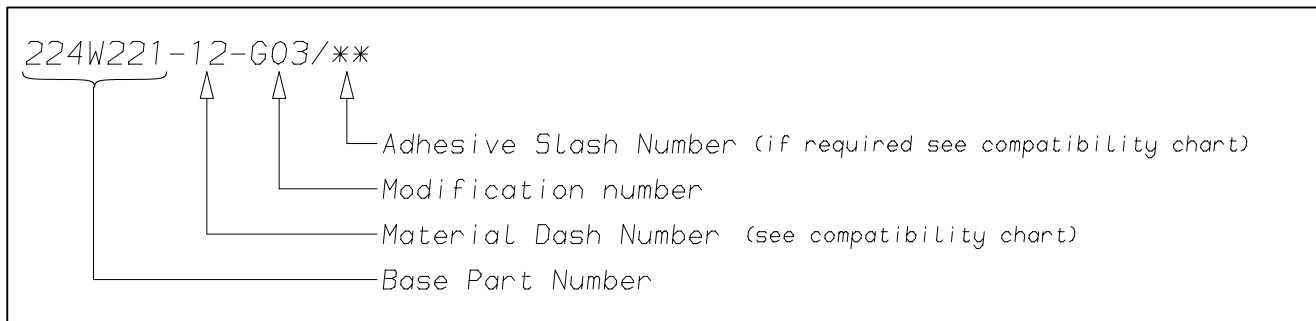
The copyright in this drawing is the property of Tyco Electronics UK Ltd. The drawing is issued on the condition that it is not copied, reproduced or disclosed to a third party, either in whole or in part without the prior written consent of Tyco Electronics UK Ltd.

Drawn A.LILLEY. Checked Issue 1 Date December 2007 Conforms to ISO Recommendations  
3rd Angle Projection  
Not to Scale  
Approval Design MKTG. Tech.



<b>Raychem</b>		<b>Specification Control Drawing</b>	Part Number 224W221-12-G03	Issue 1
Iss.	Date	E.C.R. No.	Details of Change	

(Ordering Information)



(COMPATIBILITY CHART)

Material Dash Number	Material Description	SPEC Number	Coating Slash Number
-12	FLUOROELASTOMER, FLEXIBLE	RT-1312	

Tyco electronics UK Ltd. Faraday Road, Swindon, Wiltshire, SN3 5HH England Telephone: (01793) 528171 Fax: 572516	Tyco electronics Corporation 300, Constitution Drive, Menlo Park, CA 94025 USA Telephone (650) 361-3860 Fax: (650) 361-5579
Cage Code K1010	Cage Code 06090

单击下面可查看定价，库存，交付和生命周期等信息

[>>TE Connectivity\(泰科\)](#)