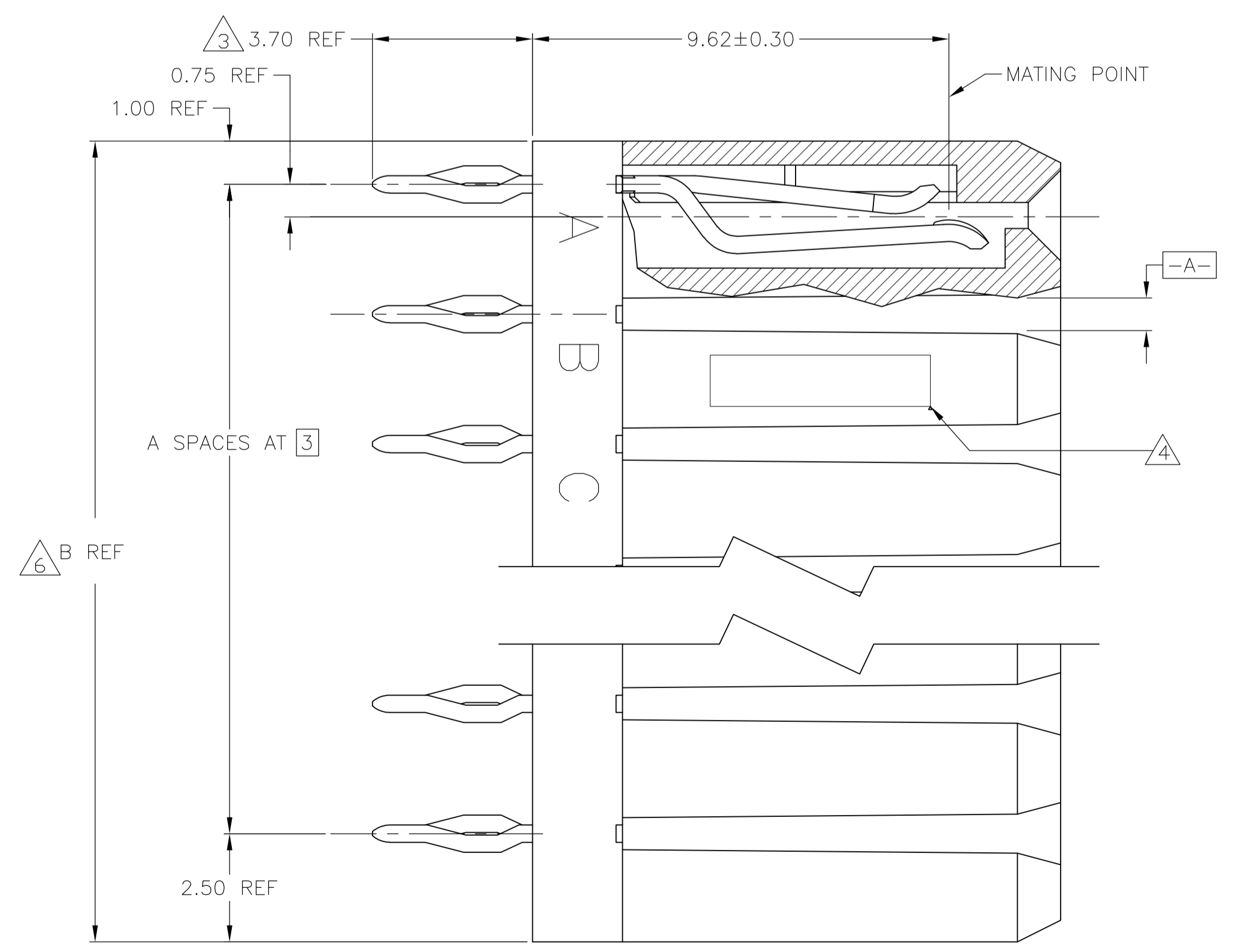
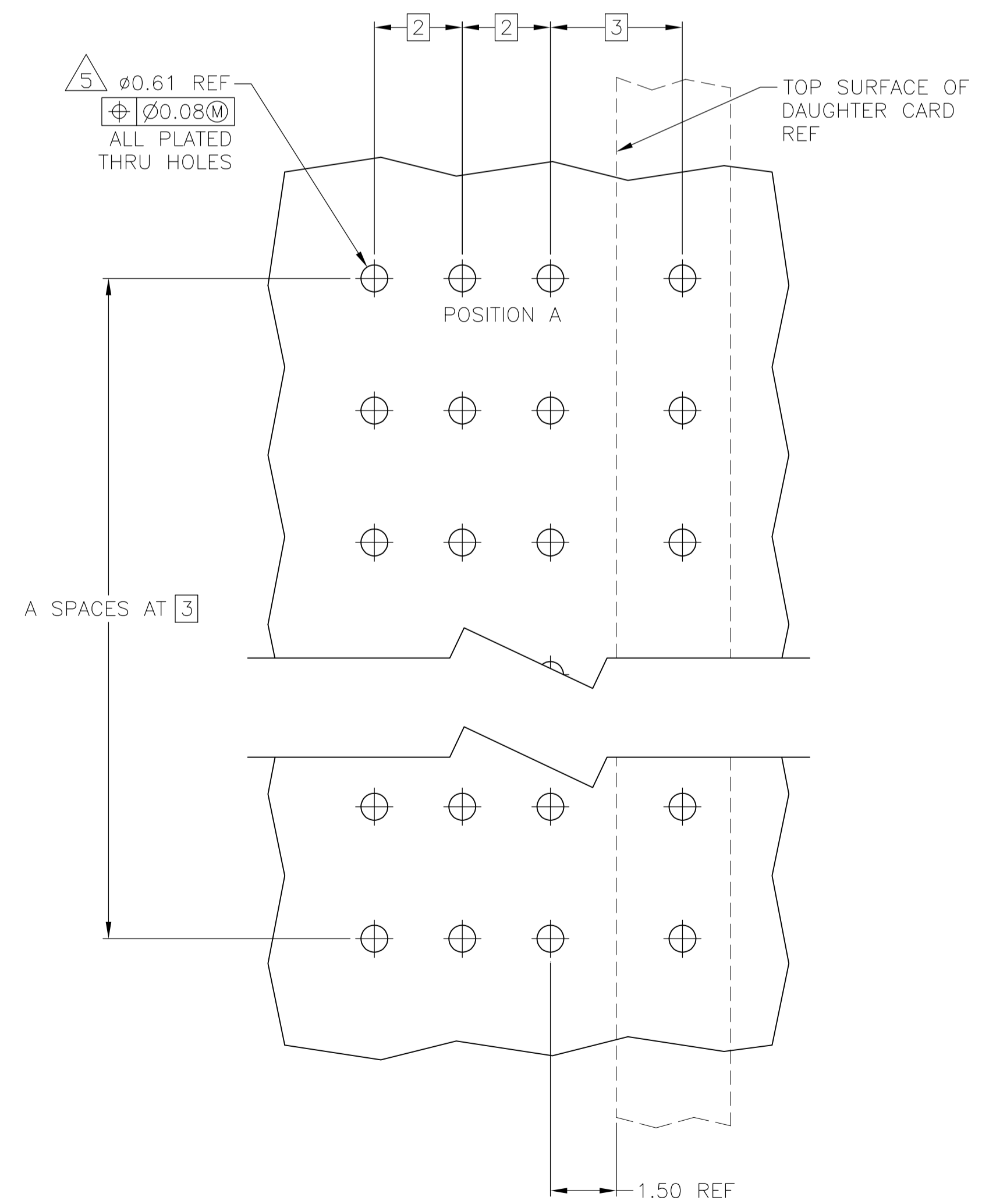
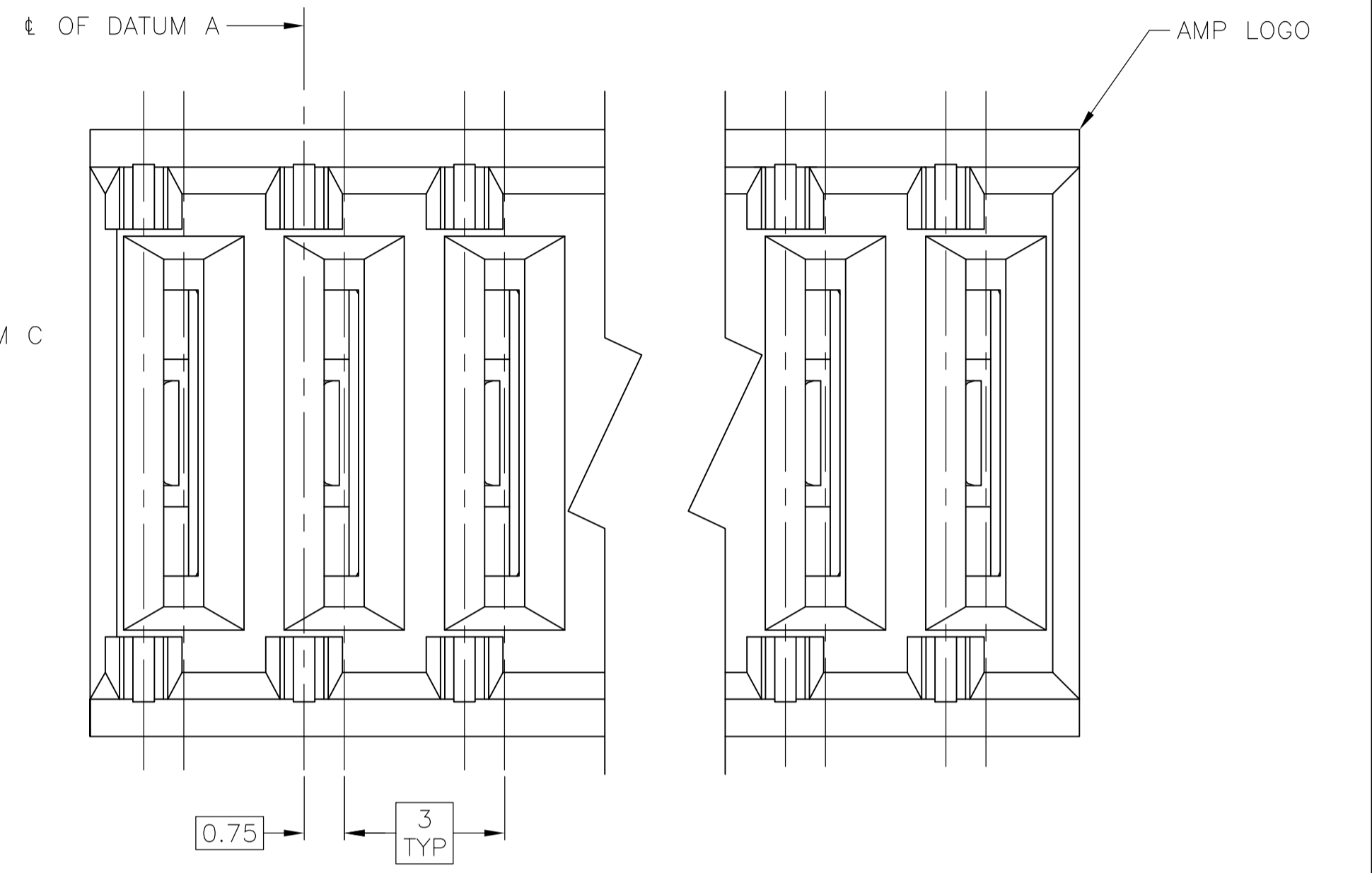
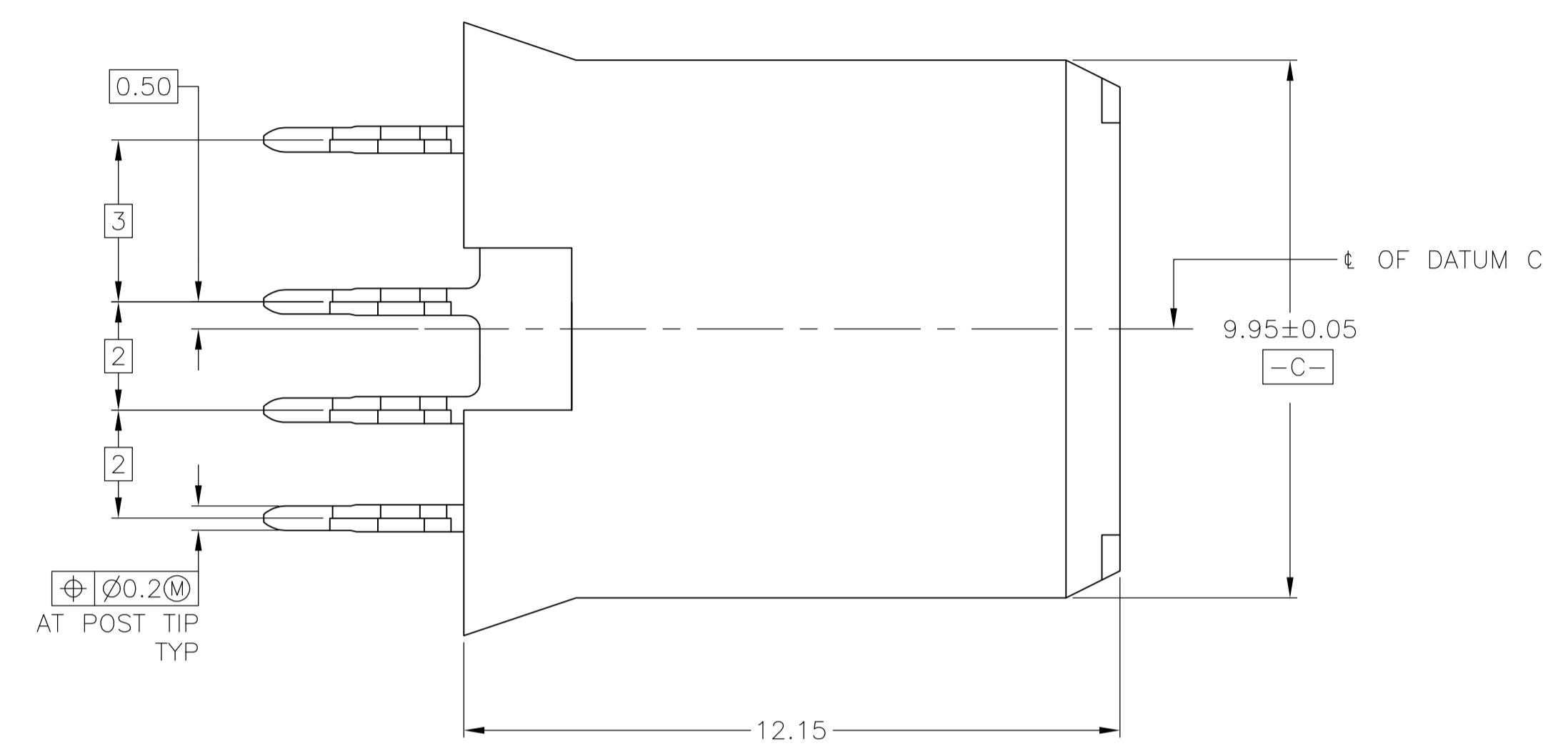
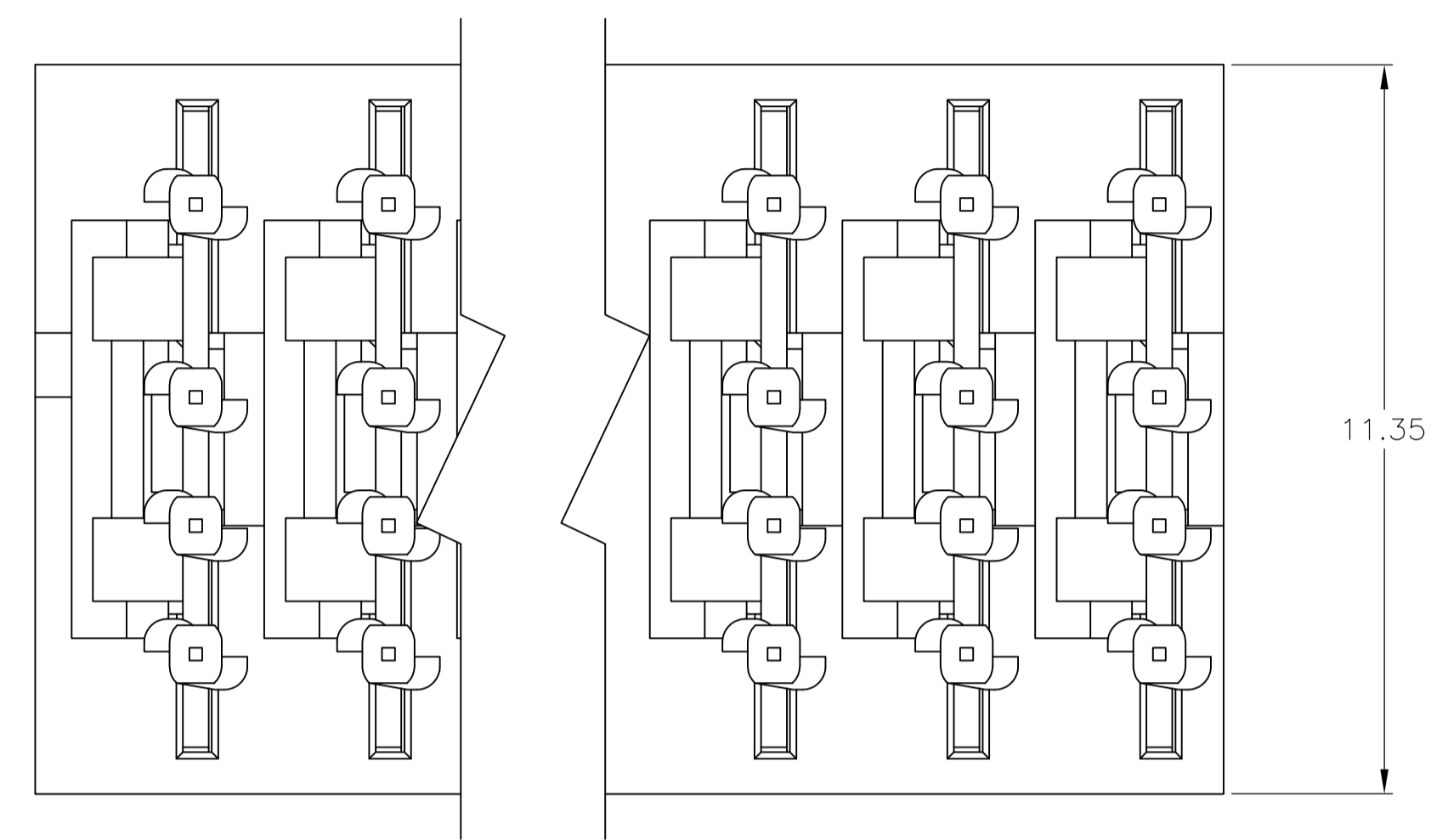


- 1 MATERIAL: HOUSING : POLYESTER, UL 94V-0 RATED. COLOR, GRAY.  
CONTACT: PHOSPHOR BRONZE.
- 2 FINISH: CONTACT MATING AREA: 1.27µm MINIMUM GOLD OR 0.08µm MIN GOLD OVER  
0.76µm MIN PALLADIUM-NICKEL.  
ACTION PIN AREA, 0.5µm MINIMUM TIN-LEAD PLATE,  
ALL OVER 1.27µm MINIMUM NICKEL UNDERPLATE.
- 3 TOLERANCE TO BE ±0.28 AFTER CONNECTOR IS APPLIED TO PC BOARD.
- 4 DATE CODE THIS APPROXIMATE AREA, OPPOSITE SIDE.
- 5 REFERENCE APPLICATION SPEC 114-1103 FOR RECOMMENDED  
PLATED THRU HOLE DIAMETER AND PLATING THICKNESSES.
- 6 TOLERANCE TO BE +0.5/-0.10 BEFORE CONNECTOR IS APPLIED TO PC BOARD.
- 7 CURRENT RATING 10A/CONTACT PER PRODUCT SPEC 108-1651.



RECOMMENDED PCB HOLE LAYOUT

12	36.5	11	223995-9
11	33.5	10	223995-8
10	30.5	9	223995-7
9	27.5	8	223995-6
8	24.5	7	223995-5
7	21.5	6	223995-4
6	18.5	5	223995-3
5	15.5	4	223995-2
4	12.5	3	223995-1
POSITION	B REF	A	PART NUMBER

THIS DRAWING IS A CONTROLLED DOCUMENT.

DIMENSIONS:	TOLERANCES UNLESS OTHERWISE SPECIFIED:	DIN	12/9/99		Tyco Electronics Corporation Harrisburg, PA 17105-3608
mm	0 PLC ± - 1 PLC ± - 2 PLC ± 0.13 3 PLC ± - 4 PLC ± - ANGLES ± -	CHK	12/9/99		NAME
		APPLICATION SPEC		PRODUCT SPEC	
MATERIAL	FINISH	WEIGHT		SIZE	CAGE CODE
1	2			A1	00779
CUSTOMER DRAWING		SCALE	10:1	SHEET	1 OF 1
		REV	E4		

单击下面可查看定价，库存，交付和生命周期等信息

[>>TE Connectivity\(泰科\)](#)