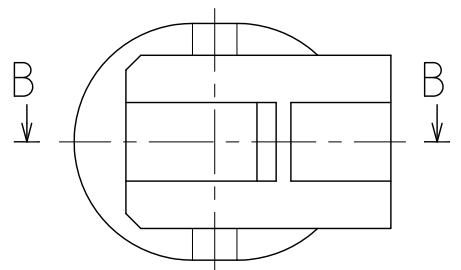
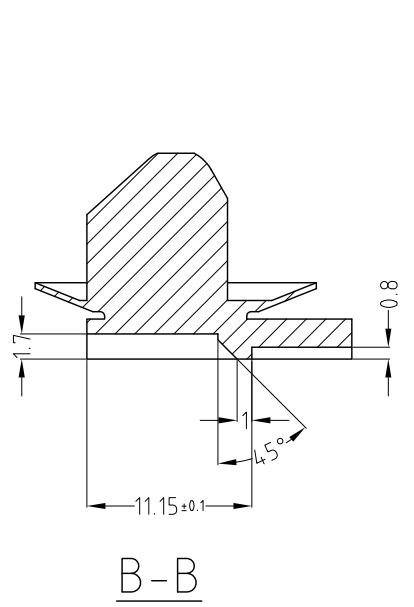
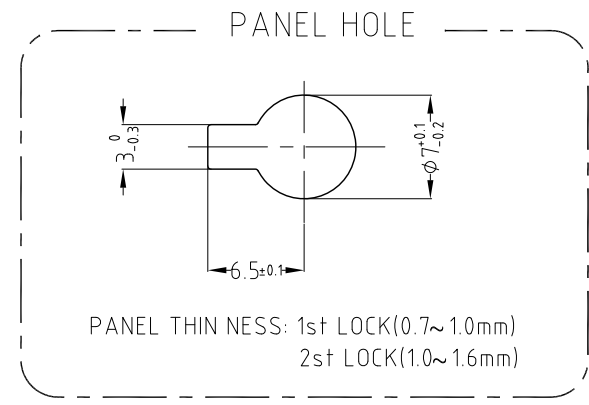
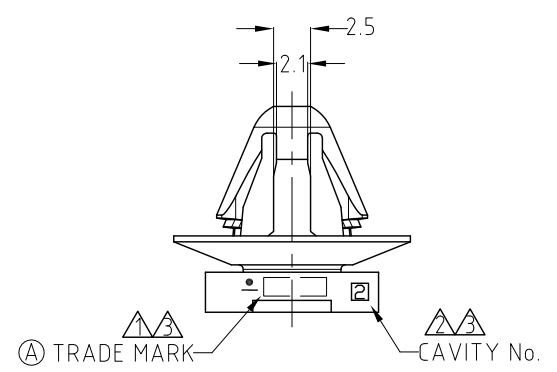
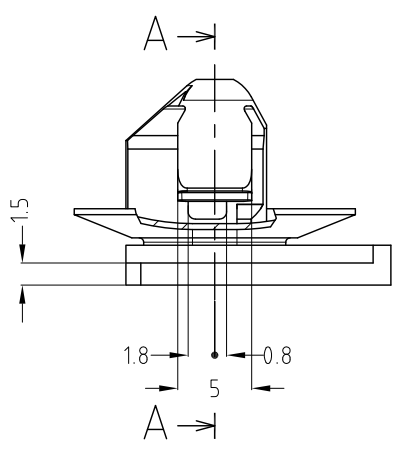
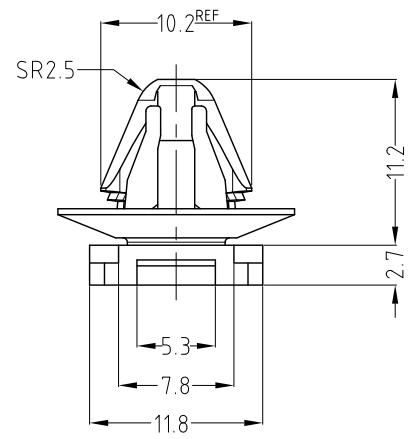
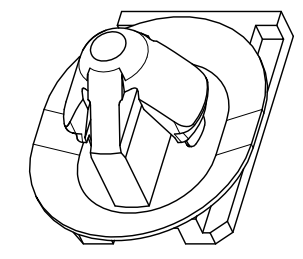
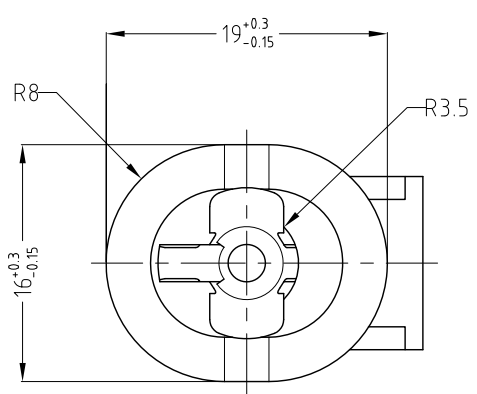
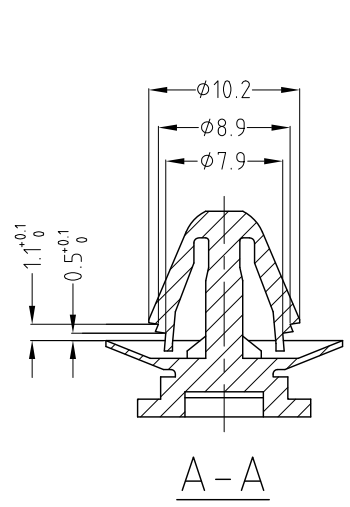


LOC	DIST	REVISIONS			
P	LTR	DESCRIPTION	DATE	DWN	APVD
DS	—				
	0	RELEASE ECN(FC00-0121-03)	22,AUG,03	JW	CS
	A	REVISED (ECR-10-025105)	08,DEC,10	JH	HG



NOTE:  
 (A) TRADE MARK : ACCORDING TO 1-15994-3  
 CAVITY MARK  
 CHARACTERS 1.5 HEIGHT AND 0.5 RADIUS INSIDE 0.5mm

PART NO.	COLOR	MATERIAL
936551-2	BLACK	↓
936551-1	NATURAL	NYRON 66

THIS DRAWING IS CONTROLLED DOCUMENT FOR AMP INCORPORATED.		DWN JH CHO		TE Connectivity	
DIMENSIONS: MM		CHK KT LIM			
TOLERANCES UNLESS OTHERWISE SPECIFIED:		APVD HG CHO		NAME	
0 <XX<10 ± 0.2		PRODUCT SPEC ---		CLIP HSG FOR .09011 MLC(Ø7 KEY HOLE)	
10<XX<30 ± 0.25		APPLICATION SPEC ---		SIZE	CAGE CODE
30<XX ± 0.3		WEIGHT ---		A3	00779
ANGLES ± 3°				DRAWING NO	936551
3rd ANGLE PROJECTION				SCALE	2 : 1
MATERIAL SEE TABLE				SHEET	1 OF 1
				REV	A

单击下面可查看定价，库存，交付和生命周期等信息

[>>TE Connectivity\(泰科\)](#)