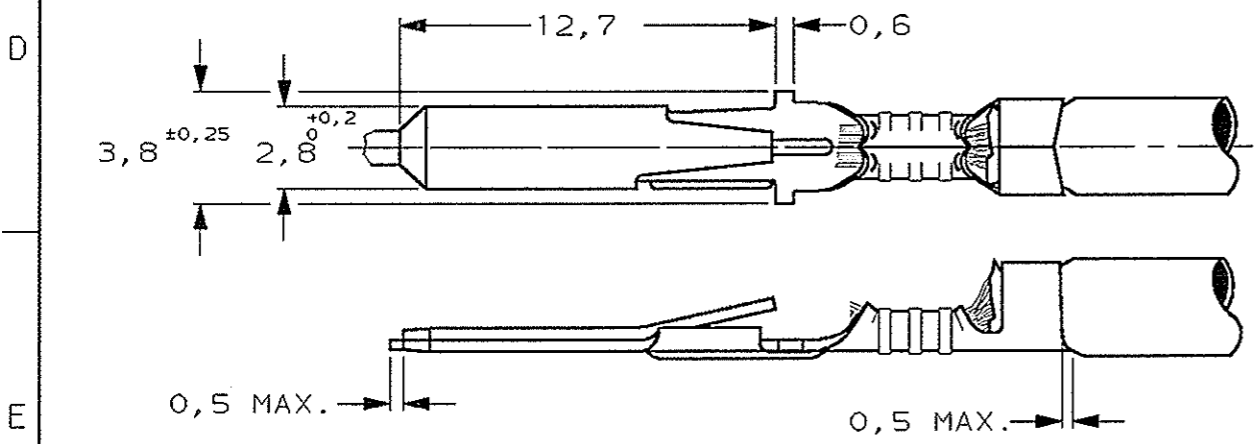
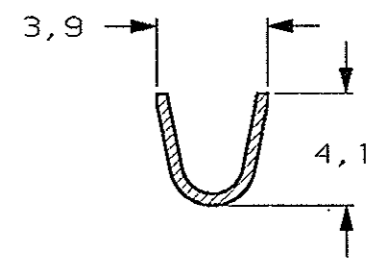
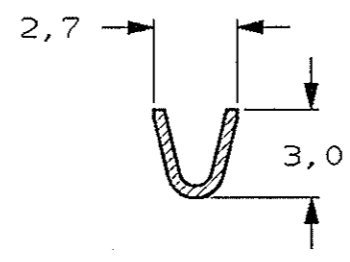


SECTION A-A

SECTION B-B



OBSOLETE

OTTONE PRE STAGNATO (PRE TIN PLATED)	OTTONE (BRASS)	160887-4	K
NUDO (UNPLATED)	OTTONE (BRASS)	160887-3	J
PRE STAGNATO (PRE-TIN PLATED)	BRONZO FOSF. (PHOS. BRONZE)	160887-2	L
NUDO (UNPLATED)	BRONZO FOSF. (PHOS. BRONZE)	160887-1	J
FINITURA / COLORE (FINISH / COLOUR)	MATERIALE (MATERIAL)	NUMERO (P/N)	REV

CUSTOMER DWG. FOR REFERENCE ONLY DISEGNO PER CLIENTE SOLO PER RIFERIMENTO

THIS DRAWING IS UNPUBLISHED RELEASE FOR PUBLICATION 19
© COPYRIGHT 19 BY TE INCORPORATED, HARRISBURG, PA. ALL INTERNATIONAL RIGHT RESERVED. TE PRODUCTS MAY BE COVERED BY U.S. AND FOREIGN PATENT AND/OR PATENT PENDING

TOLLERANZE: SE NON DIVERSAMENTE SPECIFICATO
(TOLERANCES, UNLESS OTHERWISE SPECIFIED)

DIAH. ISOLANTE (INS. DIA. RANGE)	RANGO FILO (WIRE RANGE)	mm2	SCALA (SCALE)
1.4-2.3	0.5-1.5		4:1

ANGOLI (ANGLES) ± 0.3
± 2°



L1	ECR-10-022530	KK	02FEB11
L	ECR-06-024596	HY	25 MAY 2009
K	REVISED FOR ECR06-2481	A.V.	15 JUN 2006
J	REVISED & REDRAWN E100-0128-03	HY	25 JUL 2003
REV. (REV.)	REVISIONI (REVISION RECORD)	DIS. (DR.)	DATA (DATE)

DIS. H. YAALI (DR.) 16 JULY 2003
CONT. C. TARTARI (CHK) -

DESCRIZIONE (DESCRIPTION) FASTIN-FASTON* Connector, 2.8 mm series RECEPTACLE CONTACT
LOC. (LOC.) I A3 SIZE (SIZE) C-160887 NUMERO (DWG NO) L1 REV. (REV.) 1 FOGLIO (SHEET) 1 DI (OF) 1

1) STATO DO FORNITURA (SUPPLY CONDITION)



SENDO DI USCITA DEL TERMINALE DALLA BOBINA (DIRECTION OFF TOP OF REEL)

2) SPECIFICA DI PRODOTTO 108-20020. (PRODUCT SPEC. 108-20020).
SPECIFICA DI AGRAFFATURA 114-20021. (APPLICATION SPEC. 114-20021).

单击下面可查看定价，库存，交付和生命周期等信息

[>>TE Connectivity\(泰科\)](#)