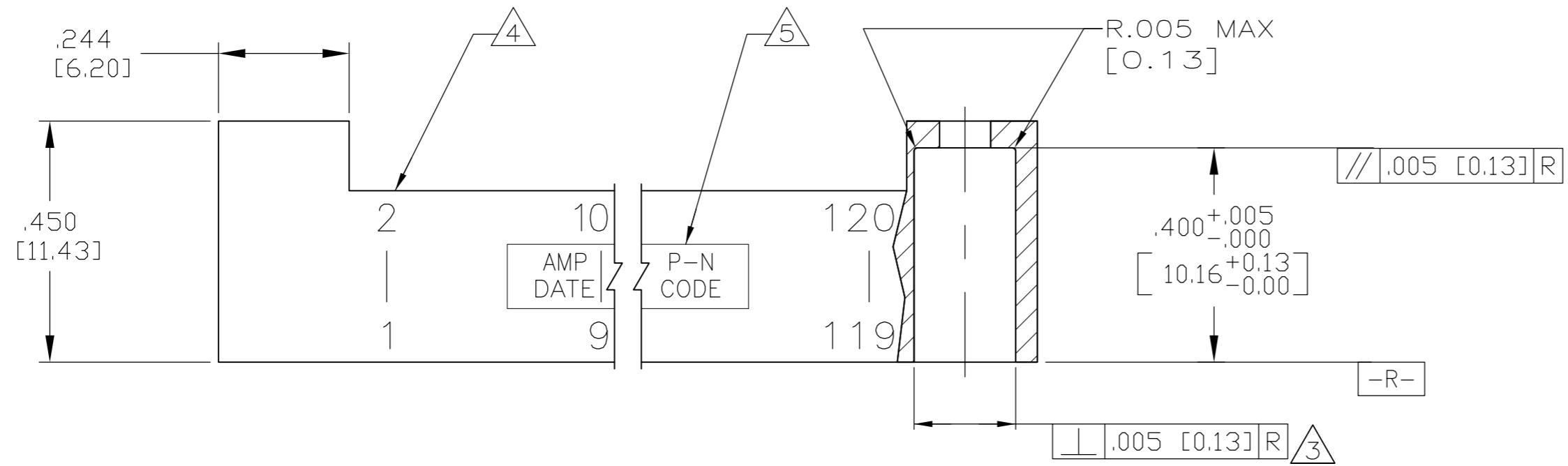
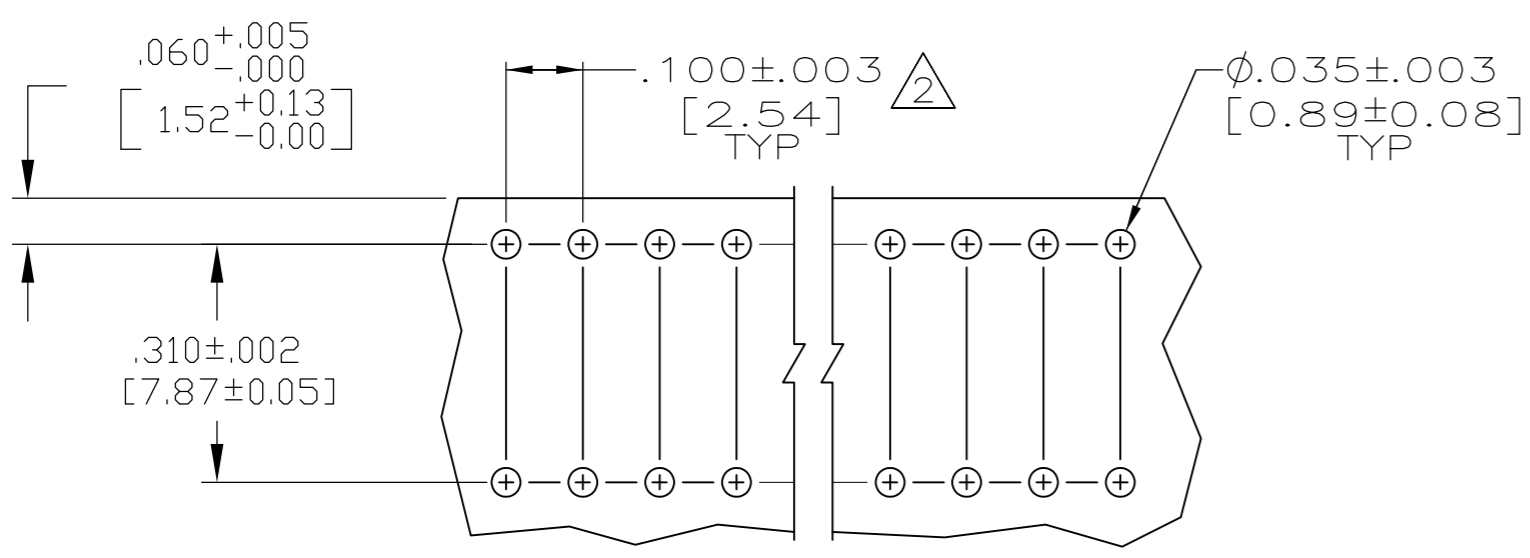
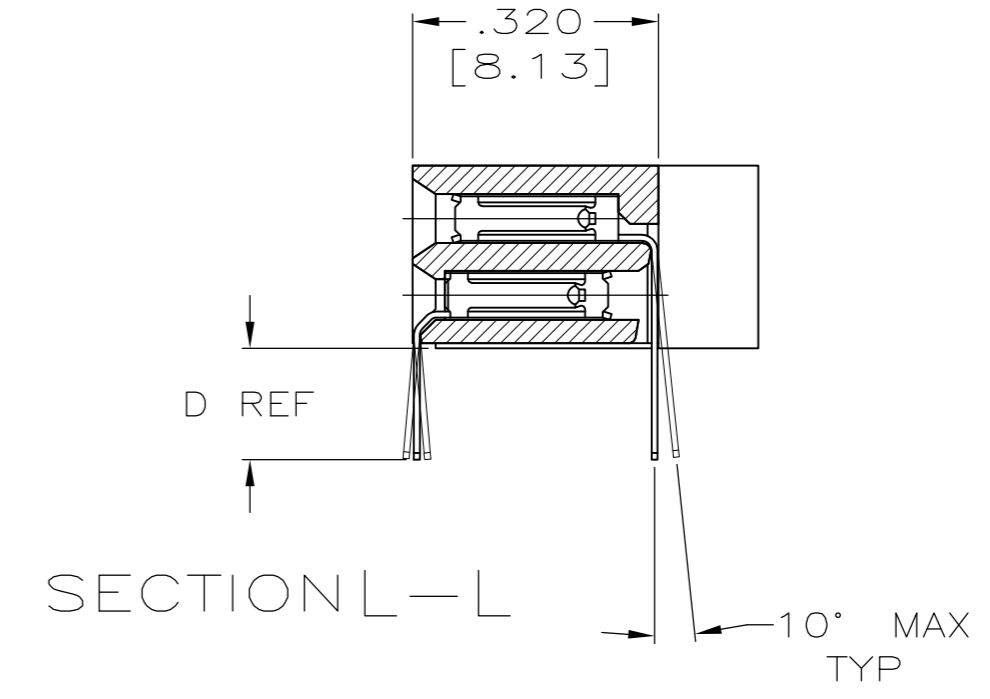
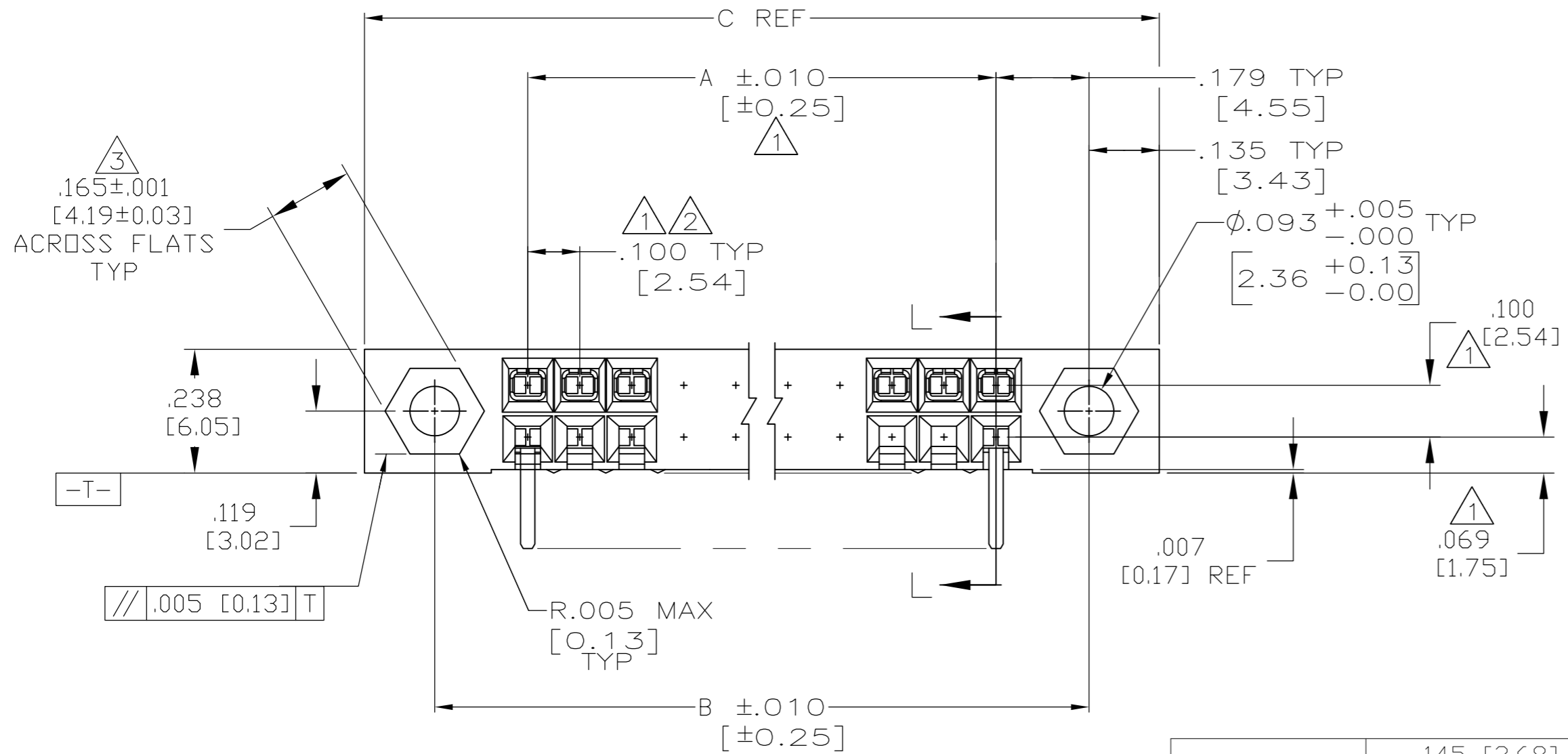


THIS DRAWING IS UNPUBLISHED. RELEASED FOR PUBLICATION
 © COPYRIGHT - By - ALL RIGHTS RESERVED.

LOC		DIST		REVISIONS			
P	LTR	DATE	DWN	APVD			
DF	Z0						
M		REVISD PER ECO-15-016067	27NOV15	RS	CT		



- ① THESE DIMENSIONS APPLY TO CAVITY CENTERLINES ONLY, NOT TO CONTACT LOCATIONS.
- ② TOLERANCE NON-CUMULATIVE.
- ③ MEASURED AT BOTTOM OF HOLE WITH MAX DRAFT ANGLE.
- ④ CAVITY IDENT. MARKED FIRST, LAST AND EVERY FIFTH CAVITY OF EACH ROW, AS SHOWN, WITH .062±.015 [1.57±0.38] HIGH CHARACTERS.
- ⑤ AMP, PART NO. AND DATE CODE MARKED .062±.015 [1.57±0.38] HIGH CHARACTERS IN APPROXIMATE AREA SHOWN.
- ⑥ HOUSING MATERIAL: POLYPHENYLENE SULFIDE, 40% GLASS. CONTACTS: PHOSPHORUS BRONZE
- 7. MARK "CSA" LOGO ON PART.
- 8. GROUP A & B SAMPLE TESTING PER MIL-C-55302.
- ③ CONTACTS FINISH: GOLD FLASH OVER .000050 [0.00127] NICKEL ENTIRE RECEPTACLE, .000050 [0.00127] GOLD IN CONTACT AREA ONLY.



RECOMMENDED HOLE LAYOUT

-	.145 [3.68]	7.528 [191.21]	7.258 [184.35]	6.900 [175.26]	140	102953-7
-	.115 [2.92]	3.528 [89.61]	3.258 [82.75]	2.900 [73.66]	60	102953-6
-	.115 [2.92]	9.028 [229.31]	8.758 [222.45]	8.400 [213.36]	170	102953-5
-	.115 [2.92]	7.528 [191.21]	7.258 [184.35]	6.900 [175.26]	140	102953-4
OBSOLETE	-	-	-	-	-	102953-3
-	.115 [2.92]	5.628 [142.95]	5.358 [136.09]	5.000 [127.00]	102	102953-2
-	.115 [2.92]	6.528 [165.81]	6.258 [158.95]	5.900 [149.86]	120	102953-1
REMARKS	DIM D	DIM C	DIM B	DIM A	NO OF POSN	PART NUMBER

THIS DRAWING IS A CONTROLLED DOCUMENT.

DIMENSIONS: INCHES	TOLERANCES UNLESS OTHERWISE SPECIFIED:	DWN: C.C.THOMAS 10-15-97	TE Connectivity
	0 PLC ± -	CHK: G. ALTEMOSE 10-15-97	
	1 PLC ± -	APVD: G. ALTEMOSE 10-15-97	
	2 PLC ± -	PRODUCT SPEC	
MATERIAL	FINISH	APPLY: G. ALTEMOSE 10-15-97	NAME: ASSEMBLY, RECEPTACLE, MOD II, .100 X .100
		APPLY: -	SIZE: A2
		APPLY: -	CAGE CODE: 00779
		APPLY: -	DRAWING NO: 102953
		APPLY: -	RESTRICTED TO: -
		APPLY: -	SCALE: 4:1
		APPLY: -	SHEET: 1 of 1
		APPLY: -	REV: M

单击下面可查看定价，库存，交付和生命周期等信息

[>>TE Connectivity\(泰科\)](#)