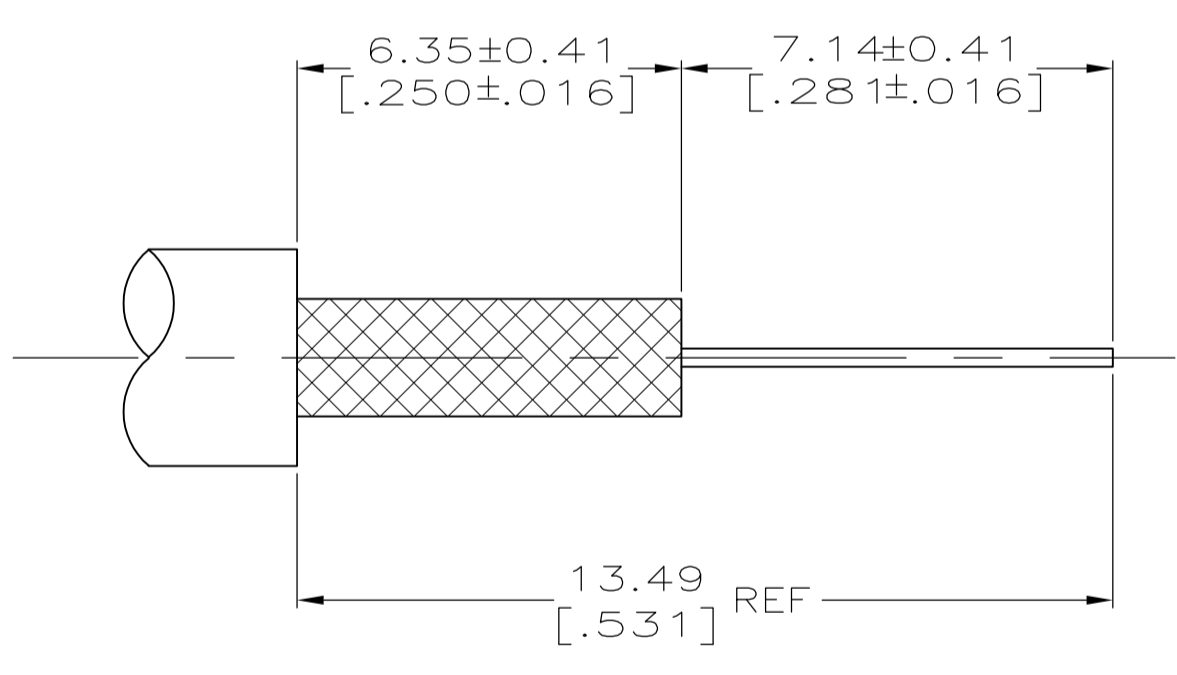
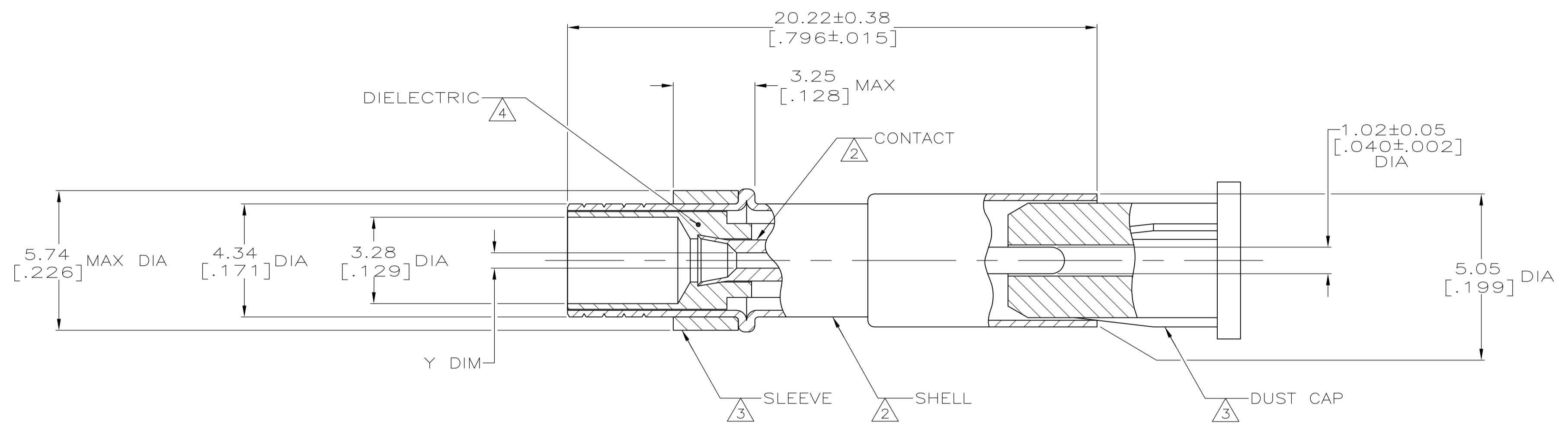


LOC		DIST		REVISIONS			
REV	BY	DATE	DESCRIPTION	DATE	BY	CHK	APPV
AJ	16						
BL1			REVISED PER ECO-11-005030	11MAR11	RK	HMR	

1. SEE IS 1770
2. BRASS PER QQ-B-626
3. NYLON PER ASTM-D-4066, NATURAL.
4. POLYMETHYLPENTENE GENERAL PURPOSE.
5. .000030 MINIMUM GOLD PER MIL-G-45204.
6. .000100 MINIMUM GOLD PER MIL-G-45204.



RECOMMENDED STRIP LENGTH

REV	DESCRIPTION	DATE	BY	CHK	APPV
6	OBSOLETE				
5					
4					
3					
2					
1					

CONTACT PLATING	SHELL PLATING	"Y" DIM	PART NUMBER

THIS DRAWING IS A CONTROLLED DOCUMENT.		DWG: WERNER 8-9-94	TE Connectivity	
DIMENSIONS: mm [INCHES]		CHK: J. McLEOD 8-9-94		
TOLERANCES UNLESS OTHERWISE SPECIFIED:		APPV: J. McLEOD 8-9-94	NAME: SOCKET, MINIATURE SERIES	
0. PLC	± -	PRODUCT SPEC	APPLICATION SPEC	
1. PLC	± -	APPLICATION SPEC	SIZE: A1	
2. PLC	± 0.20 [.008]	WEIGHT: -	CAGE CODE: 00779	
3. PLC	± -	RESTRICTED TO: -	DRAWING NO: 201146	
4. PLC	± -	CUSTOMER DRAWING	SCALE: 8:1	
ANGLES	± -		SHEET: 1 of 1	
FINISH			REV: BL1	

单击下面可查看定价，库存，交付和生命周期等信息

[>>TE Connectivity\(泰科\)](#)