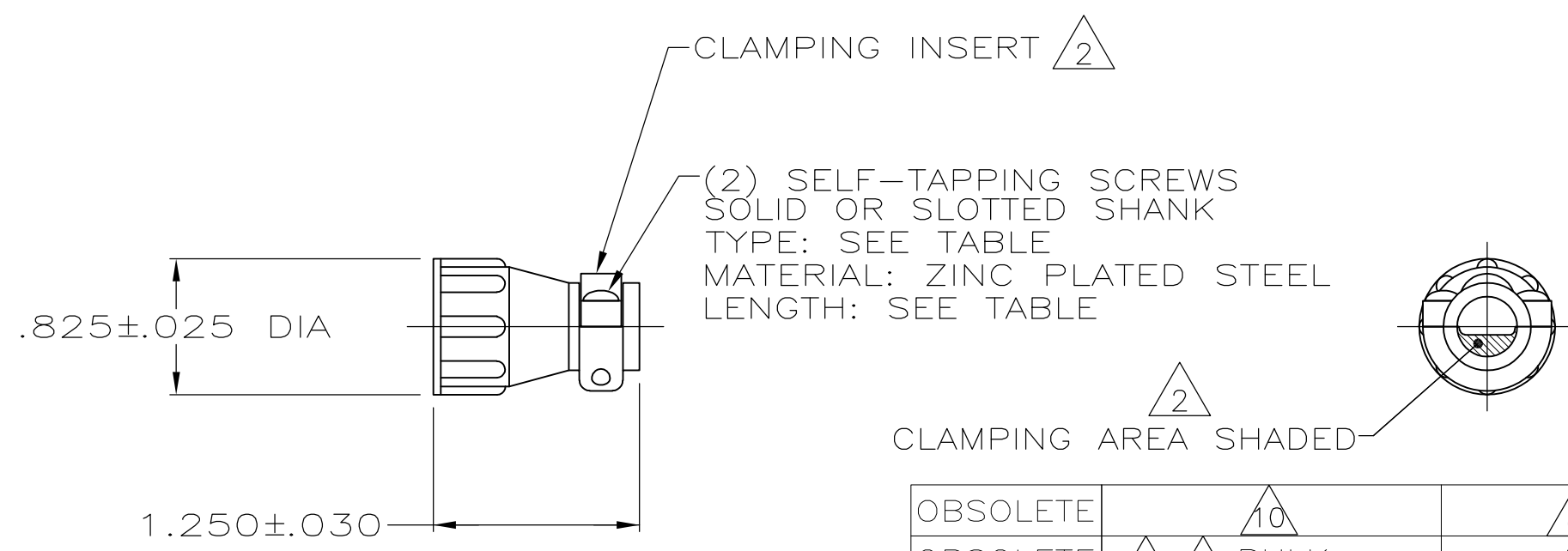


THIS DRAWING IS UNPUBLISHED. RELEASED FOR PUBLICATION
 © COPYRIGHT - By - ALL RIGHTS RESERVED.

P	LTR	DESCRIPTION	DATE	DWN	APVD
	V1	REVISED PER ECO-15-002073	06MAY2015	NK	MZ
	W	REVISED PER ECR-16-017870	20APR2017	BDA	MZ



- 1 PARTS PACKAGED UNASSEMBLED.
- 2 CABLE CLAMPING AREA ADJUSTABLE FROM .004 TO .055 SQ IN BY REVERSING CLAMPING INSERTS.
- 3 .329 MAXIMUM CABLE OUTSIDE DIAMETER.
- 4 BULK PACKAGED KITS TO BE ORDERED IN MULTIPLES OF 800 ONLY.
- 5 OBSOLETE PART NUMBER.
- 6 STAINLESS STEEL (NON MAGNATIC).
- 7 CABLE CLAMP WITH NON-MAGNETIC STAINLESS STEEL SCREWS.
- 8 ZINC PLATED STEEL, NON-HEXAVALENT CHROMATE.

OBSOLETE	10		8	.50 ⁺ _{-.05}	#5-20	2-206062-0
OBSOLETE	7 4	BULK	6	.50 ⁺ _{-.05}	#5-20	1-206062-9
	4	BULK	8	.50 ⁺ _{-.05}	#5-20	1-206062-7
		INDIVIDUAL	8	.38 ⁺ _{-.05}	#5-20	1-206062-6
	4	BULK	8	.38 ⁺ _{-.05}	#5-20	1-206062-5
		INDIVIDUAL	8	.50 ⁺ _{-.05}	#5-20	1-206062-4
		INDIVIDUAL	8	.62 ⁺ _{-.05}	#5-20	1-206062-3
	7	INDIVIDUAL	6	.50 ⁺ _{-.05}	#5-20	1-206062-2
SUPERSEDED BY 1-206062-3		INDIVIDUAL	8	.62 ⁺ _{-.05}	#5-20	1-206062-1
	9	OBSOLETE	8	.38 ⁺ _{-.05}	#5-20	1-206062-0
AMP BRAZIL USE ONLY		INDIVIDUAL		12mm ⁺ _{-.8}	3mm-20	5 206062-9
AMP BRAZIL USE ONLY		INDIVIDUAL		10mm ⁺ _{-.8}	3mm-20	5 206062-8
SUPERSEDED BY 1-206062-7	4	BULK	8	.50 ⁺ _{-.05}	#5-20	206062-4
SUPERSEDED BY 1-206062-4		INDIVIDUAL	8	.50 ⁺ _{-.05}	#5-20	206062-3
SUPERSEDED BY 1-206062-5	4	BULK	8	.38 ⁺ _{-.05}	#5-20	206062-2
SUPERSEDED BY 1-206062-6		INDIVIDUAL	8	.38 ⁺ _{-.05}	#5-20	206062-1

~~9~~ OBSOLETE PARTS: OBSOLETE CIS STREAMLINING PER D.RENAUD/D.SINISI
~~10~~ SPECIAL PACKAGING CONSISTING OF 1 KIT PER INDIVIDUAL BAG, 20 INDIVIDUAL BAGS PER LARGER BAG, 5 LARGER BAGS PER SHIPPER BOX.

PACKAGING	SCREW FINISH	SCREW LENGTH	SCREW TYPE	PART NUMBER
THIS DRAWING IS A CONTROLLED DOCUMENT.				
DIMENSIONS: INCHES		TOLERANCES UNLESS OTHERWISE SPECIFIED:		
MATERIAL: THERMOPLASTIC		FINISH: -		
DWN A GRAFF 4/29/91		CHK W.G.LENKER 7-22-92		TE Connectivity CABLE CLAMP KIT, STANDARD, SHELL SIZE 11, CPC
APVD -		PRODUCT SPEC -		
APPLICATION SPEC -		WEIGHT -		
SIZE A3		CAGE CODE 00779	DRAWING NO C-206062	RESTRICTED TO -
CUSTOMER DRAWING			SCALE NTS	SHEET 1 OF 1 REV W

单击下面可查看定价，库存，交付和生命周期等信息

[>>TE Connectivity\(泰科\)](#)