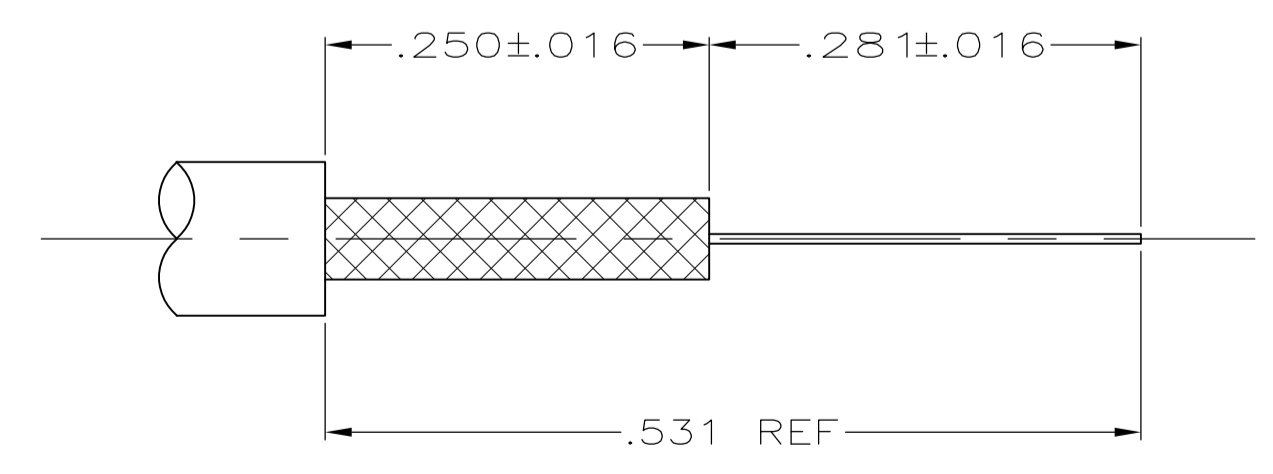
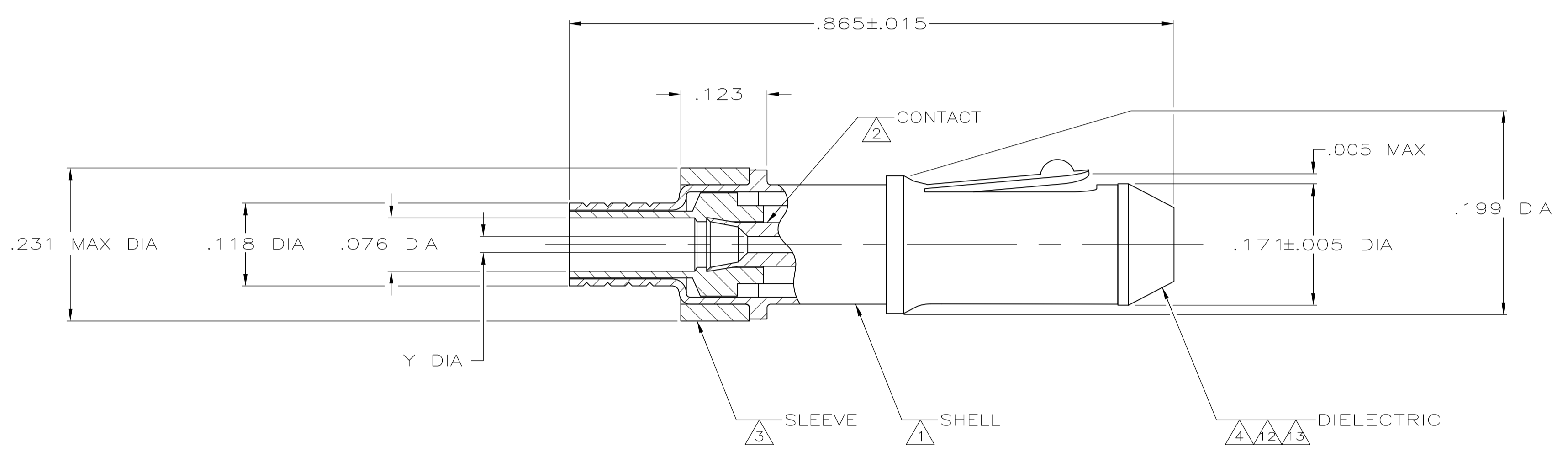


LOC	DIST	REVISIONS			
REV	DATE	DESCRIPTION	DATE	BY	APPV
AJ	16				
AZ1		REVISED PER ECO-11-005030	11MAR11	RK	HMR

- 1 BRASS PER QQ-B-626.
  - 2 BERYLLIUM COPPER PER ASTM-B-196
  - 3 NYLON PER ASTM-D-4066, BLACK
  - 4 POLYMETHYLPENTENE GENERAL PURPOSE, NATURAL
  - 5 .000030 MINIMUM GOLD PER MIL-G-45204.
  - 6 .000050 MINIMUM GOLD PER MIL-G-45204.
  - 7 .000100 MINIMUM GOLD PER MIL-G-45204.
  - 8 RG-174/U, RG-179A/U, RG-187/U, AND 21-598.
  - 9 SHIELDED CABLE #26=NAS-702 CLASS A & C, AND MIL-W-16878 TYPES E & EE, SHIELDED CABLE #24=NAS-702 CLASS A & C, AND MIL-W-16878 TYPES E & EE, SHIELDED CABLE #22=NAS-702 CLASS C, AND MIL-W-16878 TYPE E, AND MIL-C-7078A TYPE I NUMBER 1 DIELECTRIC .068 O.D.
10. SEE IS 408-1770
- 12 NYLON PER ASTM-D-4066, NATURAL
  - 13 DIELECTRIC MATERIAL: VALOX 325 WHITE



VIEW D  
RECOMMENDED STRIP LENGTH

13	5	5	.030 OUNCES	-	-	.032±.003	-	-	-	2-201143-5
13	5	5	.030 OUNCES	-	-	.032±.003	-	-	-	2-201143-4
	7	7	.030 OUNCES	-	-	.032±.003	-	-	-	201143-7
	5	5	.030 OUNCES	-	-	.032±.003	-	-	-	201143-5
	5	5	.030 OUNCES	-	-	.042±.003	-	-	-	201143-3
	5	5	.030 OUNCES	-	-	.023±.003	-	-	-	201143-1
			CONTACT PLATING							
			SHELL PLATING							
			WEIGHT							
			CABLE OR WIRE SIZE							
			CRIMP TOOL							
			Y							
			3 FERRULE							
			QTY=1							
			2 SPRING RETENTION							
			QTY=1							
			1 PIN ASSY							
			QTY=1							
			PART NUMBER							

THIS DRAWING IS A CONTROLLED DOCUMENT.

DIMENSIONS: INCHES	TOLERANCES UNLESS OTHERWISE SPECIFIED:	DIN J. LIPPERT 08 JAN 90	 TE Connectivity
0 PLC ± -	1 PLC ± -	23 FEB 90	
2 PLC ± .008	3 PLC ± -	23 FEB 90	NAME: PIN, MINIATURE SERIES
4 PLC ± -	ANGLES ± -		PRODUCT SPEC: 108-12021
MATERIAL	FINISH	SIZE: A1	RESTRICTED TO: -
		WEIGHT: SEE TABLE	SCALE: 8:1
		CUSTOMER DRAWING	SHEET 1 OF 1

单击下面可查看定价，库存，交付和生命周期等信息

[>>TE Connectivity\(泰科\)](#)