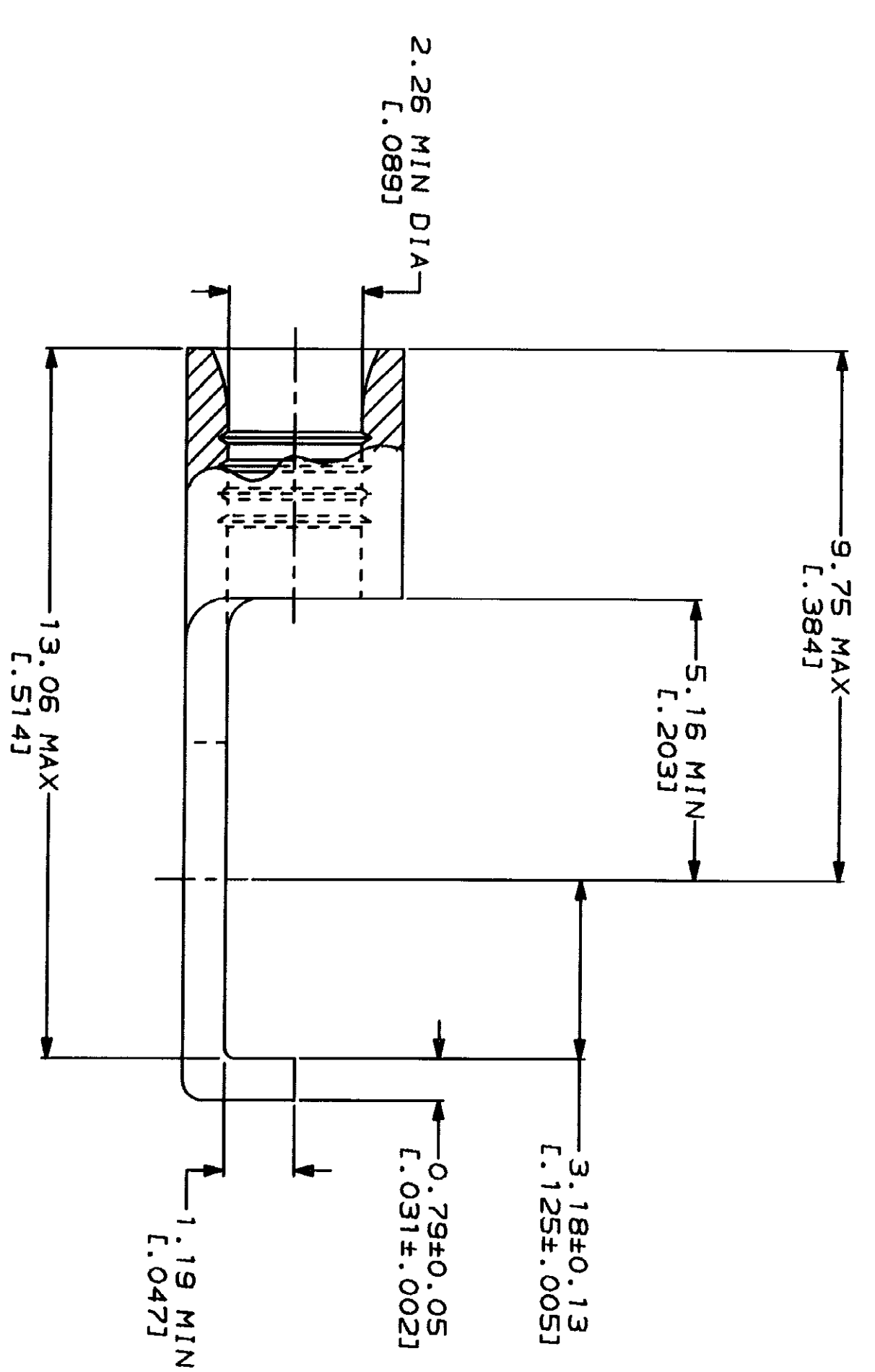
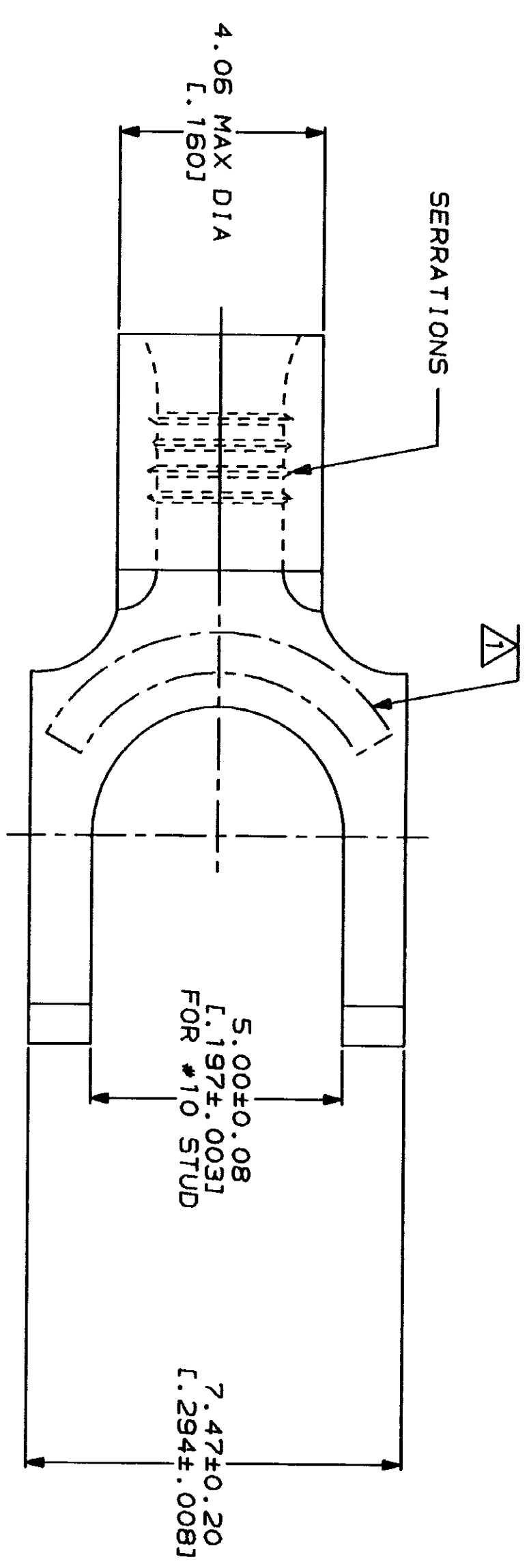


DRAWING MADE IN THIRD ANGLE PROJECTION
 THIS DRAWING IS UNPUBLISHED.
 © COPYRIGHT 1984 BY AMP INCORPORATED. ALL INTERNATIONAL RIGHTS RESERVED.

RELEASED FOR PUBLICATION
 BY AMP INCORPORATED. ALL INTERNATIONAL RIGHTS RESERVED.

LOC	DIST	ZONE	LTR	REVISIONS	DESCRIPTION	DATE	APPD
G	14			A	REVISED PER 0720-0230-93	2/28/94	DAF

METRIC
 DIMENSIONS LISTED IN MM [INCHES]



AMP WIRE RANGE 16-14 AWG STRANDED	UL E13288 Listed
LR7189 Certified	MILITARY P/N AND CLASS
NOT CERTIFIED	NOT APPLICABLE

△ STAMP AMP 16-14* APPROX AS SHOWN

AMP INCORPORATED
 CUSTOMER SERVICE SYSTEMS

MAX RECOMMENDED OPERATING
 TEMPERATURE:
 170°C MAX

DO NOT SCALE PRINT.
 UNLESS SPECIFIED
 DIMENSIONS IN MILLIMETERS
 TOLERANCES IN MILLIMETERS
 1 PLC DEC ± .1
 2 PLC DEC ± .05
 3 PLC DEC ± .02

DR 3-3-93
 TA BRINKMAN
 CHK 3-3-93
 DA PATTERSON
 APPD 3-3-93
 DE MILLER
 APPD 3-3-93
 JL NECKLEY
 PRODUCT SPEC

AMP
 AMP Incorporated
 Harrisburg, PA 17105-3608

FOR ADDITIONAL
 PRODUCT INFORMATION OR
 COPIES OF DRAWINGS
 AND TECHNICAL DOCUMENTS
 1-800-522-6752

VOLTAGE RATING:
 NOT APPLICABLE

FINISH
 TIN PLATE
 0.00254 [L.000100] MIN
 THK PER MIL-T-10727

NAME
 TERMINAL, FLANGED
 SPADE, BUDGET

320854
 PART NO

FOR APPLICATION
 TOOLING INFORMATION
 1-800-722-1111

WIRE CROSS SECTIONAL AREA RANGE:
 1.04-2.62mm² [2.050-5.180] CIR MILS
 STRANDED

APPLICATION SPEC

SIZE
 CAGE CODE
 00779

SCALE 10:1
 SHEET 1 OF 1

AMP 16-14-8 REV 3-93
 28-FEB-94 10:57:47 0026453 /f1/leg/dep/1123/dwg/123/u_bod/leg/u_16-14

CUSTOMER DRAWING

单击下面可查看定价，库存，交付和生命周期等信息

[>>TE Connectivity\(泰科\)](#)