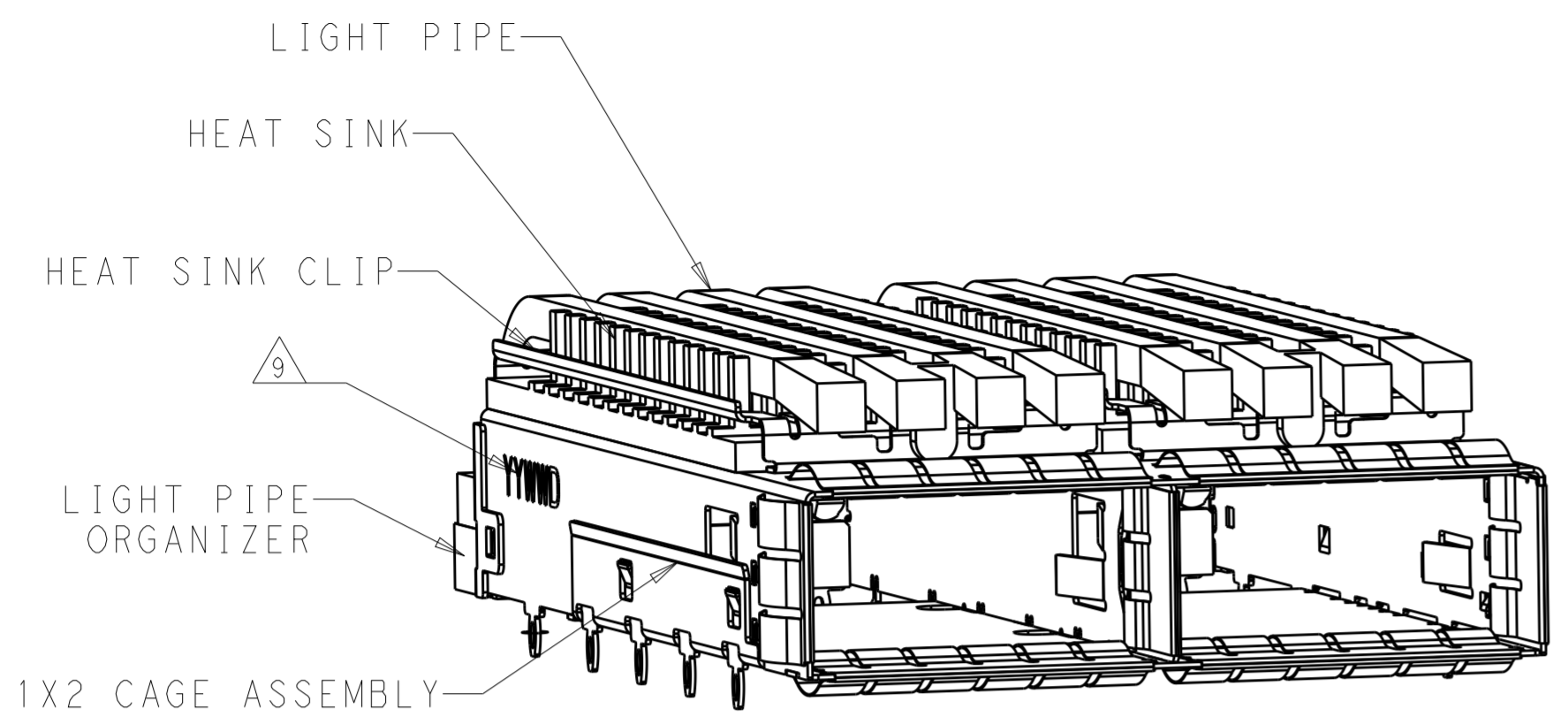


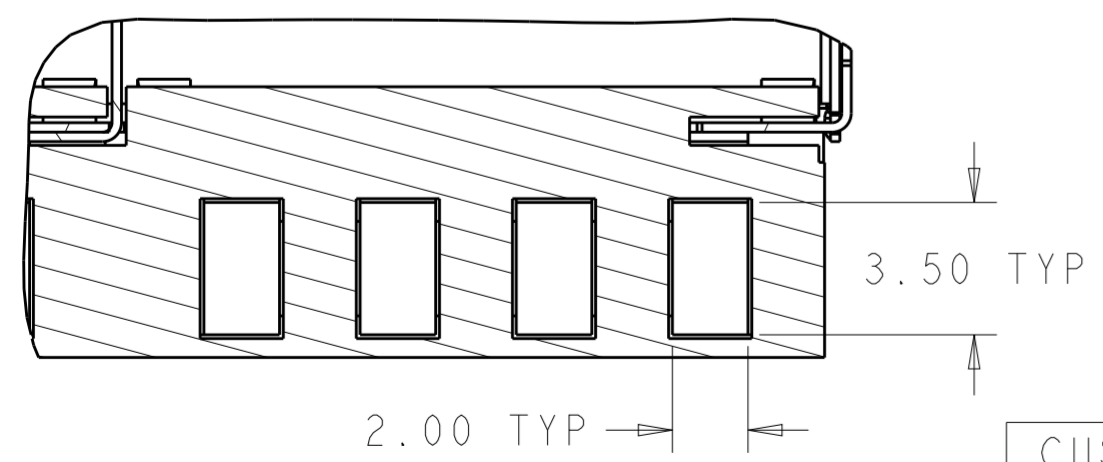
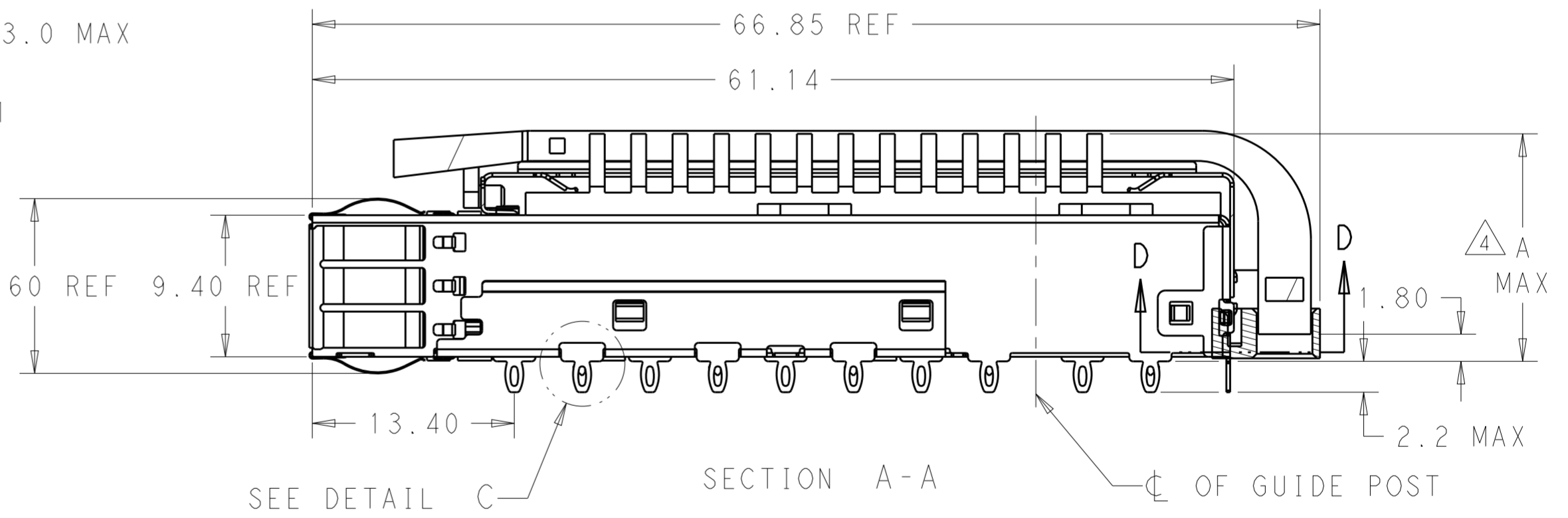
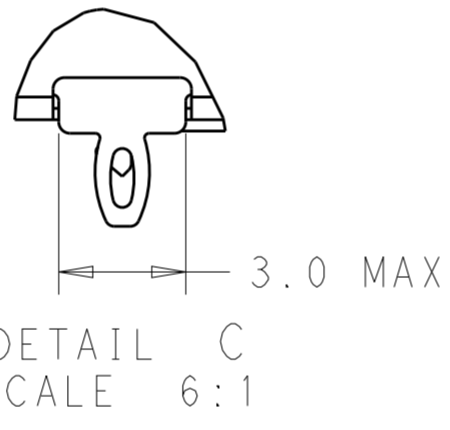
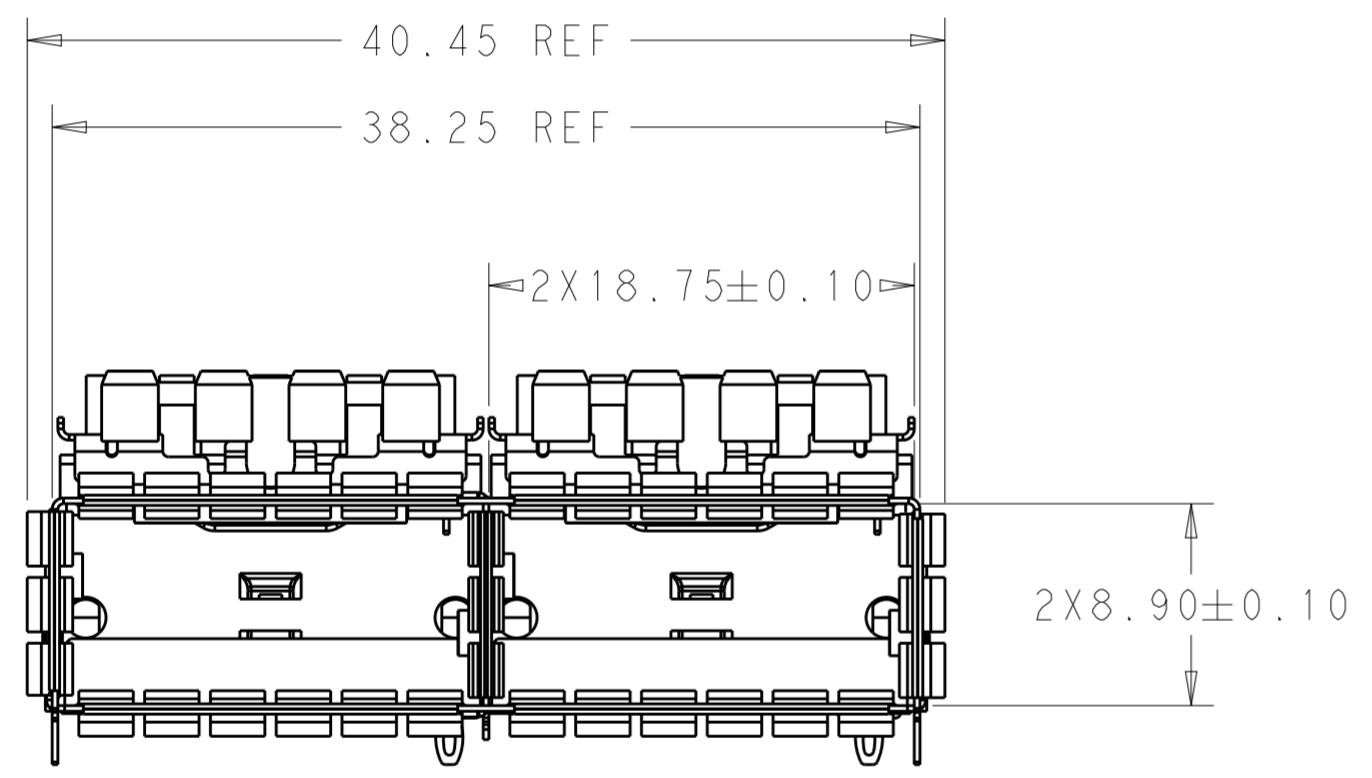
THIS DRAWING IS UNPUBLISHED. RELEASED FOR PUBLICATION 20
 © COPYRIGHT 20 BY - ALL RIGHTS RESERVED.

LOC	DIST	REVISIONS					
GP	00	P	LTR	DESCRIPTION	DATE	DWN	APVD
		A		RELEASE	01NOV2016	JY	SH
		B		REVISED PER ECO-16-017012	18NOV2016	JY	SH



2170826-1 AS SHOWN
SCALE 3:1

- COMPONENTS
 CAGE ASSEMBLY: NICKEL-SILVER ALLOY
 HEAT SINK: ALUMINUM/BLACK ANODIZE
 HEAT SINK CLIP: STAINLESS STEEL
 EMI SPRING: COPPER ALLOY/NICKEL PLATE
 LIGHT PIPE: CLEAR POLYCARBONATE
- REFERENCE APPLICATION SPECIFICATION 114-32023 FOR RECOMMENDED DRILL HOLE DIAMETER AND PLATING THICKNESS
- DATUM AND BASIC DIMENSION ESTABLISHED BY CUSTOMER
- DIMENSION APPLIES WITH MODULE INSERTED IN CAGE
- HEAT SINKS, HEAT SINK CLIPS AND LIGHT PIPES ARE SHIPPED ASSEMBLED ON CAGE
- MINIMUM PC BOARD THICKNESS: SINGLE SIDED: 1.57 MIN
DOUBLE SIDED: 2.20 MIN
- DATUM -A- IS TOP SURFACE OF THE HOST BOARD.
- MATES WITH QSFP28 MSA COMPATIBLE TRANSCEIVER.
- DATE CODE (YYWWD) MARKED APPROXIMATELY AS SHOWN.



SURFACE OF LIGHT INPUT
SECTION D-D
SCALE 5:1

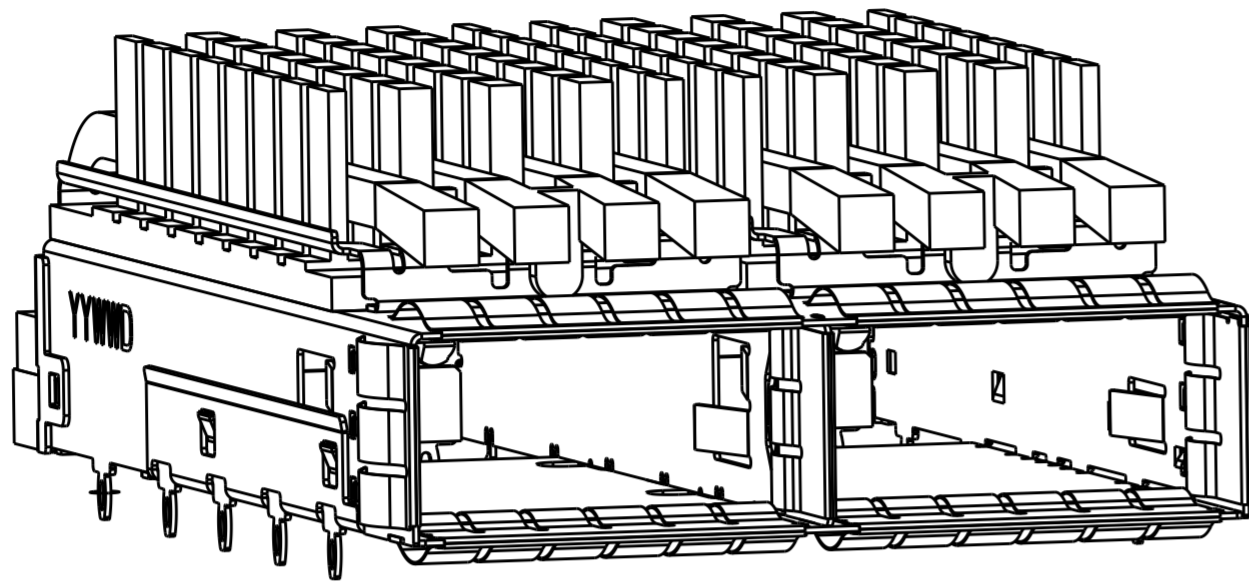
CUSTOMERIZED HEAT SINK	Y	19.5	2170826-6
CUSTOMERIZED HEAT SINK	Y	14.9	2170826-5
CUSTOMERIZED HEAT SINK	N	20.0	2170826-4
CUSTOMERIZED HEAT SINK	Y	20.0	2170826-3
SAN HEAT SINK	N	16.0	2170826-2
SAN HEAT SINK	Y	16.0	2170826-1
HEAT SINK APPLICATION	ORGANIZER	DIM A	P/N

THIS DRAWING IS A CONTROLLED DOCUMENT.

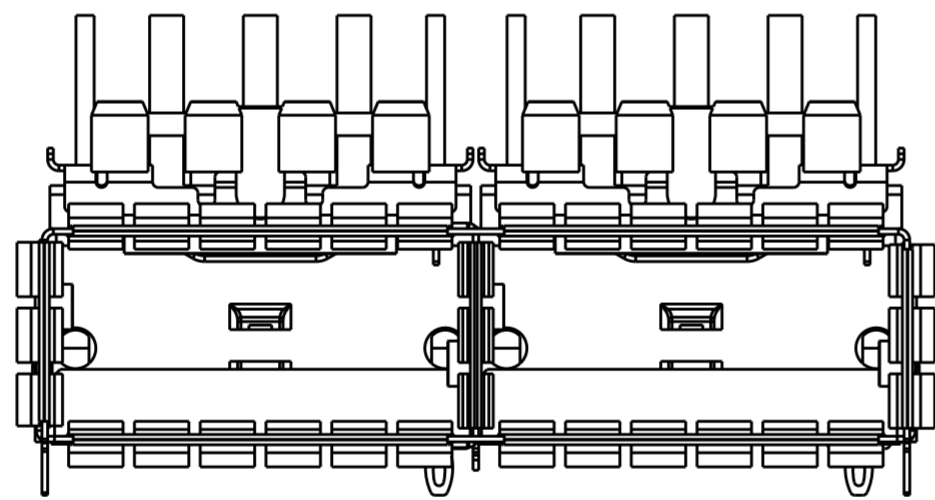
DIMENSIONS: mm	TOLERANCES UNLESS OTHERWISE SPECIFIED:	DWN BING LIU 16SEP2014	TE Connectivity
	0 PLC ±	CHK JASON YANG 16SEP2014	
	1 PLC ±0.25	APVD JASON YANG 01NOV2016	
MATERIAL	SEE NOTES	PRODUCT SPEC 108-19428	NAME RECEPTACLE CAGE ASSEMBLY WITH HEAT SINKS AND LIGHT PIPES, THRU BEZEL, 1X2, QSFP28, SPRING
SEE NOTES	SEE NOTES	APPLICATION SPEC 114-32023	SIZE CAGE CODE DRAWING NO RESTRICTED TO
		WEIGHT -	A200779 C-2170826
		CUSTOMER DRAWING	SCALE 3:1 SHEET 1 OF 10 REV B

THIS DRAWING IS UNPUBLISHED. RELEASED FOR PUBLICATION 20
 © COPYRIGHT 20 BY - ALL RIGHTS RESERVED.

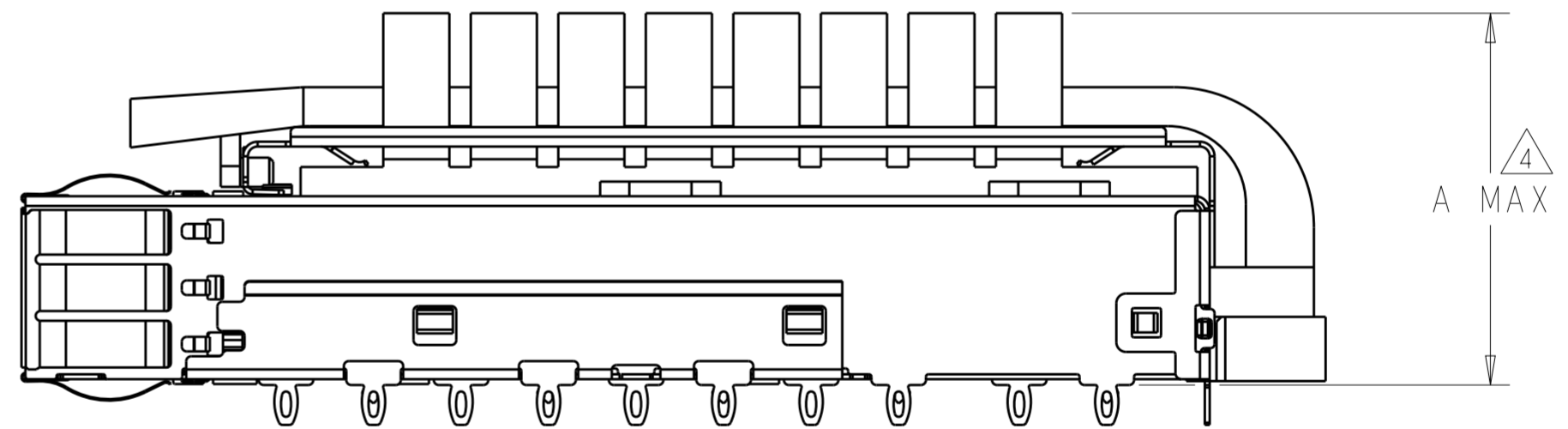
LOC		DIST		REVISIONS			
P	LTR	DESCRIPTION	DATE	DWN	APVD		
-	-	SEE SHEET 1	-	-	-		


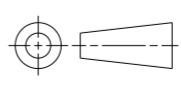


2170826-3 WITH CUSTOMIZED HEAT SINK
 SCALE 3:1



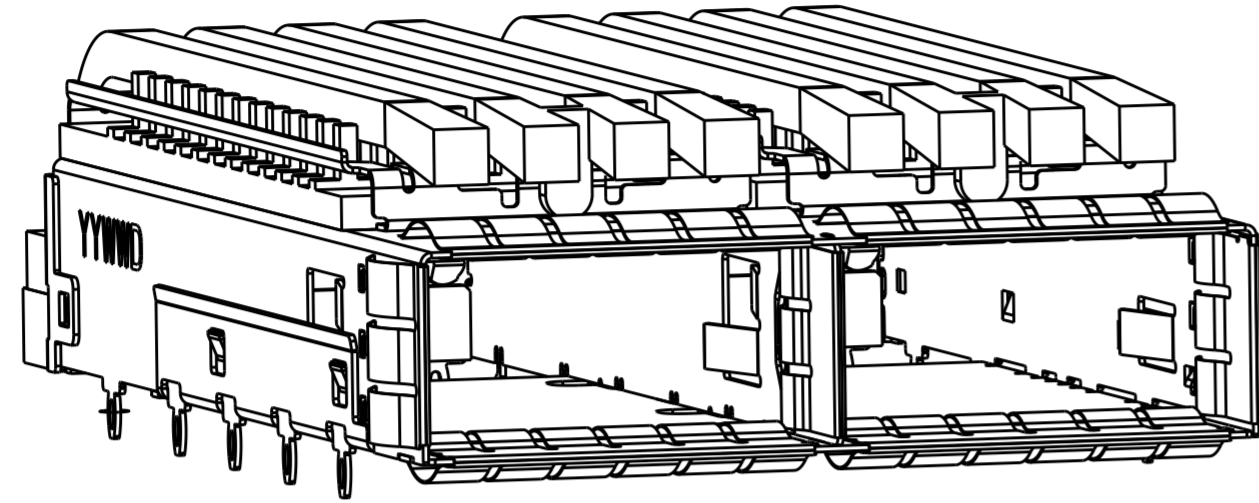
2170826-3 AS SHOWN
 UNSPECIFIED DIMENSIONS ARE SAME AS 2170826-1
 SCALE 3:1



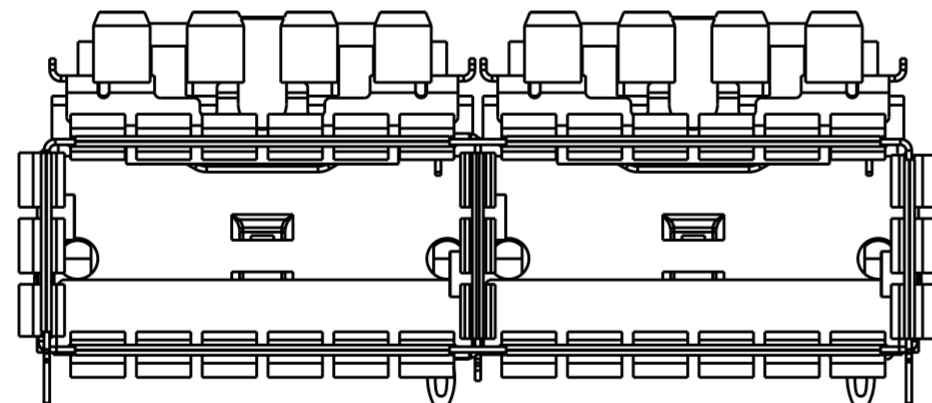
THIS DRAWING IS A CONTROLLED DOCUMENT.		DWN BING LIU 16SEP2014	 TE Connectivity	
DIMENSIONS: mm		CHK JASON YANG 16SEP2014		
TOLERANCES UNLESS OTHERWISE SPECIFIED:		APVD - 01NOV2016	NAME RECEPTACLE CAGE ASSEMBLY WITH HEAT SINKS AND LIGHT PIPES, THRU BEZEL, 1X2, QSFP28, SPRING	
		PRODUCT SPEC 108-19428	RESTRICTED TO	
MATERIAL SEE NOTES material_2		APPLICATION SPEC 114-32023	SIZE A200779	CAGE CODE C-2170826
FINISH SEE NOTES finish_spec_2		WEIGHT -	DRAWING NO C-2170826	
CUSTOMER DRAWING		SCALE 3:1		SHEET 2 OF 10

THIS DRAWING IS UNPUBLISHED. RELEASED FOR PUBLICATION 20
 © COPYRIGHT 20 BY - ALL RIGHTS RESERVED.

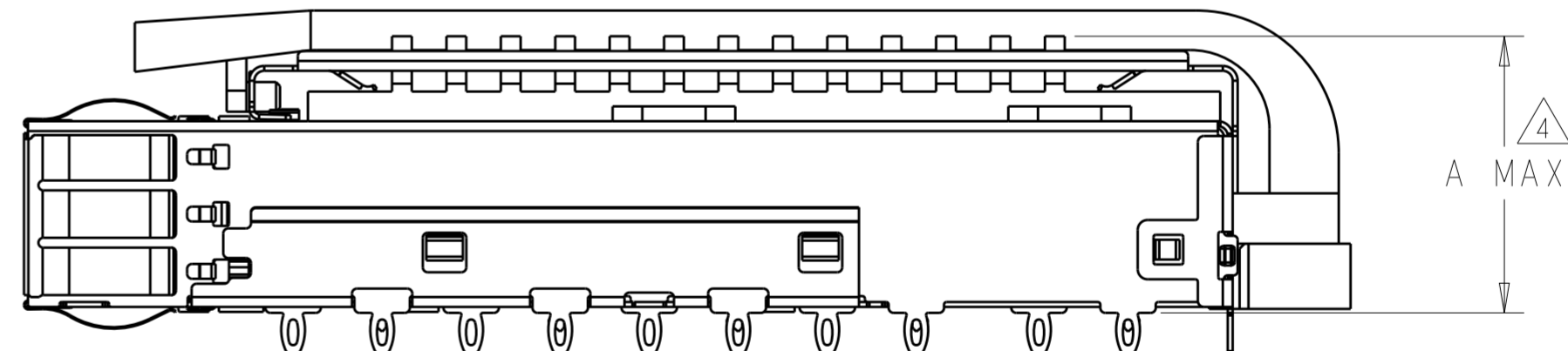
LOC		DIST		REVISIONS			
P	LTR	DESCRIPTION	DATE	DWN	APVD		
-		SEE SHEET 1	-	-	-		



2170826-5 WITH CUSTOMIZED HEAT SINK
 SCALE 3:1



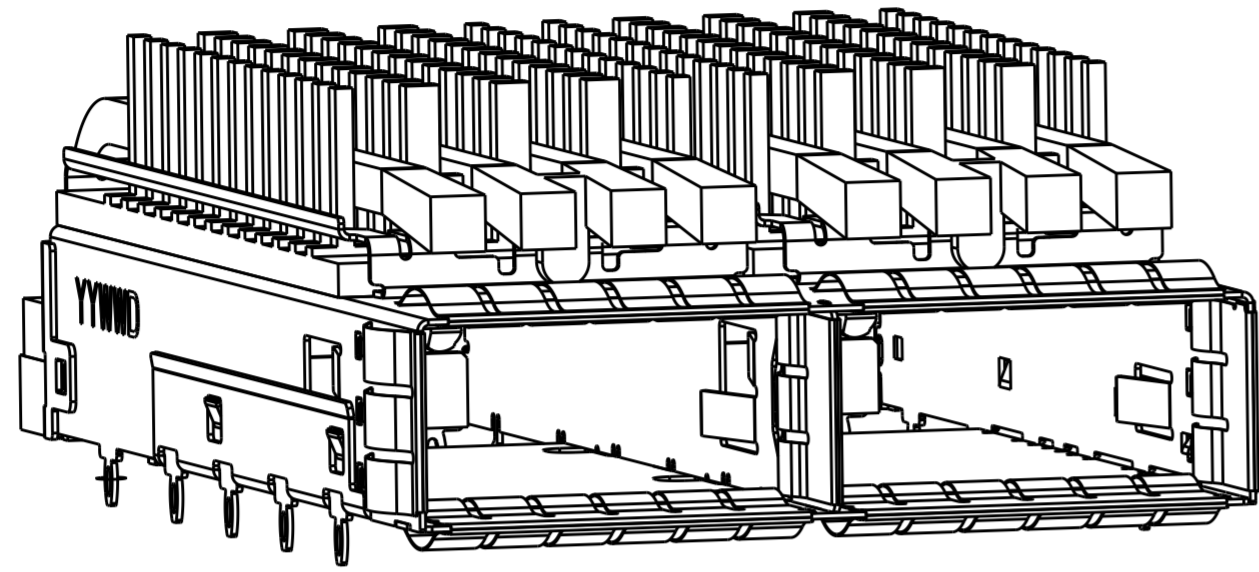
2170826-5 AS SHOWN
 UNSPECIFIED DIMENSIONS ARE SAME AS 2170826-1
 SCALE 3:1



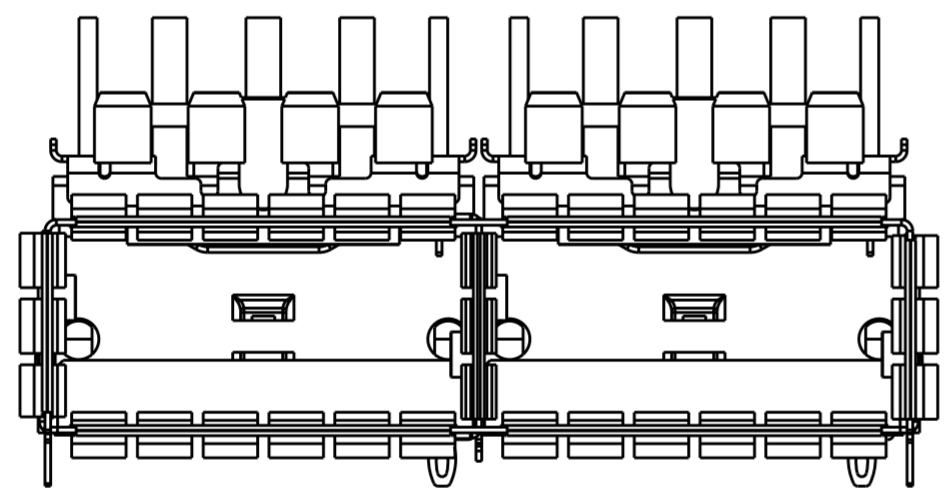
THIS DRAWING IS A CONTROLLED DOCUMENT.		DWN BING LIU 16SEP2014	STE TE Connectivity
		CHK JASON YANG 16SEP2014	
		APVD - 01NOV2016	NAME RECEPTACLE CAGE ASSEMBLY WITH HEAT SINKS AND LIGHT PIPES, THRU BEZEL, 1X2, QSFP28, SPRING
DIMENSIONS: mm		PRODUCT SPEC 108-19428	SIZE A200779
TOLERANCES UNLESS OTHERWISE SPECIFIED: 0 PLC ± 1 PLC ±0.25 2 PLC ±0.2 3 PLC ± 4 PLC ± ANGLES ± FINISH		APPLICATION SPEC 114-32023	CAGE CODE C-2170826
MATERIAL SEE NOTES material_2		WEIGHT -	DRAWING NO C-2170826
SEE NOTES finish_spec_2		CUSTOMER DRAWING	RESTRICTED TO -
		SCALE 3:1	SHEET 3 OF 10 REV B

THIS DRAWING IS UNPUBLISHED. RELEASED FOR PUBLICATION 20
 © COPYRIGHT 20 BY - ALL RIGHTS RESERVED.

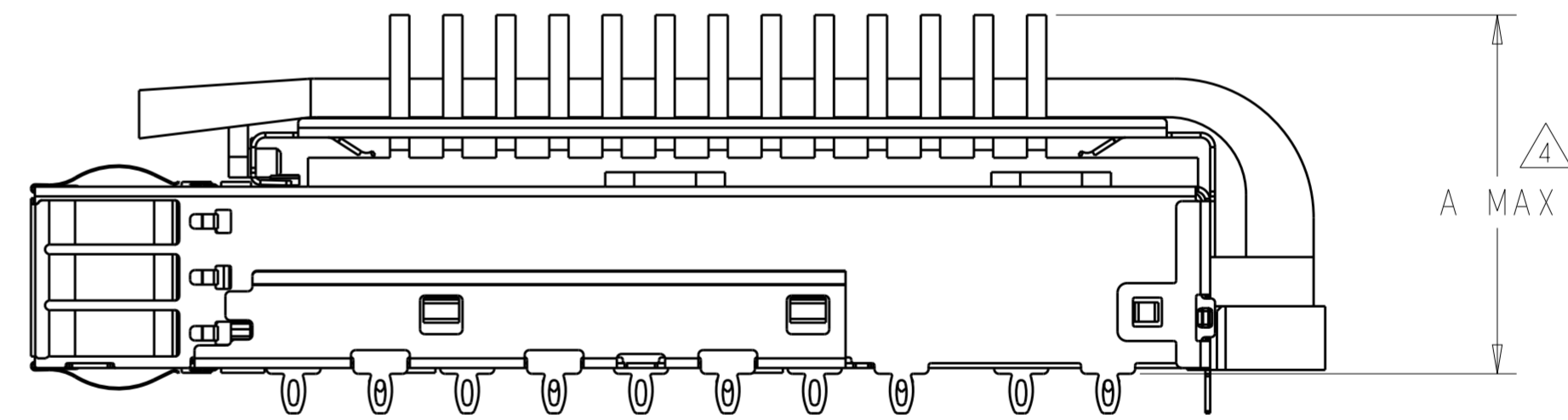
LOC		DIST		REVISIONS			
P	LTR	DESCRIPTION	DATE	DWN	APVD		
-	-	SEE SHEET 1	-	-	-		




2170826-6 WITH CUSTOMIZED HEAT SINK
 SCALE 3:1



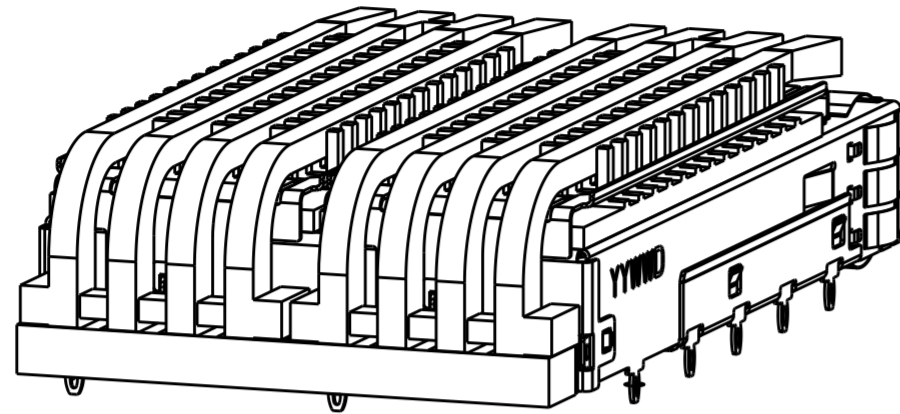
2170826-6 AS SHOWN
 UNSPECIFIED DIMENSIONS ARE SAME AS 2170826-1
 SCALE 3:1



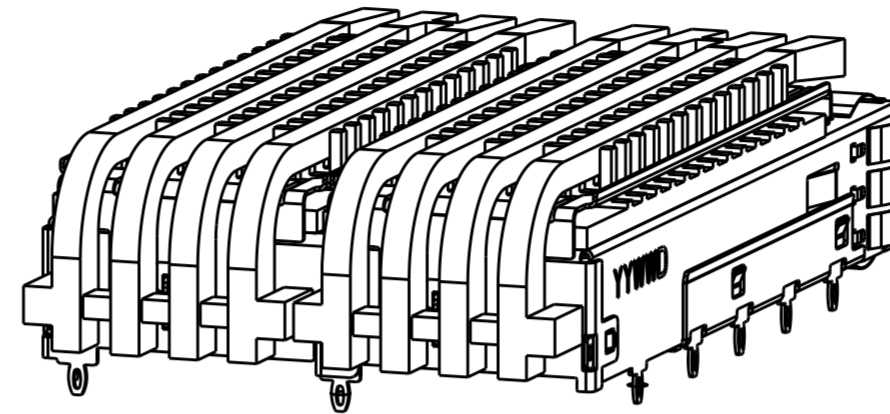
THIS DRAWING IS A CONTROLLED DOCUMENT.		DWN BING LIU 16SEP2014	 TE Connectivity	
DIMENSIONS: mm		CHK JASON YANG 16SEP2014		
TOLERANCES UNLESS OTHERWISE SPECIFIED:		APVD - 01NOV2016	NAME RECEPTACLE CAGE ASSEMBLY WITH HEAT SINKS AND LIGHT PIPES, THRU BEZEL, 1X2, QSFP28, SPRING	
0 PLC ±-	1 PLC ±0.25	PRODUCT SPEC 108-19428	SIZE A2	CAGE CODE 00779
2 PLC ±0.2	3 PLC ±-	APPLICATION SPEC 114-32023	DRAWING NO C-2170826	RESTRICTED TO -
4 PLC ±-	ANGLES ±-	WEIGHT -	SCALE 3:1 SHEET 4 OF 10 REV B	
MATERIAL SEE NOTES material_2	FINISH SEE NOTES finish_spec_2	CUSTOMER DRAWING		

THIS DRAWING IS UNPUBLISHED. RELEASED FOR PUBLICATION 20
 © COPYRIGHT 20 BY - ALL RIGHTS RESERVED.

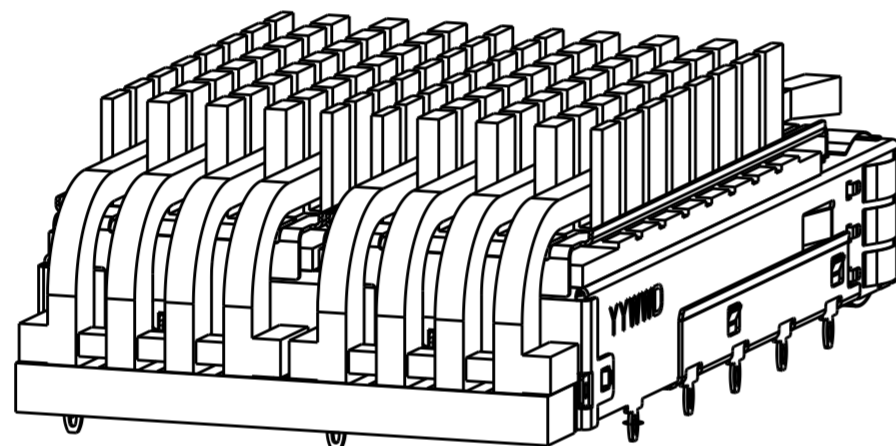
LOC		DIST		REVISIONS			
P	LTR	DESCRIPTION	DATE	DWN	APVD		
-	-	SEE SHEET 1	-	-	-		



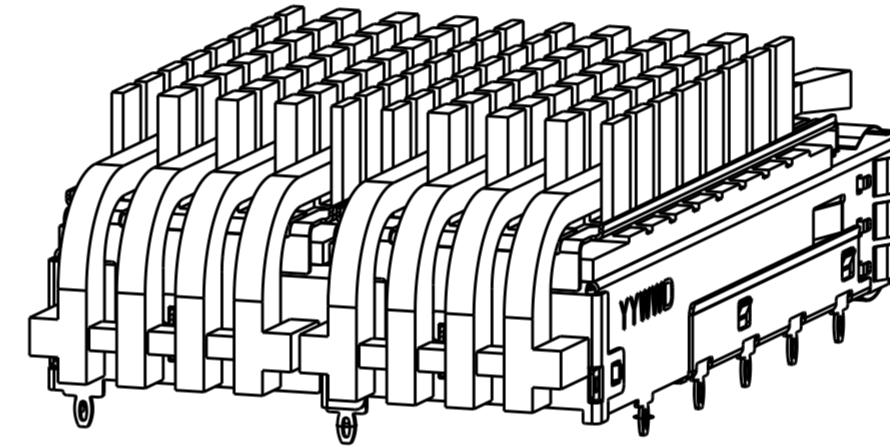
2170826-1 AS SHOWN
SCALE 2:1



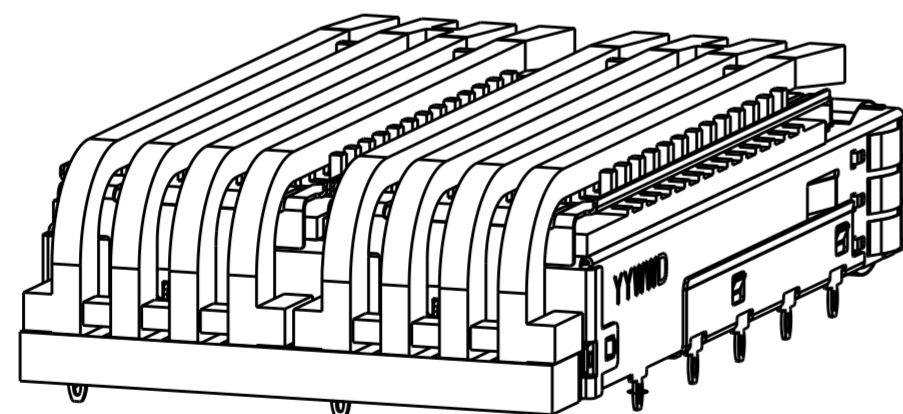
2170826-2 AS SHOWN
SAME AS 2170826-1 EXCEPT FOR WITHOUT ORGANIZER
SCALE 2:1



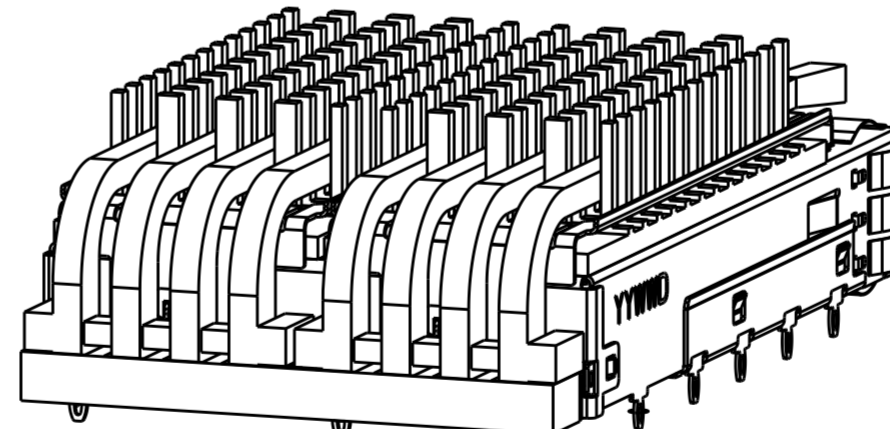
2170826-3 AS SHOWN
SCALE 2:1




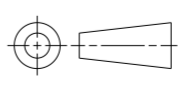
2170826-4 AS SHOWN
SAME AS 2170826-3 EXCEPT FOR WITHOUT ORGANIZER
SCALE 2:1



2170826-5 AS SHOWN
SAME AS 2170826-1 EXCEPT FOR HEAT SINK
SCALE 2:1

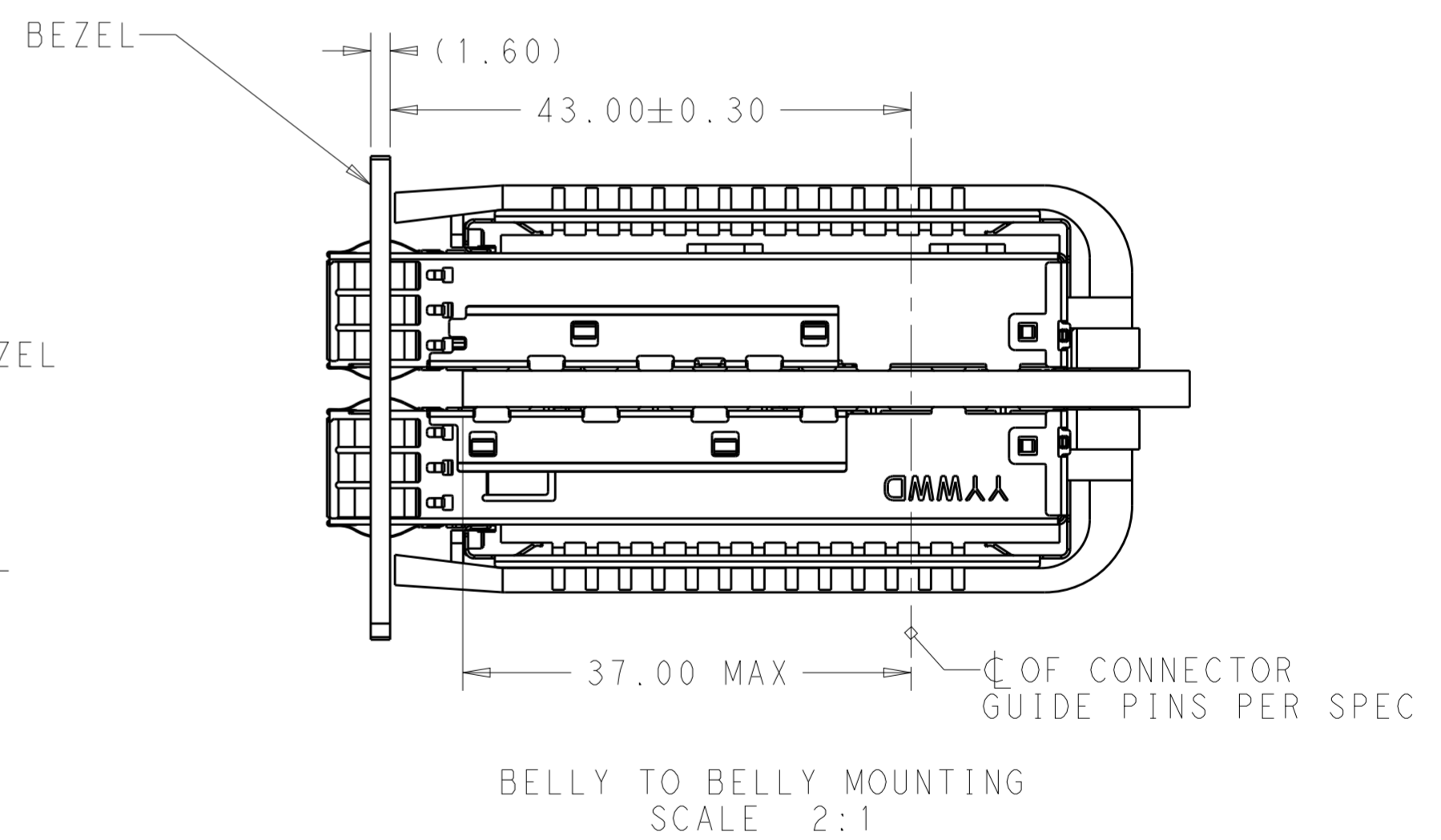
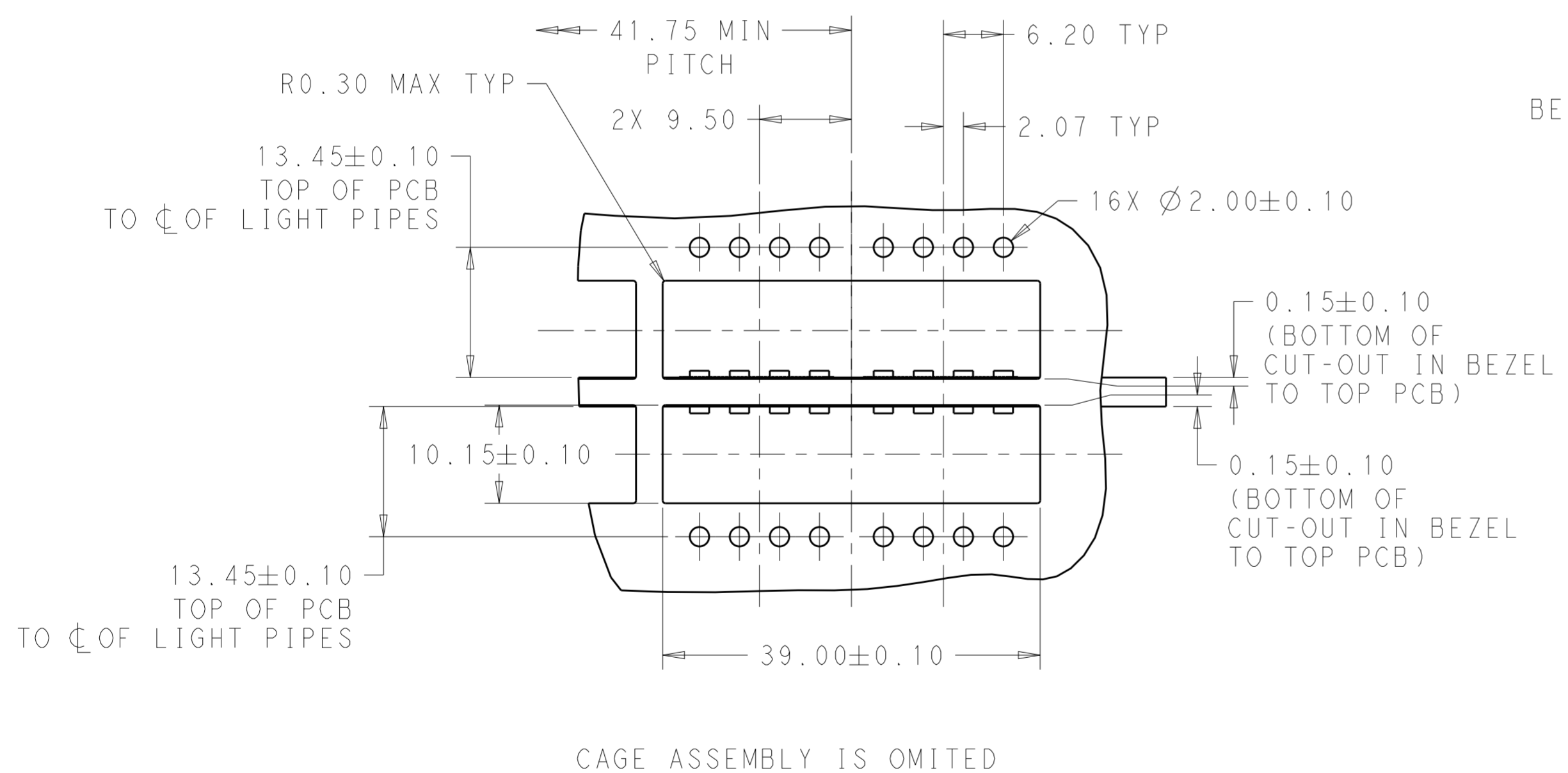
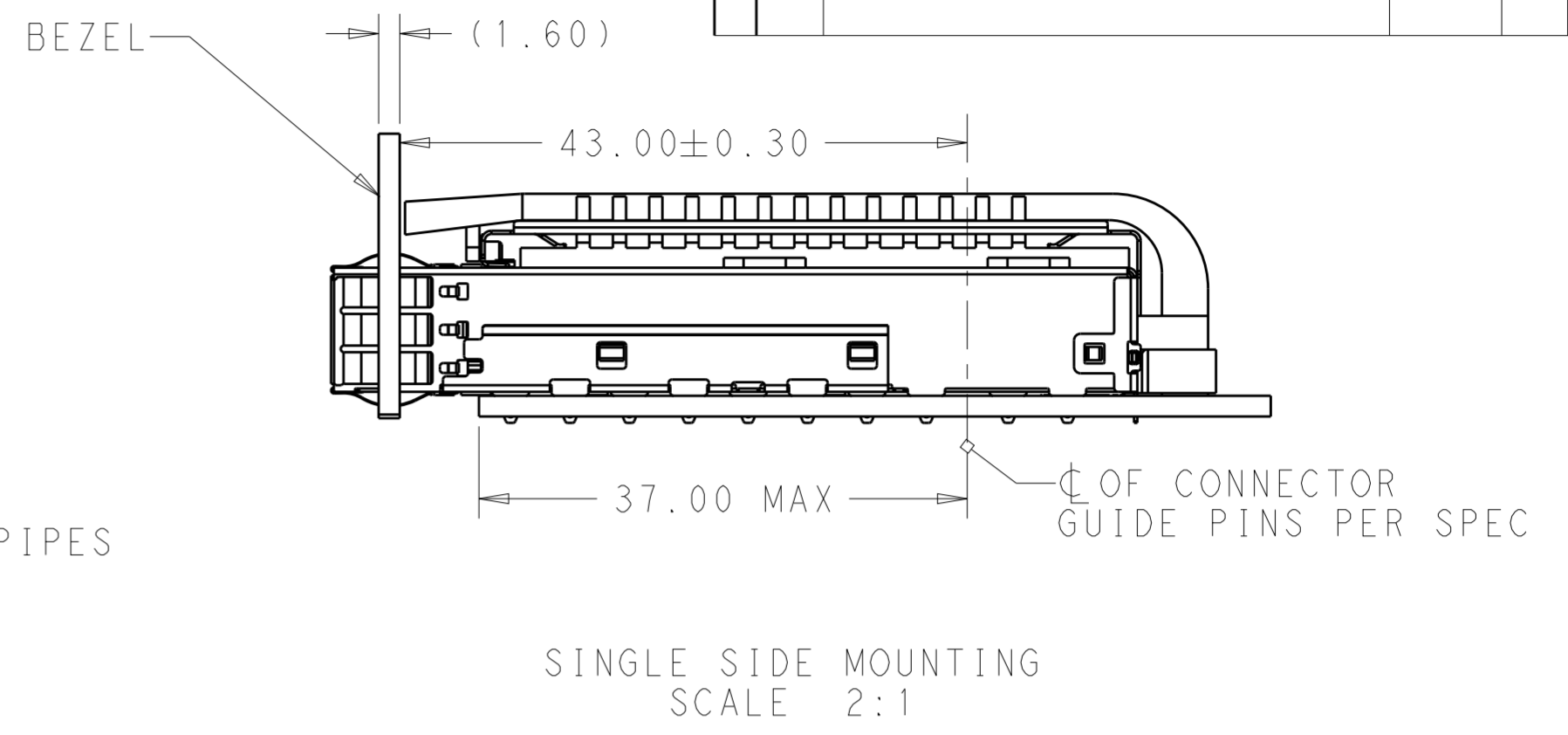
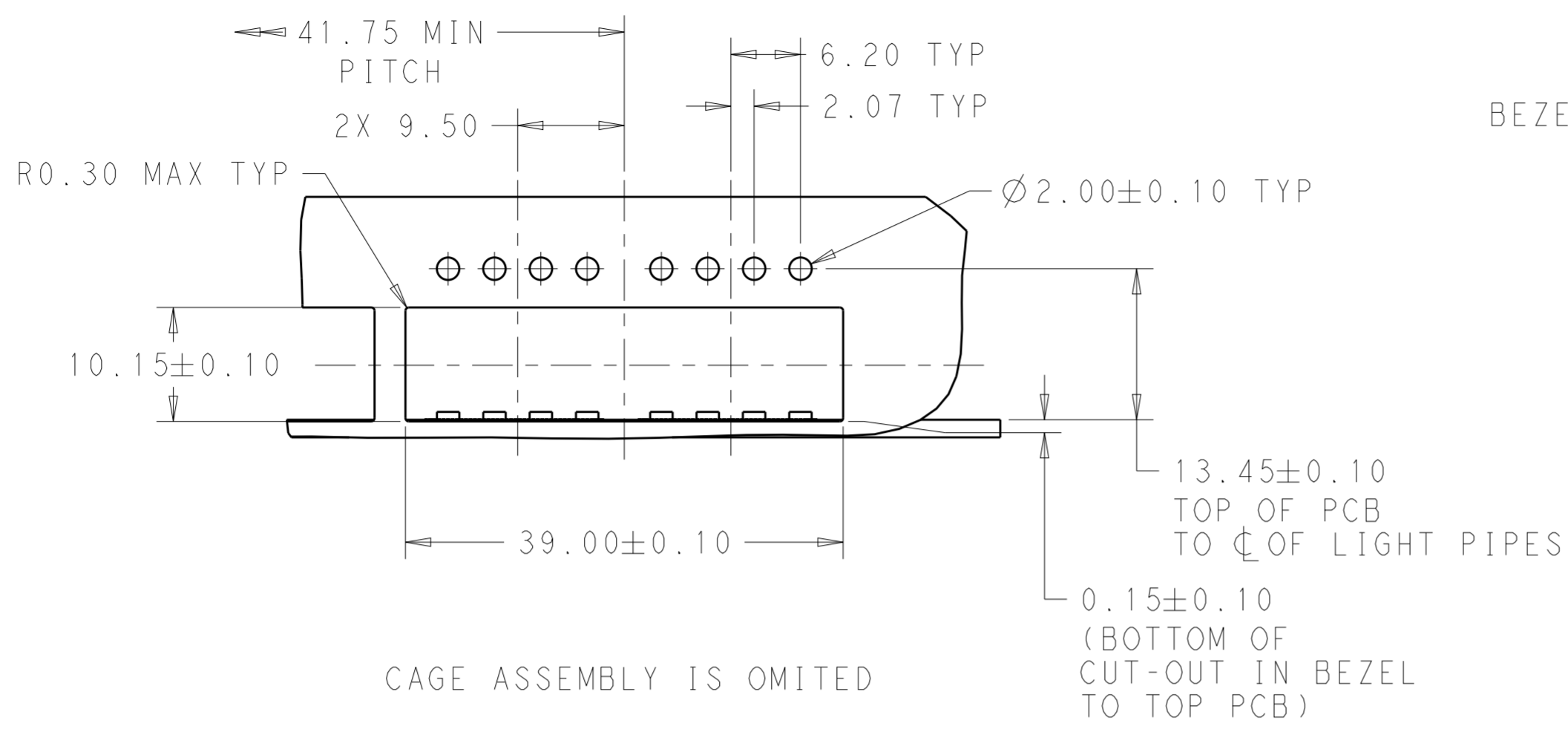


2170826-6 AS SHOWN
SAME AS 2170826-1 EXCEPT FOR HEAT SINK
SCALE 2:1

THIS DRAWING IS A CONTROLLED DOCUMENT.		DWN BING LIU 16SEP2014	 TE Connectivity
DIMENSIONS: mm		CHK JASON YANG 16SEP2014	
		APVD - 01NOV2016	NAME RECEPTACLE CAGE ASSEMBLY WITH HEAT SINKS AND LIGHT PIPES, THRU BEZEL, 1X2, QSFP28, SPRING
TOLERANCES UNLESS OTHERWISE SPECIFIED: 0 PLC ± 1 PLC ±0.25 2 PLC ±0.2 3 PLC ± 4 PLC ± ANGLES ±		PRODUCT SPEC 108-19428	SIZE A200779
MATERIAL SEE NOTES material_2		APPLICATION SPEC 114-32023	DRAWING NO C-2170826
FINISH SEE NOTES finish_spec_2		WEIGHT -	RESTRICTED TO -
CUSTOMER DRAWING		SCALE 3:1	SHEET 5 OF 10
			REV B

THIS DRAWING IS UNPUBLISHED. RELEASED FOR PUBLICATION 20
 © COPYRIGHT 20 BY - ALL RIGHTS RESERVED.

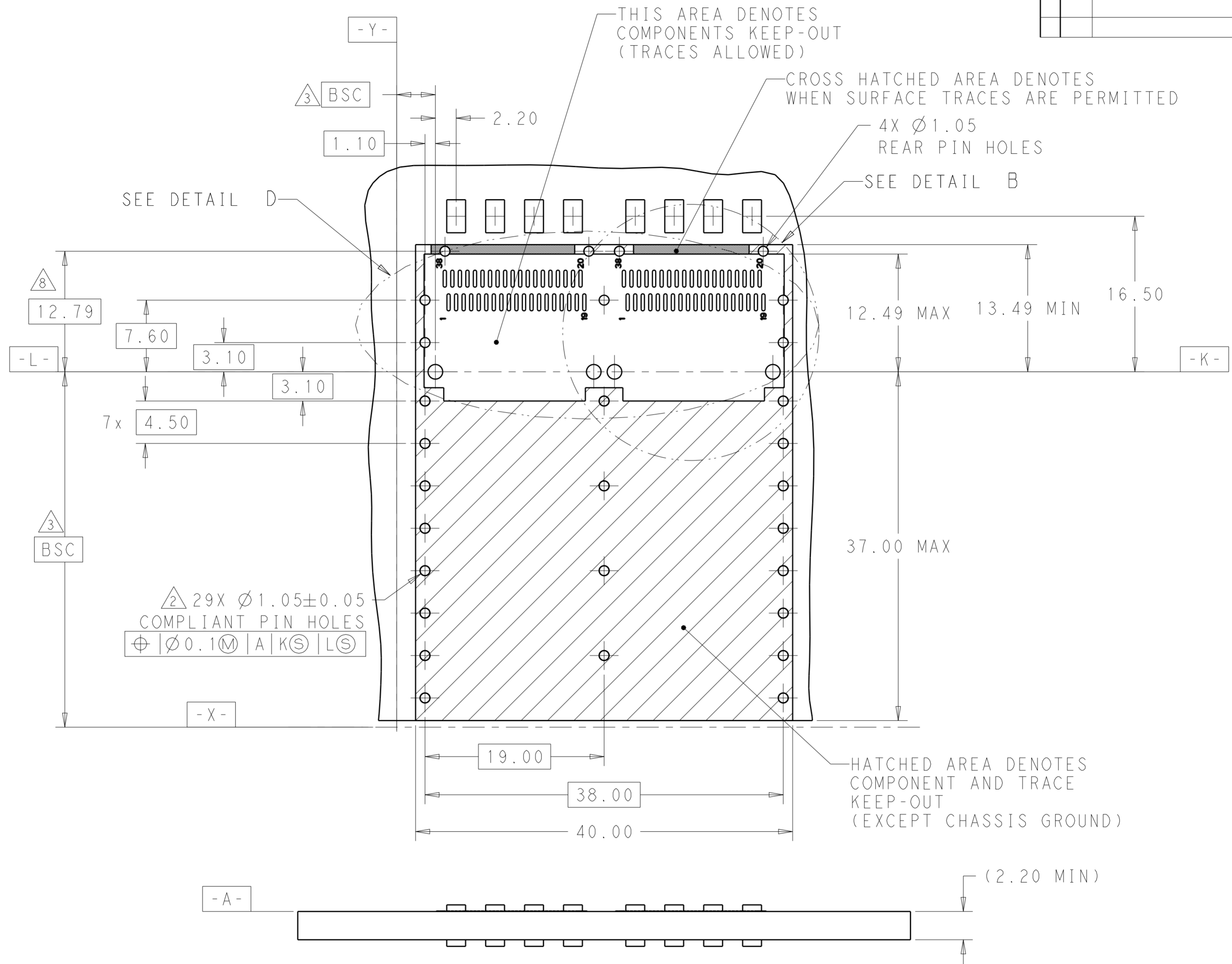
LOC		DIST		REVISIONS			
P	LTR	DESCRIPTION	DATE	DWN	APVD		
-	-	SEE SHEET 1	-	-	-		



THIS DRAWING IS A CONTROLLED DOCUMENT.		DWN BING LIU 16SEP2014	STE TE Connectivity	
		CHK JASON YANG 16SEP2014		
DIMENSIONS: mm		APVD 01NOV2016	NAME RECEPTACLE CAGE ASSEMBLY WITH HEAT SINKS AND LIGHT PIPES, THRU BEZEL, 1X2, QSFP28, SPRING	
TOLERANCES UNLESS OTHERWISE SPECIFIED:		PRODUCT SPEC 108-19428	SIZE CAGE CODE DRAWING NO RESTRICTED TO	
0 PLC ±		APPLICATION SPEC 114-32023	A200779 C-2170826	
1 PLC ±0.25		WEIGHT -	SCALE 3:1 SHEET 6 OF 10 REV B	
2 PLC ±0.2		CUSTOMER DRAWING		
3 PLC ±				
4 PLC ±				
ANGLES ±				
FINISH				
MATERIAL SEE NOTES material_2				
SEE NOTES finish_spec_2				

THIS DRAWING IS UNPUBLISHED. RELEASED FOR PUBLICATION 20
 © COPYRIGHT 20 BY - ALL RIGHTS RESERVED.

LOC	DIST	REVISIONS			
P	LTR	DESCRIPTION	DATE	DWN	APVD
-	-	SEE SHEET 1	-	-	-



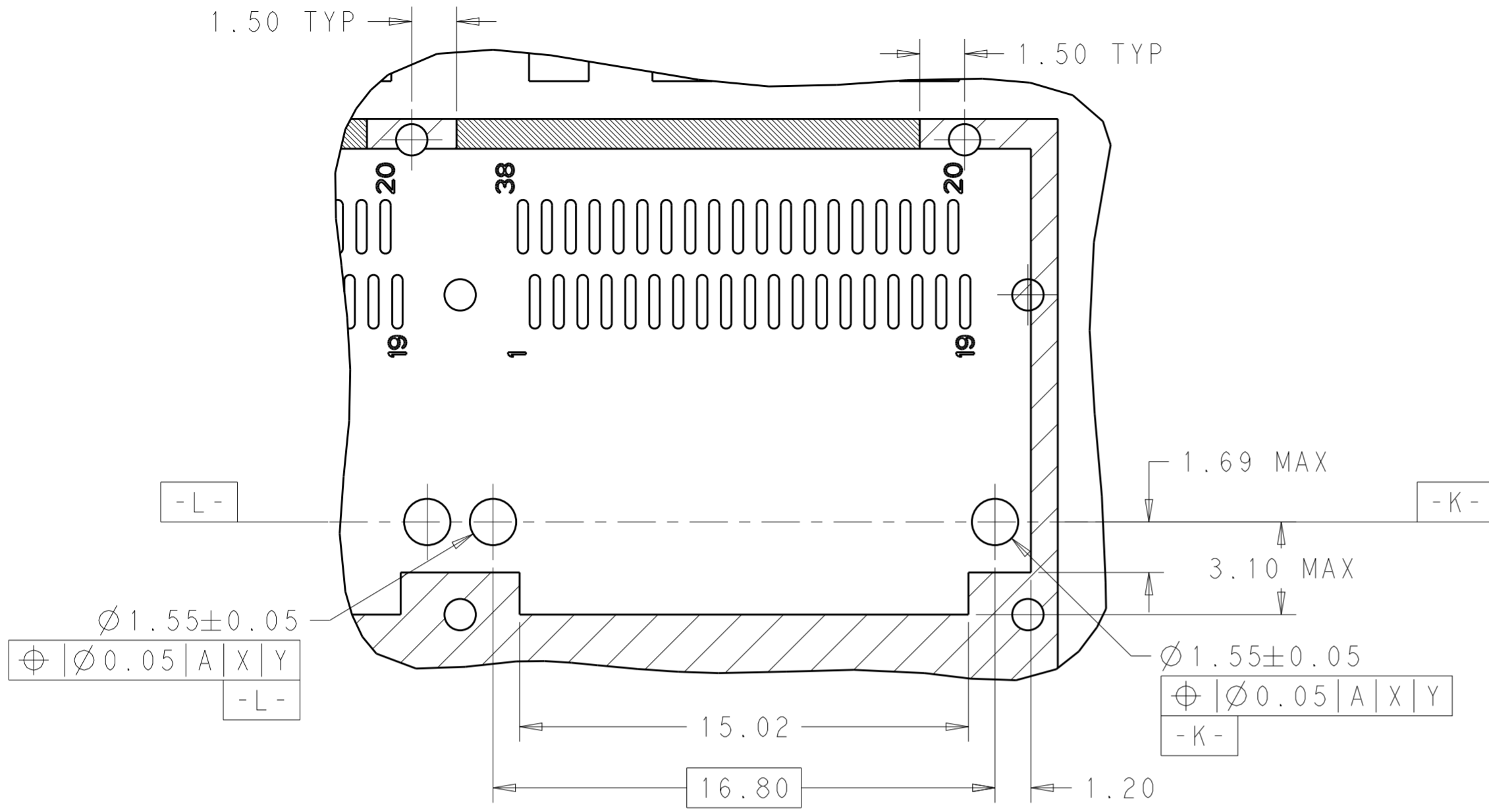
29X Ø1.05±0.05
 COMPLIANT PIN HOLES
 ⊕ | Ø0.1M | A | K(S) | L(S)

RECOMMENDED PCB LAYOUT
 BELLY TO BELLY TYPE
 PCB TOLERANCE: ±0.05
 SCALE 3:1

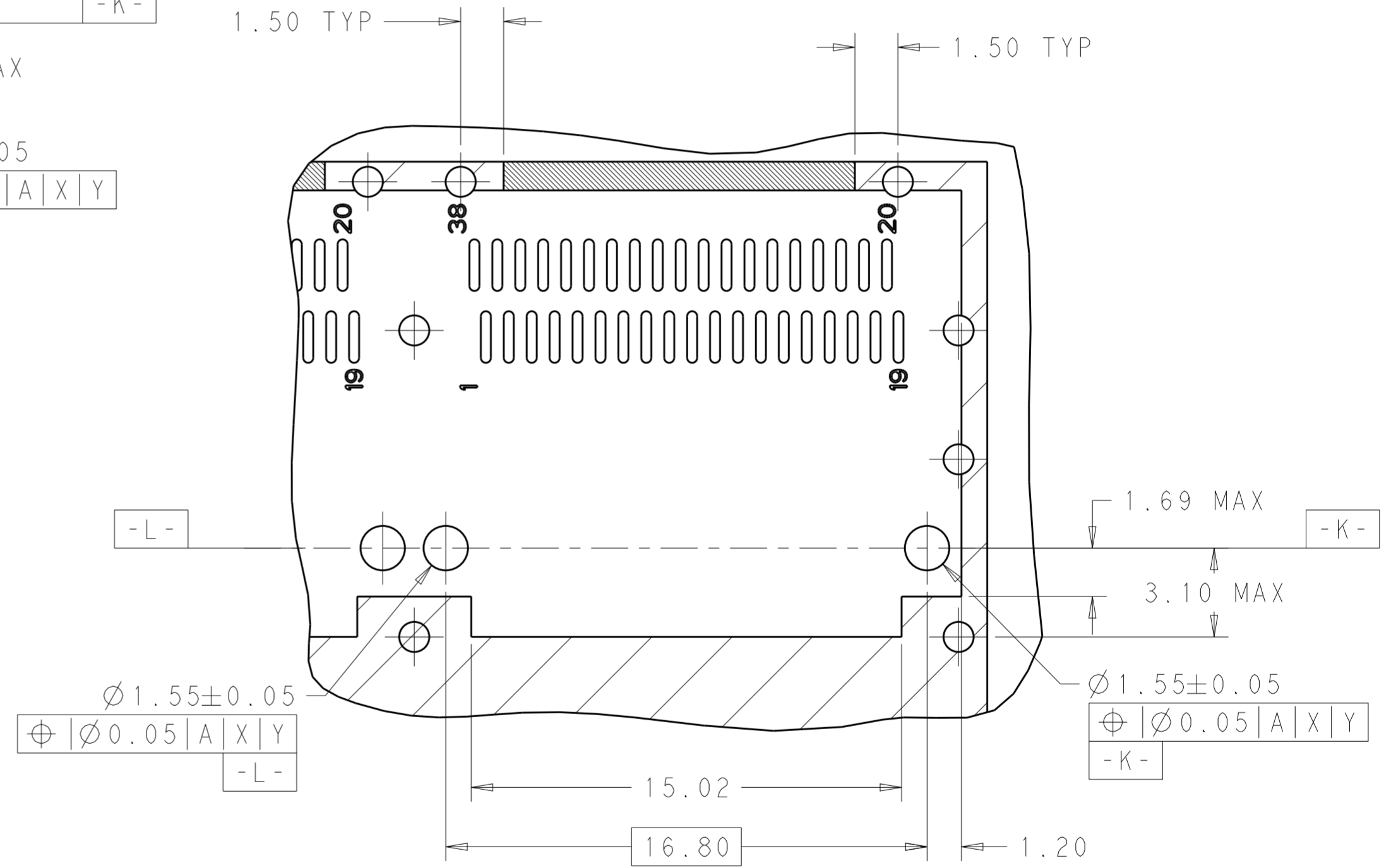
THIS DRAWING IS A CONTROLLED DOCUMENT.		DWN BING LIU 16SEP2014	 TE Connectivity
DIMENSIONS: mm		CHK JASON YANG 16SEP2014	
TOLERANCES UNLESS OTHERWISE SPECIFIED:		APVD 01NOV2016	
0 PLC ±	1 PLC ±0.25	PRODUCT SPEC 108-19428	NAME RECEPTACLE CAGE ASSEMBLY WITH HEAT SINKS AND LIGHT PIPES, THRU BEZEL, 1X2, QSFP28, SPRING
2 PLC ±0.2	3 PLC ±	APPLICATION SPEC 114-32023	SIZE A200779
4 PLC ±	ANGLES ±	WEIGHT -	CAGE CODE C-2170826
MATERIAL SEE NOTES material_2	FINISH SEE NOTES finish_spec_2	CUSTOMER DRAWING	RESTRICTED TO -
		SCALE 3:1	SHEET 8 OF 10
		REV B	

THIS DRAWING IS UNPUBLISHED. RELEASED FOR PUBLICATION 20
 © COPYRIGHT 20 BY - ALL RIGHTS RESERVED.

LOC		DIST		REVISIONS			
P	LTR	DESCRIPTION	DATE	DWN	APVD		
-	-	SEE SHEET 1	-	-	-		



DETAIL A
SCALE 6:1

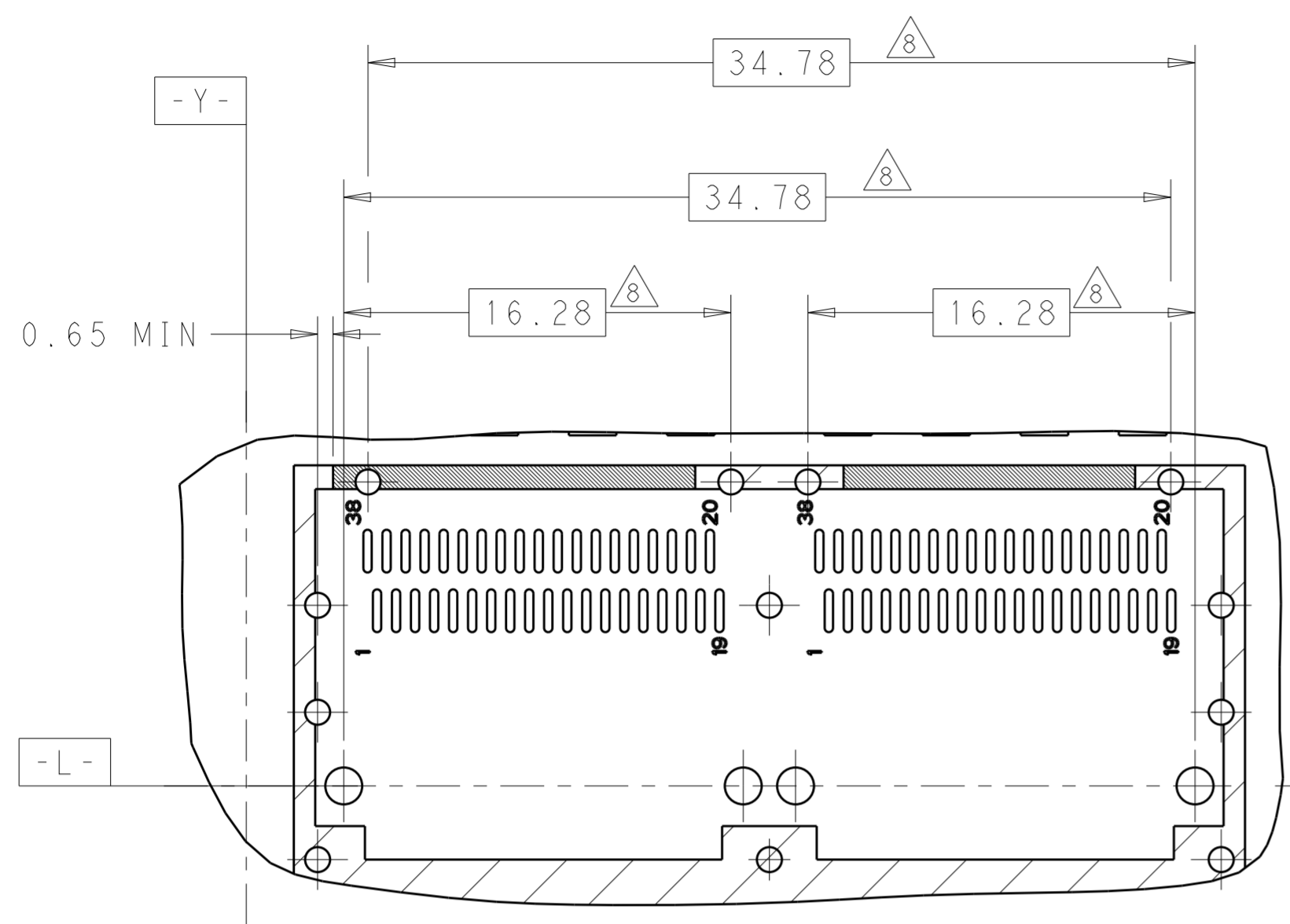


DETAIL B
SCALE 6:1

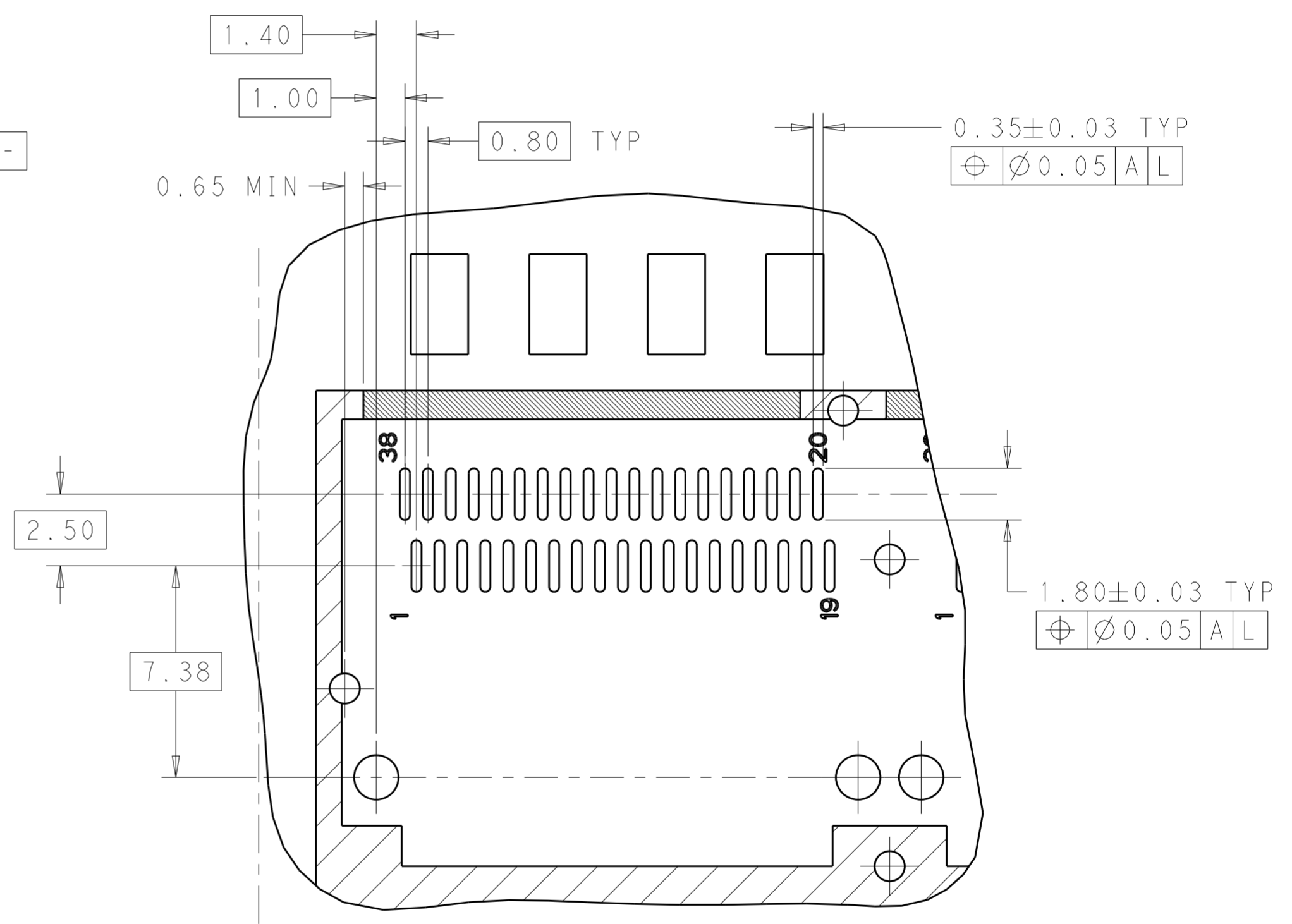
THIS DRAWING IS A CONTROLLED DOCUMENT.		DWN BING LIU 16SEP2014	STE TE Connectivity
		CHK JASON YANG 16SEP2014	
		APVD - 01NOV2016	NAME RECEPTACLE CAGE ASSEMBLY WITH HEAT SINKS AND LIGHT PIPES, THRU BEZEL, 1X2, QSFP28, SPRING
DIMENSIONS: mm		PRODUCT SPEC 108-19428	SIZE A200779
TOLERANCES UNLESS OTHERWISE SPECIFIED: 0 PLC ± 1 PLC ±0.25 2 PLC ±0.2 3 PLC ± 4 PLC ± ANGLES ±		APPLICATION SPEC 114-32023	DRAWING NO C-2170826
MATERIAL SEE NOTES material_2		FINISH SEE NOTES finish_spec_2	RESTRICTED TO -
		WEIGHT -	SCALE 3:1 SHEET 9 OF 10 REV B
		CUSTOMER DRAWING	

THIS DRAWING IS UNPUBLISHED. RELEASED FOR PUBLICATION 20
 © COPYRIGHT 20 BY - ALL RIGHTS RESERVED.

LOC		DIST		REVISIONS			
P	LTR	DESCRIPTION	DATE	DWN	APVD		
-	-	SEE SHEET 1	-	-	-		



DETAIL D
SCALE 4:1



DETAIL E
SCALE 6:1

THIS DRAWING IS A CONTROLLED DOCUMENT.		DWN BING LIU 16SEP2014	TE Connectivity
		CHK JASON YANG 16SEP2014	
		APVD - 01NOV2016	NAME RECEPTACLE CAGE ASSEMBLY WITH HEAT SINKS AND LIGHT PIPES, THRU BEZEL, 1X2, QSFP28, SPRING
DIMENSIONS: mm		PRODUCT SPEC 108-19428	SIZE A200779
TOLERANCES UNLESS OTHERWISE SPECIFIED: 0 PLC ± 1 PLC ±0.25 2 PLC ±0.2 3 PLC ± 4 PLC ± ANGLES ±		APPLICATION SPEC 114-32023	CAGE CODE C-2170826
MATERIAL SEE NOTES material_2		FINISH SEE NOTES finish_spec_2	DRAWING NO G-2170826
		WEIGHT -	RESTRICTED TO -
		CUSTOMER DRAWING	SCALE 3:1 SHEET 10 OF 10 REV B

单击下面可查看定价，库存，交付和生命周期等信息

[>>TE Connectivity\(泰科\)](#)