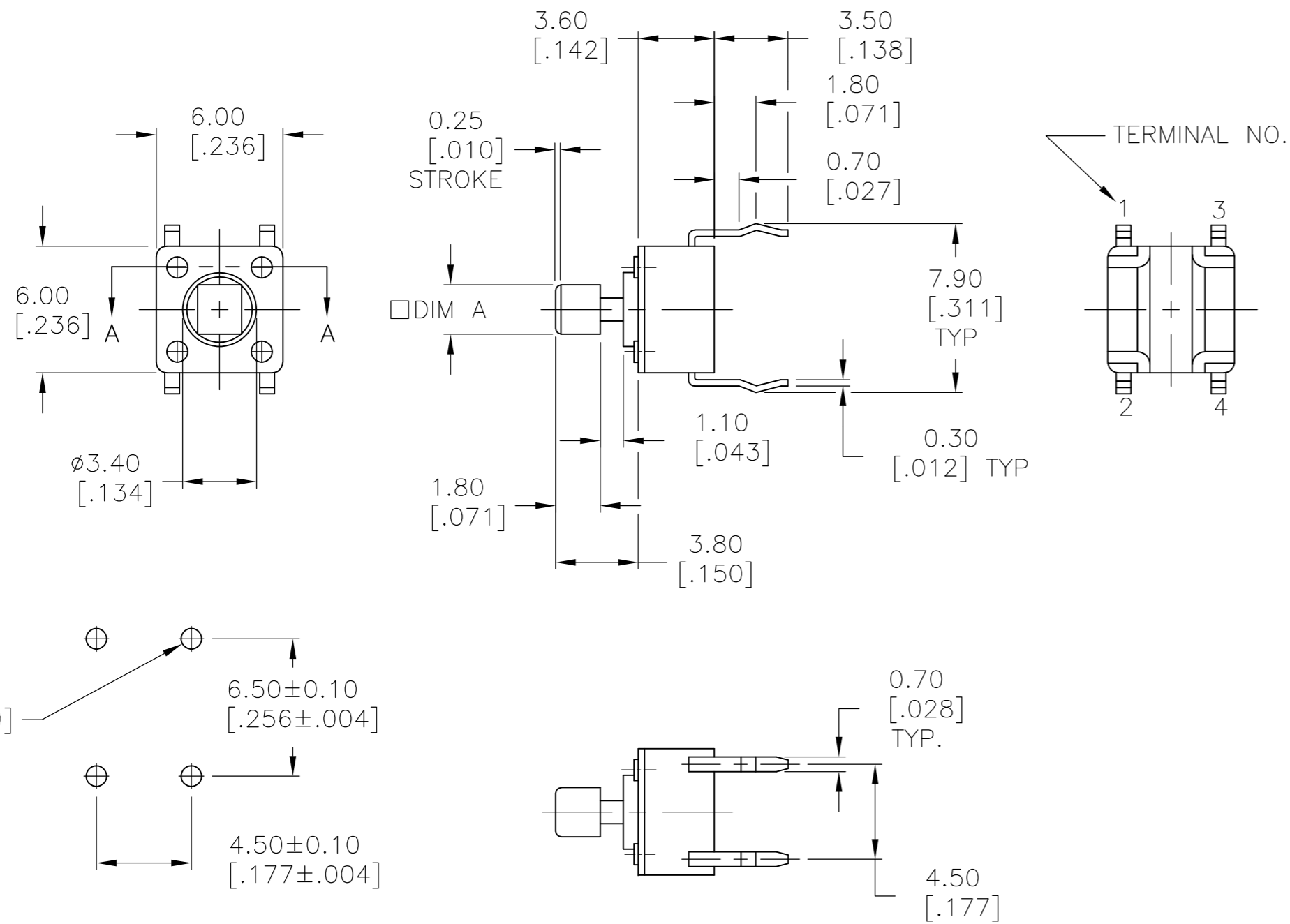


THIS DRAWING IS UNPUBLISHED. RELEASED FOR PUBLICATION
 © COPYRIGHT - By - ALL RIGHTS RESERVED.

REVISIONS					
P	LTR	DESCRIPTION	DATE	DWN	APVD
E		REVISED PER ECO-17-002273	10OCT2017	RK	AS



RECOMMENDED HOLE LAYOUT
 TOLERANCE ±.002 UNLESS OTHERWISE NOTED

SPECIFICATIONS:

MATERIALS:
 CASE, NYLON 66, UL94HB, BLACK FINISH
 COVER, PET FILM, WHITE
 ACTUATOR, NYLON 66, UL94HB, SEE P/N TABLE FOR FINISH
 MOVING CONTACT, COPPER ALLOY, SILVER FINISH
 FIXED CONTACT/TERMINAL, COPPER ALLOY, SILVER OVER NICKEL FINISH

ELECTRICAL:
 MAX CONTACT RATING, 50MA@ 24V DC, PER EIA-448, METHOD 6
 MIN CONTACT RATING, 10MICROAMP@1V DC
 INITIAL CONTACT RESISTANCE, 50 MILLIOHMS MAX, PER EIA-364-23B, EACH POSITION
 INSULATION RESISTANCE, 1000 MEGOHM MIN. PER EIA-364-21C EACH POSITION
 DIELECTRIC STRENGTH, 500 V AC FOR 1 MINUTE, PER EIA-364-20B, CONDITION 1, EACH POSITION.
 LIFE EXPECTANCY, 100,000 CYCLES

MECHANICAL:
 ACTUATION FORCE, SEE P/N TABLE
 ACTUATION TRAVEL, .25 +/- .10 MM
 LIFE EXPECTANCY, 100,000 CYCLES MIN (2 CYCLES PER SECOND AND 150% ACTUATION FORCE), PER EIA-448 METHODS 8 AND 9
 VIBRATION, PER EIA 364-28D, CONDITION VII, LEVEL E
 MECHANICAL SHOCK, PER EIA-364-27C, CONDITION A

ENVIRONMENTAL:
 OPERATING TEMPERATURE, -35 TO +85 DEGREES C, PER EIA-448, METHOD 10
 STORAGE TEMPERATURE, -35 TO +85 DEGREES C
 HUMIDITY AND TEMPERATURE CYCLING PER EIA-364-31B, METHOD III
 THERMAL SHOCK, PER EIA-364-32C, -35 TO +85 DEGREES C
 SOLDERABILITY, PER EIA-364-52, CLASS 2, CATEGORY 1, TEMP, 245 DEGREES C MAX, TIME, 2.5 SECONDS MAX, 95% MINIMUM COVERAGE
 RESISTANCE TO SOLDER HEAT, PER 109-202, CONDITION B
 NO CHANGE IN INITIAL ELECTRICAL AND MECHANICAL CHARACTERISTICS

1 ALL MATERIALS AND FINISHES SHALL COMPLY WITH EU DIRECTIVE 2002/95/EC OF 27JAN2003(ROHS).

()-INDICATES MOMENTARY POSITION		
CIRCUIT CHARACTERISTICS		
CONTACT POSITION		CIRCUIT DIAGRAM
OFF	(ON)	
	1-3 2-4	

OBSOLETE	RED	260±50 GF	2.42[.095]	FSMDCW	1825967-3
	BLACK	160±50 GF	2.80 [.110]	FSMCDAH	1825967-2
	BLUE	160±50 GF	2.42 [.095]	FSMCDH	1825967-1
	ACTUATOR BUTTON COLOR	ACTUATION FORCE	DIM A	ALCO PART NO.	PART NO.

THIS DRAWING IS A CONTROLLED DOCUMENT.		DWN R BROWN 13FEB2007	TE Connectivity		
DIMENSIONS: mm [INCHES]		CHK M SARVER 13FEB2007			
TOLERANCES UNLESS OTHERWISE SPECIFIED:		APVD M SARVER 13FEB2007	NAME ACT SWITCH, SQUARE ACTUATOR, 6.0 mm, HIGH TEMP FSMCDH		
0 PLC ± -		PRODUCT SPEC	SIZE		
1 PLC ± -		APPLICATION SPEC	CAGE CODE		
2 PLC ± 0.30[.012]			DRAWING NO		
3 PLC ± -			RESTRICTED TO		
4 PLC ± -			A2 00779 C=1825967		
ANGLES ± -			SCALE 4:1 SHEET 1 OF 1 REV E		
FINISH		WEIGHT			
SEE SPECIFICATIONS		CUSTOMER DRAWING			

单击下面可查看定价，库存，交付和生命周期等信息

[>>TE Connectivity\(泰科\)](#)