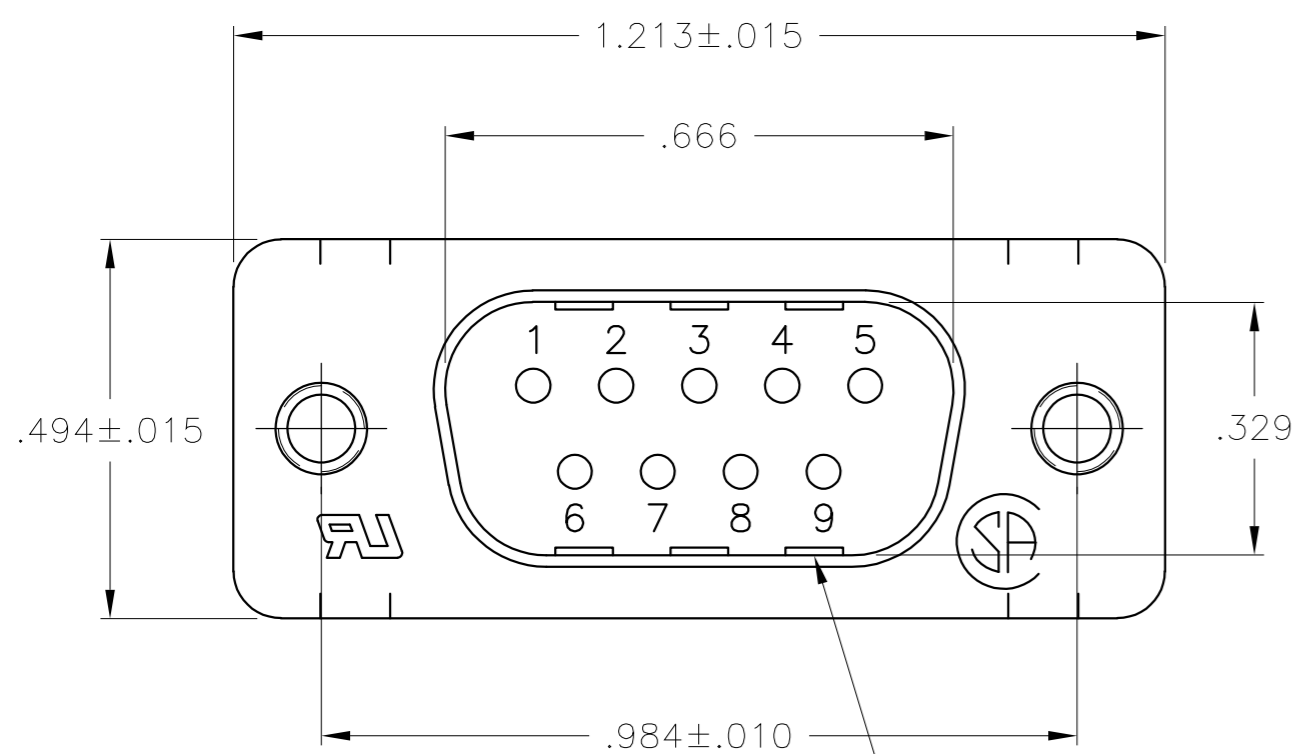


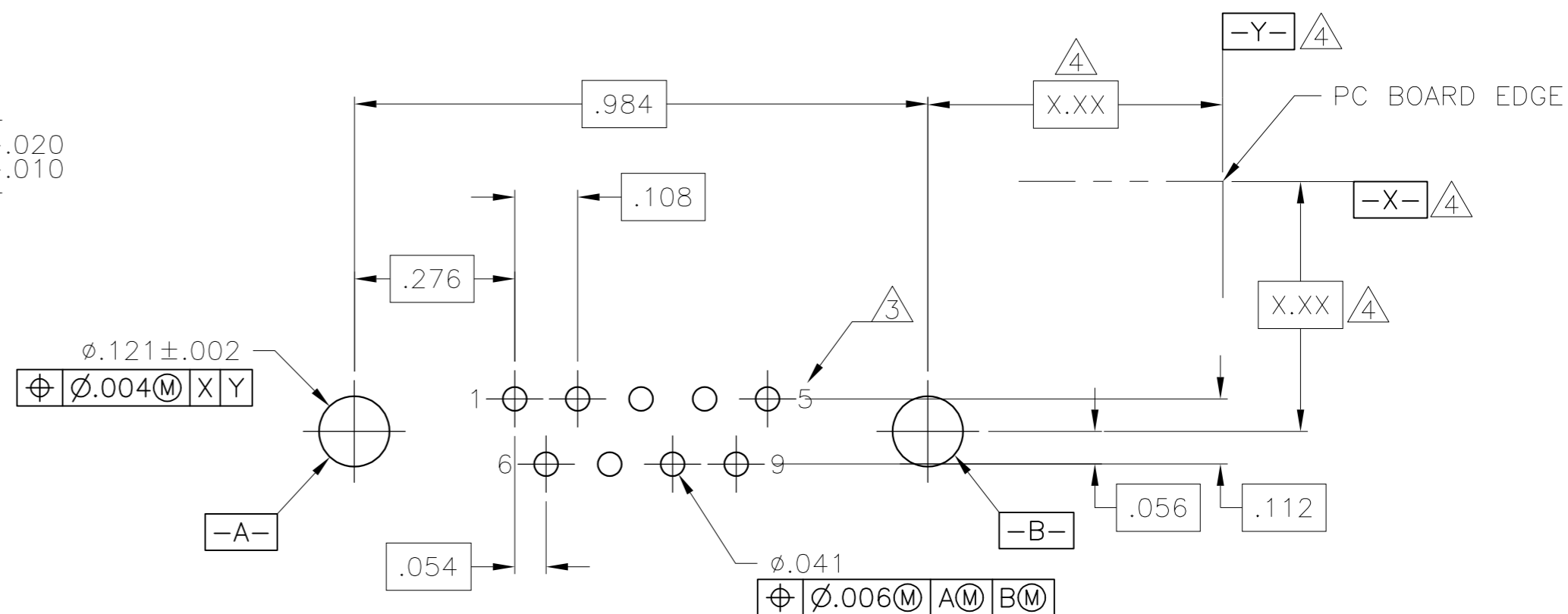
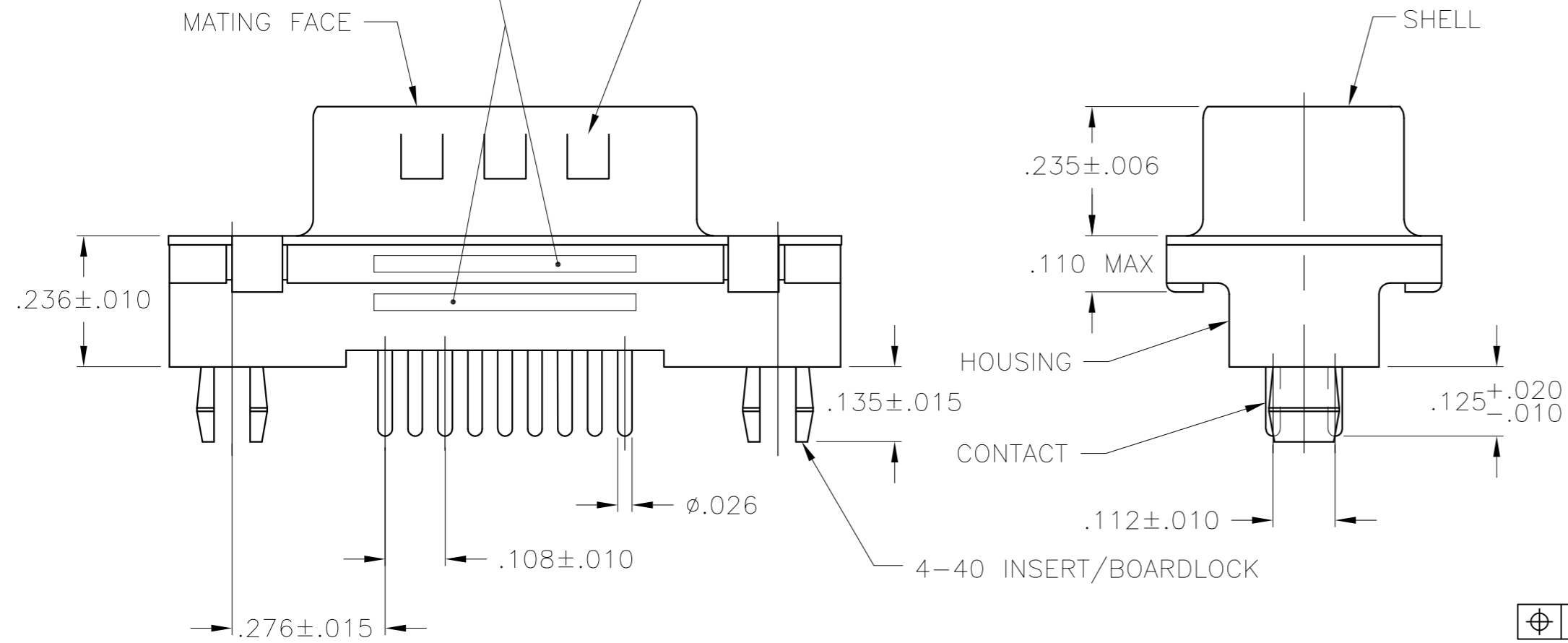
THIS DRAWING IS UNPUBLISHED. RELEASED FOR PUBLICATION
 © COPYRIGHT - By - ALL RIGHTS RESERVED.

LOC		DIST		REVISIONS			
P	LTR	DESCRIPTION		DATE	DWN	APVD	
GP	00	B1	REVISED PER ECO-11-004835		11MAR11	RK	HMR



- ① HOUSING: FLAME RETARDANT THERMOPLASTIC, 94V-0 RATED, COLOR BLACK.
SHELL: CARBON STEEL.
CONTACTS: BRASS.
INSERT/BOARDLOCKS: BRASS.
- ② SHELL: 0.00508[.000200] MIN TIN OVER 0.00254[.000100] MIN COPPER.
CONTACTS: 0.00076 [0.000030] MIN GOLD ON MATING END,
0.00254 [0.000100] MIN TIN ON SOLDER END, ALL OVER 0.00127
[0.000050] MIN NICKEL ON ENTIRE CONTACT.
-OR-
GOLD FLASH OVER 0.00076 [0.000030] MIN PALLADIUM NICKEL ON
MATING END, 0.00254 [0.000100] MIN TIN ON SOLDER END, ALL
OVER 0.00127 [0.000050] MIN NICKEL ON ENTIRE CONTACT.
INSERT/BOARDLOCKS: 0.00381[.000150] MIN TIN OVER 0.00254[.000100] MIN
COPPER.
- ③ POSITION NUMBERS SHOWN FOR REFERENCE ONLY.
- ④ DATUMS AND BASIC DIMENSIONS TO BE ESTABLISHED BY CUSTOMER.
- 5. RECOMMENDED SCREWLOCK FOR #4-40 INSERT/BOARDLOCK IS 5747877-3.

TYCO, PART NUMBER & DATE CODE
 MARKED IN AREAS INDICATED,
 ON EITHER SIDE



**COPYRIGHT 2005
 TE CONNECTIVITY CORP
 ALL RIGHTS RESERVED**

THIS DRAWING IS A CONTROLLED DOCUMENT.		DWN	J.GERACE	23MAR05	 TE Connectivity	2-5748003-0		
DIMENSIONS: INCHES		CHK	S.BOLASH	23MAR05		PART NUMBER		
TOLERANCES UNLESS OTHERWISE SPECIFIED:		APVD	M.WALMSLEY	23MAR05		PLUG ASSEMBLY, SIZE 1, 9 POS, VERTICAL, FRONT METAL SHELL, AMPLIMITE HD-20		
0 PLC ± -		PRODUCT SPEC	108-40025	NAME		SIZE	CAGE CODE	DRAWING NO
1 PLC ± -		APPLICATION SPEC	114-40023	114-40023	A2	00779	C=5748003	-
2 PLC ± -		WEIGHT	-	WEIGHT	SCALE	4:1	SHEET	1 of 1
3 PLC ± 0.13[.005]		CUSTOMER DRAWING		CUSTOMER DRAWING	SCALE	4:1	SHEET	1 of 1
4 PLC ± -					SCALE	4:1	SHEET	1 of 1
ANGLES ± -					SCALE	4:1	SHEET	1 of 1
FINISH					SCALE	4:1	SHEET	1 of 1
					SCALE	4:1	SHEET	1 of 1
					SCALE	4:1	SHEET	1 of 1

单击下面可查看定价，库存，交付和生命周期等信息

[>>TE Connectivity\(泰科\)](#)

[>>点击查看相关商品](#)