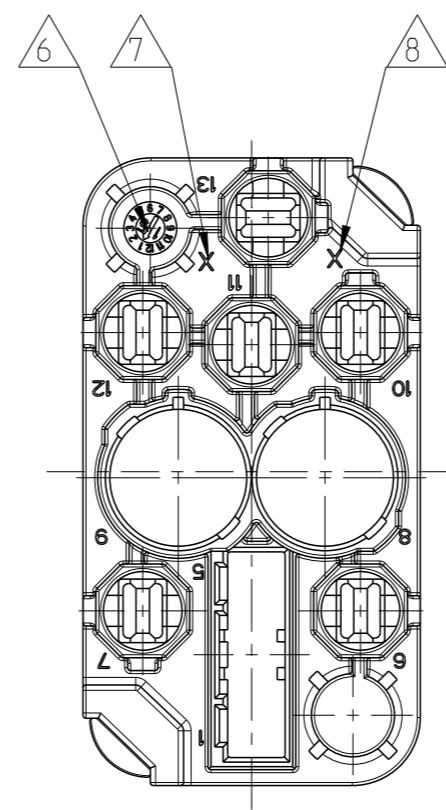
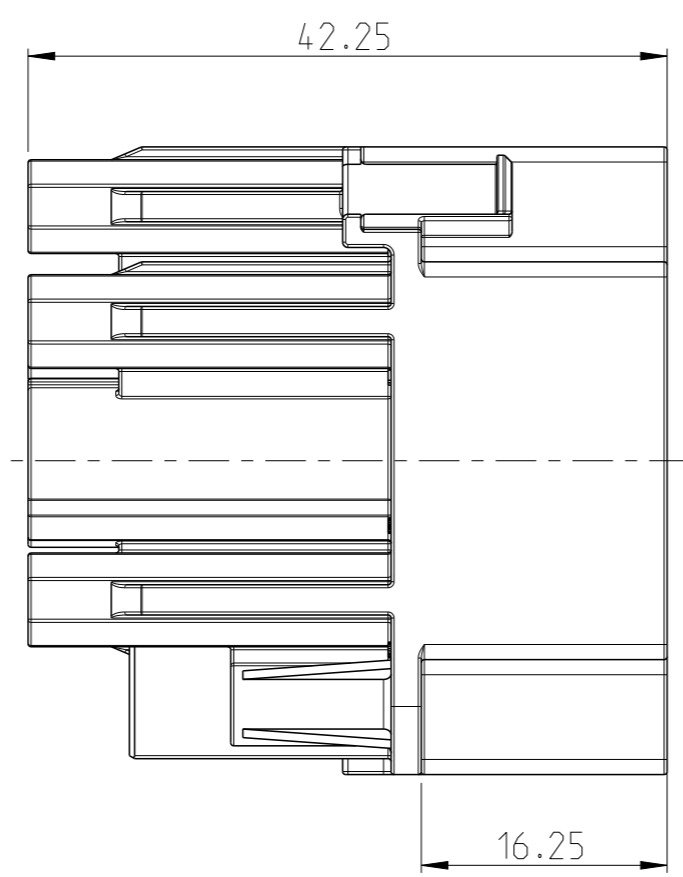
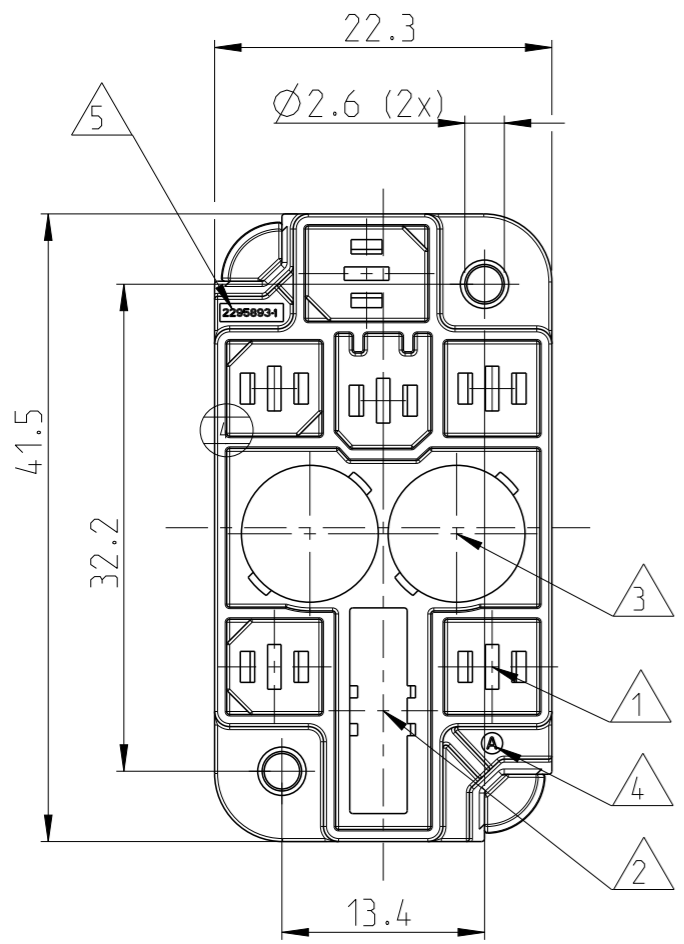
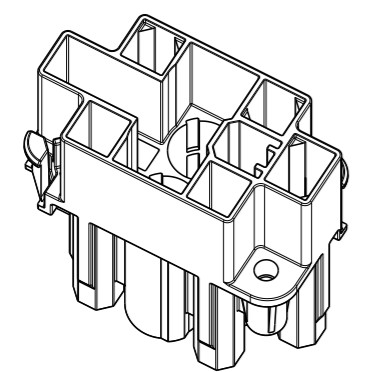


P	LTR	DESCRIPTION BESCHREIBUNG	DATE	DWN	APVD
	A1	DRAWING ACTIVATED	08JUN2016	ER	DO



- 1 CAVITY FOR TAB CONTACT 2.8x0.8mm PN 2-2141598-2
- 2 CAVITY FOR SIGNAL HOUSING PN 2295894-1 FOR TAB CONTACT 1.2x0.6mm PN 1418758-3
- 3 CAVITY FOR ETHERNET CORE PN 1103426-1
- 4 CODING IDENTIFIER CUSTOMER SPECIFIED
- 5 TE PART NO.
- 6 PRODUCTION DATE CLOCK
- 7 CURRENT TE REVISION LETTER
- 8 MOLD CAVITY IDENTIFICATION NUMBER
- 9 PACKAGING: SINGLE PIECE PACKED IN A BUBBLE BAG. 10 BAGS OVERPACKED INTO ONE BIG BAG AND THEN PACKED IN A TE OR NEUTRAL PAPER BOX.

SCALE 1:1



-1 AS SHOWN

TOLERANCING ISO 8015
 GEOMETRIC TOLERANCING ISO 1101
 SIZE ISO 14405
 GENERAL TOLERANCES ISO 2768-K

2295893-1	TAB HOUSING	BLACK	PBT-GF30
TE CONNECTIVITY ORDER NO.	DESCRIPTION	SURFACE	MATERIAL
		COLOUR	

DIESE ZEICHNUNG IST EIN KONTROLLIERTES DOKUMENT. BEMASSUNGEN UND TOLERANZEN GEMAESS GPS (ISO STANDARDS).		DWN E.REISS 30SEP2015
THIS DRAWING IS A CONTROLLED DOCUMENT. DIMENSIONING AND TOLERANCING PER GPS (ISO STANDARDS).		CHK KANG INGON 30SEP2015
DIMENSIONS: MASSEINHEITEN: MM	TOLERANCES UNLESS OTHERWISE SPECIFIED: ALLGEMEINTOLERANZEN	APVD ONDREJ DUSAN 30SEP2015
	0 PLC ±0.1 1 PLC ±0.1 2 PLC ±0.1 3 PLC ± 4 PLC ± ANGLES/WINKEL ±1°	PRODUCT SPEC PRODUKTSPEZ. -
MATERIAL	FINISH/OBERFLAECHE/FARBE	APPLICATION SPEC VERARBEITUNGSSPEZ. -
-	-	WEIGHT GEWICHT 14.42g
-	-	Customer Drawing

TE Connectivity NAME TAB HOUSING FLACHSTECKER GEHAEUSE		SIZE	CAGE CODE	DRAWING NO ZEICHNUNGS-NR.	RESTRICTED TO NUR FUER
		A3	00779	©=2295893	
Customer Drawing		/KUNDENZEICHNUNG	SCALE MASSSTAB 2:1	SHEET BLATT 1 OF VON 1	REV A1

单击下面可查看定价，库存，交付和生命周期等信息

[>>TE Connectivity\(泰科\)](#)