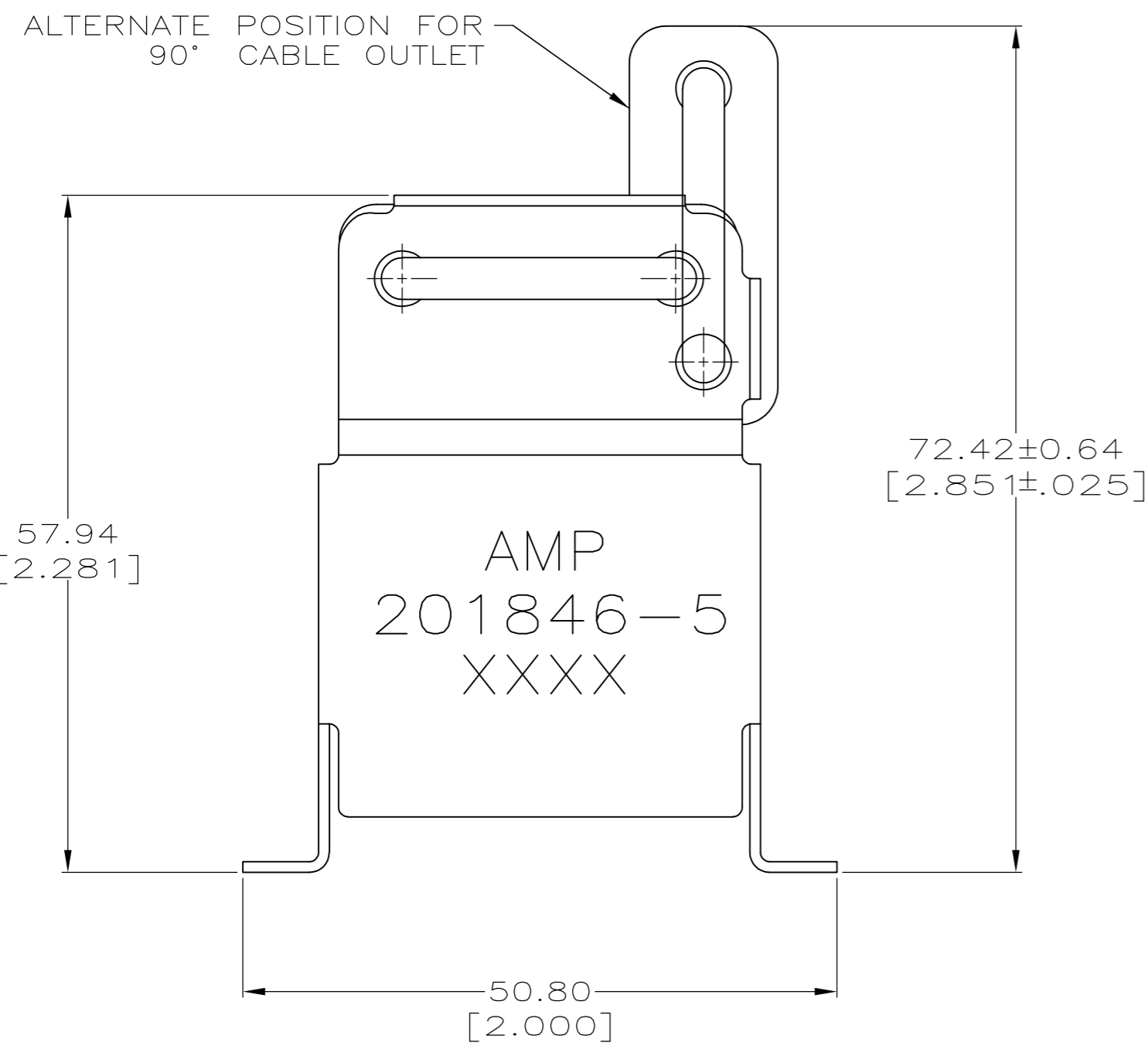
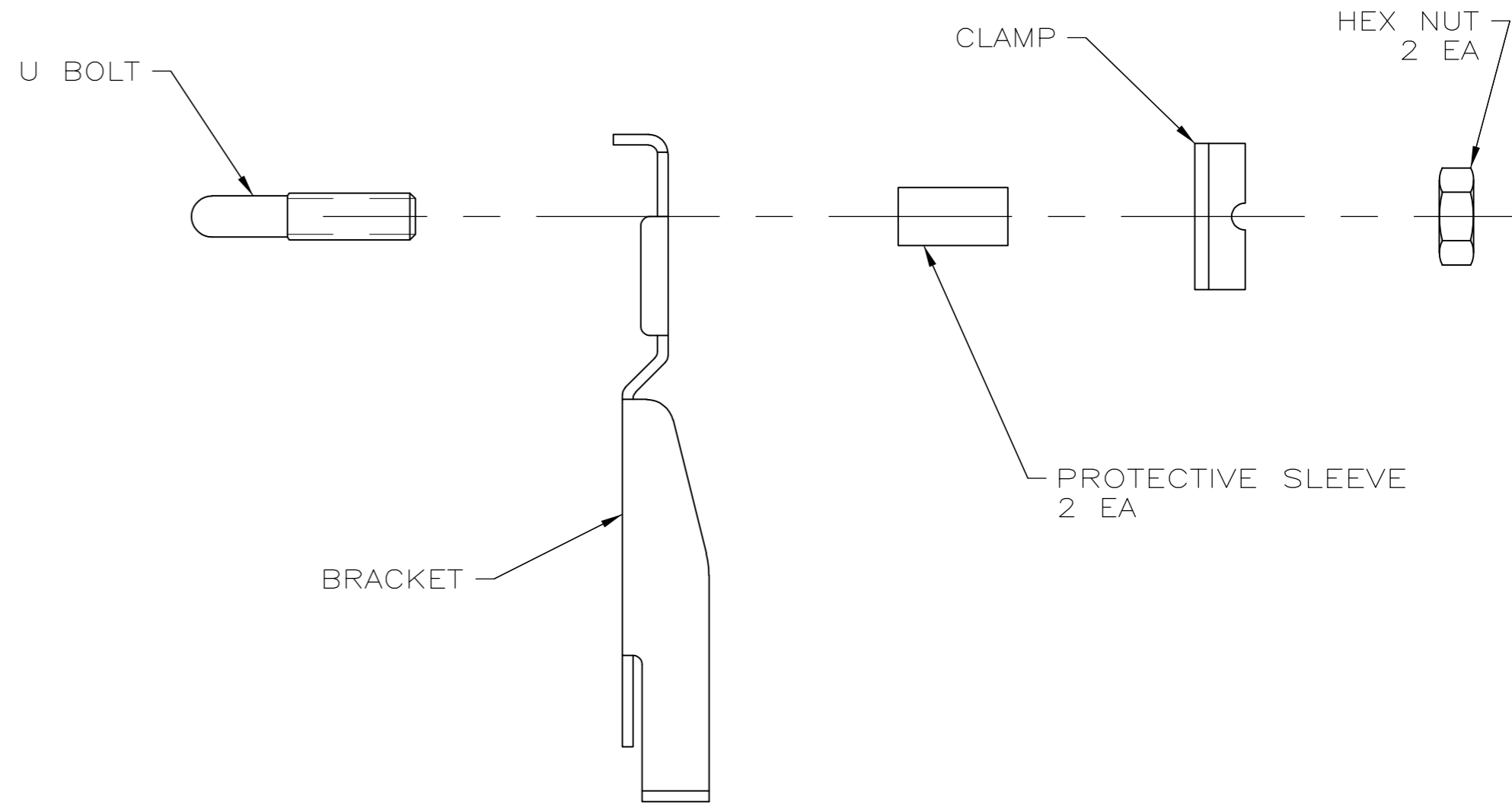
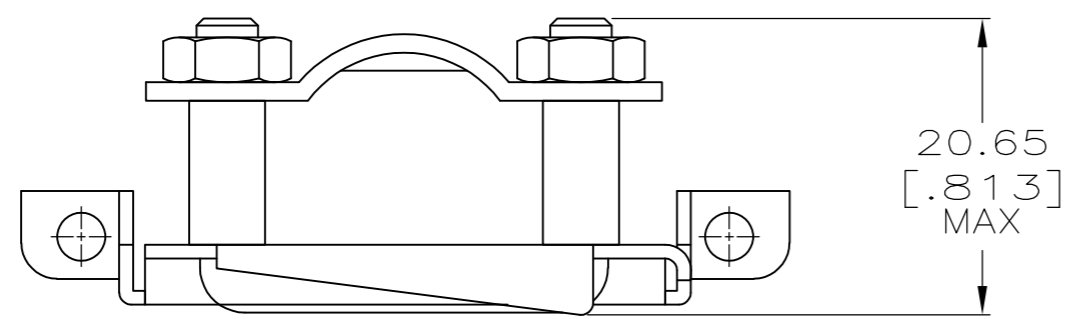


THIS DRAWING IS UNPUBLISHED. RELEASED FOR PUBLICATION
 © COPYRIGHT BY TYCO ELECTRONICS CORPORATION. ALL INTERNATIONAL RIGHTS RESERVED.

LOC	DIST	REVISIONS			
P	LTR	DESCRIPTION	DATE	DWN	APVD
FT	0				
	J	REVISED PER ECO-10-021995	12JAN11	HMR	MC



- 1 BRACKET, CLAMP & HEX NUTS: CARBON STEEL.
 U BOLT: STAINLESS STEEL.
 PROTECTIVE SLEEVES: POLYVINYL CHLORIDE.
- 2 BRACKET & CLAMP: 5.08um[.000200] MIN NICKEL.
 U BOLT: PASSIVATED.

SUPERSEDED BY 201846-5	201846-5
	201846-1
PART NUMBER	

THIS DRAWING IS A CONTROLLED DOCUMENT.		DWN C.REIFSNYDER 03 OCT 95	Tyco Electronics Corporation Harrisburg, PA 17105-3608	
DIMENSIONS: mm [INCHES]		CHK R.STONE 10 OCT 95		
TOLERANCES UNLESS OTHERWISE SPECIFIED:		APVD G.A.STEINHAUER 05 NOV 95	NAME CLAMP KIT, UNASSEMBLED, 34 PLACE, STRAIN RELIEF, M SERIES	
0 PLC ± - 1 PLC ± - 2 PLC ± 0.38[.015] 3 PLC ± - 4 PLC ± - ANGLES ± -		PRODUCT SPEC -	SIZE A2	CAGE CODE 00779
MATERIAL -		FINISH -	DRAWING NO C=201846	RESTRICTED TO -
CUSTOMER DRAWING			SCALE 2:1	SHEET 1 of 1
			REV J	

单击下面可查看定价，库存，交付和生命周期等信息

[>>TE Connectivity\(泰科\)](#)