

THIS DRAWING IS UNPUBLISHED.

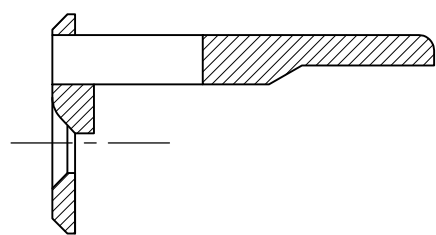
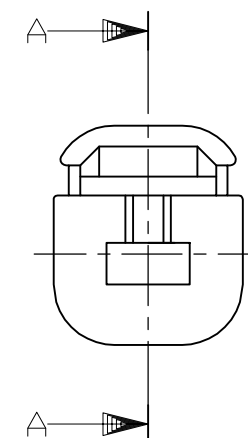
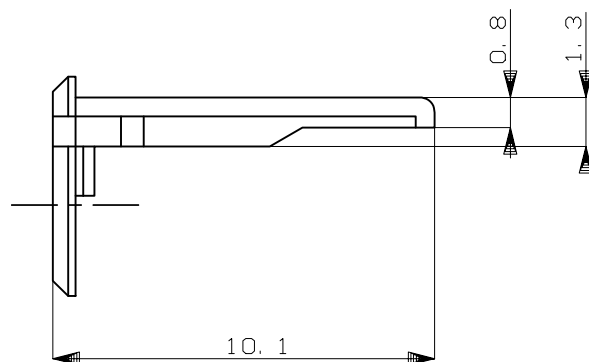
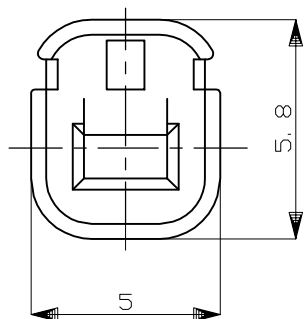
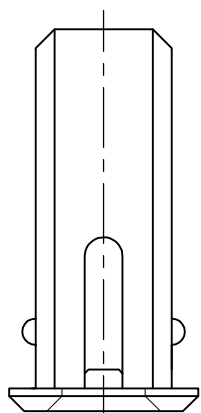
RELEASED FOR PUBLICATION

ALL RIGHTS RESERVED.

© COPYRIGHT - By -

REVISIONS

| P | LTR | DESCRIPTION | DATE | DWN | APVD |
|---|-----|-------------|---------------|-----------|-------|
| | A2 | REVISED | ECR-18-009736 | 22JUN2018 | TS HY |



SECTION 断面 A-A

1. 本品は、プラグハウジング型番174877及び2822388に装着される

1. TO BE MATED WITH PLUG HOUSING PART NUMBER 174877 AND 2822388

| | | |
|---------------------------------------|---------------|------------------|
| HB | 自然色 (NATURAL) | 1-174878-1 |
| V-2 | 黄 (YELLOW) | 174878-7 |
| 使用材料難燃グレード (FLAMMABILITY OF MATERIAL) | 色 (COLOR) | 型番 (PART NUMBER) |

| | | | | | |
|--|--|--------------------------|---|---------------------|-----------------|
| THIS DRAWING IS A CONTROLLED DOCUMENT. | | DWN K.ODA 10/19'87 | STE TE Connectivity Ltd. | | |
| DIMENSIONS: mm | | CHK Y.MATSUSAKA 10/20'87 | | | |
| TOLERANCES UNLESS OTHERWISE SPECIFIED: | | APVD M.NOGUCHI 10/20'87 | NAME 1P. ECONOSEAL J-MARKII+ CONNECTOR DOUBLE LOCK PLATE FOR PLUG HOUSING | | |
| 0 PLC ± - | | PRODUCT SPEC 108-5262 | SIZE A3 | | |
| 1 PLC ± - | | APPLICATION SPEC - | CAGE CODE 00779 | DRAWING NO C-174878 | RESTRICTED TO - |
| 2 PLC ± - | | WEIGHT 0.05 g | SCALE 5:1 | | |
| 3 PLC ± - | | MATERIAL PBT | SHEET 1 OF 1 | | |
| 4 PLC ± - | | | REV A2 | | |
| ANGLES ± - | | CUSTOMER DRAWING | | | |

GENERAL TOLERANCE

| | |
|--------------|---------|
| 0 < * ≤ 10 | : ±0.2 |
| 10 < * ≤ 30 | : ±0.25 |
| 30 < * ≤ 100 | : ±0.3 |
| ANGLES | : ±3° |

单击下面可查看定价，库存，交付和生命周期等信息

[>>TE Connectivity\(泰科\)](#)